

Round 3-pin Twist-Lock Photocontrol

Description

PC3UNDBU is a round 3-pin twistlock photocontrol suitable for any NEMA 3, 5 or 7-pin receptacle for on/off operation up to 750 watts. The 8-15 second turn OFF delay prevents false tripping due to car headlights or other intermittent light sources.

Features

- AC input voltage range: 120 - 277V @ 50/60Hz
- Low 0.7W power consumption
- Rated for -40°C to 80°C ambient temperatures
- 8-15 second turn OFF delay
- 10-20 lux turn ON
- 60-80 lux turn OFF
- Load rating: 750VA
- Fail OFF design
- Solid brass legs
- 0.070 inch (1.78mm) cover thickness
- Sealed relay
- Relay rated for over 5,000 cycles
- 50-piece carton quantity
- 5-year warranty



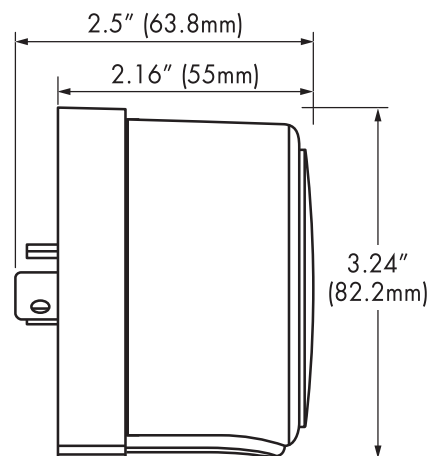
Listings

cULus Listed

Warranty

Five year limited warranty against defects in manufacturing.

Dimensions



For the most up-to-date specs and warranty information, please visit www.tpci.com