

Round 7-pin Twist-Lock Photocontrol

Description

PC7UDIMBU is a round 7-pin photocontrol suitable for use with a 5 or 7-pin photocontrol receptacle when wired to a 0-10VDC dimming driver or ballast. It is designed to maintain a constant light level throughout the night when the ambient light is below the turn ON level, increasing or decreasing dimming as the ambient light increases or decreases. A built-in 10 second delay prevents false triggering.

Features

- AC input voltage range: 120 - 277V @ 50/60Hz
- Low 1.2W power consumption
- Rated for -40°C to 70°C ambient temperatures
- 10 second time delay
- 50 lux turn ON
- 50 lux turn OFF
- Load rating: 1000W Tungsten, 1800VA Ballast, 5A e-Ballast
- 640 Joule MOV surge protection
- Fail OFF design
- Solid brass legs
- 0.10 inch (2.54mm) cover thickness
- Sealed relay
- Heavy-duty relay rated for over 15,000 cycles
- 50-piece carton quantity
- 5-year warranty



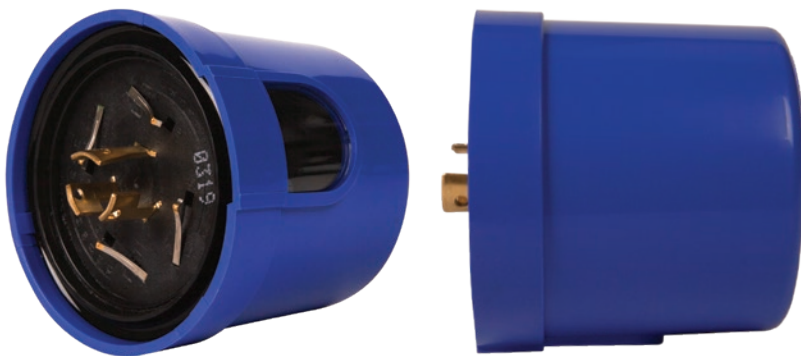
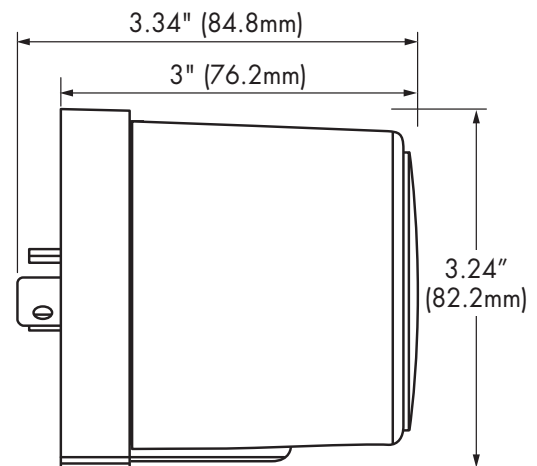
Listings

cULus Listed

Warranty

Five year limited warranty against defects in manufacturing.

Dimensions



For the most up-to-date specs and warranty information, please visit www.tcp.com