

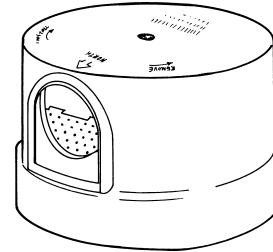
FLOODLIGHTING ACCESSORIES

REFER TO ACCESSORY INDEX TO MATCH ACCESSORY WITH PRODUCT.
ILLUSTRATIONS SHOWN ARE TYPICAL REPRESENTATIONS.

PHOTOELECTRIC CONTROL

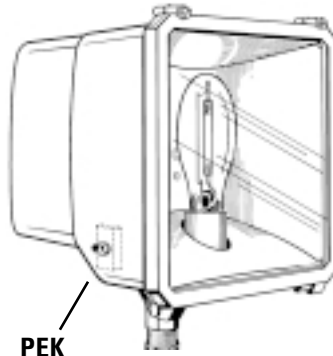
- **PEC0TL**
120, 208, 240, 277, 347 Multivolt Turn and Lock
- **PEC1TL**
120 volt Turn and Lock
- **PEC5TL**
480 volt Turn and Lock

PEC

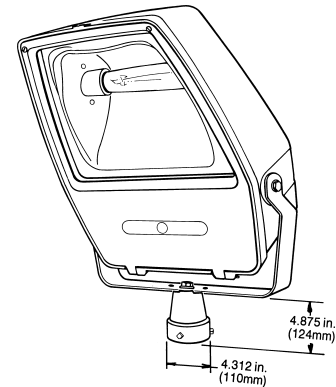


PHOTOELECTRIC CONTROL KIT

- **PEK-120**
120 volt-for field installation
- **PEK-240**
208 volt, 240 volt-for field installation
- **PEK-277**
277 volt-for field installation
- **PEK-347**
347 volt-for field installation

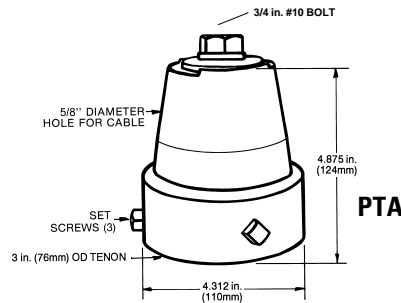


PEK



POLE TOP ADAPTER

- **PTADB-002**
Dark Bronze, for 3-inch (76mm) OD pipe
- **PTAGR-002**
Gray, for 3-inch (76mm) OD pipe

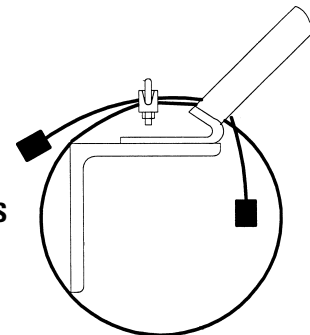


PTA

SAFETY CHAIN

- NEW** • **OSC-ULTS**
4 ft. (1.2 meters)
- NEW** • **OSC-ULTS001**
6 ft. (1.8 meters)

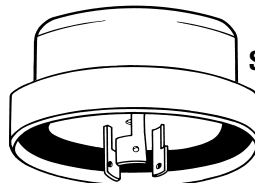
OSC-ULTS



SHORTING CAP

- **SCCL-PECTL**

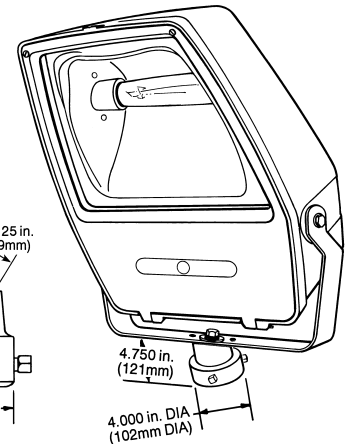
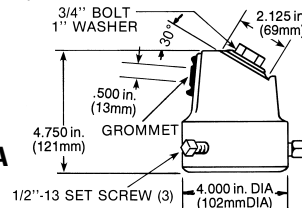
SCCL-PECTL



SLIPFITTER ADAPTER

- **SFADB-001**
Dark Bronze, cast aluminum slipfitter for 30-degree mounting of trunnion on 1-1/2 to 2-1/2 inch pipe (1.9 to 2.875-inch [48 to 73mm] OD)
- **SFAGR-001**
Gray, cast aluminum slipfitter for 30-degree mounting of trunnion on 1-1/2 to 2-1/2 inch pipe (1.9 to 2.875-inch [48 to 73mm] OD)

SFA



FLOODLIGHTING ACCESSORIES

REFER TO ACCESSORY INDEX TO MATCH ACCESSORY WITH PRODUCT.
ILLUSTRATIONS SHOWN ARE TYPICAL REPRESENTATIONS.

LEGEND: /////////////// = Accessory can be used.

	INDEX	PRODUCT											
	Ordering Number	Ultra★ Sport	Powr• Spot III	PF-1000	Glare- fighter	HLU/VLU	PF-400	PF-154	P-154	VPF/ MPF	SBF, SBN	QF1500	QF30, QF50
	SAFETY CHAIN												
NEW	OSC-ULTS	//////////	//////////										
NEW	OSC-ULTS001	//////////	//////////										
	SHORTING CAP												
	SCCL-PECTL			//////////	//////////	//////////	//////////	//////////	//////////				
	SLIPFITTER ADAPTER												
	SFADB-001	//////////	//////////	//////////	//////////	//////////	//////////	//////////	//////////				
	SFAGR-001	//////////	//////////	//////////	//////////	//////////	//////////	//////////	//////////				
	SWIVEL MOUNTING ADAPTER												
	SMADB-SBF								//////////	//////////	//////////	//////////	//////////
	SMAGR-SBF								//////////	//////////	//////////	//////////	//////////
	TRUNNION MOUNT												
	TMDB-QF50												//////////
	TMDB-QF1500											//////////	
	TMDB-SBF001									//////////			
	TMDB-SBF002									//////////			
	TMGR-SBF001									//////////			
	TMGR-SBF002									//////////			
	TOP AND TWO SIDES VISOR												
	TSVAL-PF1K			//////////									
	TSVDB-PF1K			//////////									
	TSVAL-PSFHD2		//////////										
	TSVAL-PSF0		//////////										
	TSVAL-P4F				//////////	//////////							
	TSVDB-P4F				//////////	//////////							
	TSVDB-PF1							//////////					
NEW	TSVDB-PF1001							//////////					
	TSVDB-P15								//////////				
	TSVDB-SBF									//////////			
	TSVAL-SBF001									//////////			
	TSVAL-VLU					//////////							
	TOP VISOR												
	TVAL-PF1K			//////////									
	TVDB-PF1K			//////////									
	TVAL-VLU					//////////							
	VANDAL SHIELD LUMINAIRE PROTECTOR												
	PPS-PF1							//////////					
	PPS-PF4				//////////	//////////							
	VERTICAL MOUNTING ADAPTER												
	VMA-001	//////////	//////////	//////////	//////////	//////////	//////////	//////////	//////////				
	VSA-001	//////////	//////////	//////////	//////////	//////////	//////////	//////////	//////////				
	WIRE GUARD												
	WG-PF1K			//////////									
	WG-P15								//////////				
	WG-P4F				//////////	//////////							
	WG-PF1							//////////					
	WG-PSF0		//////////										
	WG-PSFHD2		//////////										
	WG-VLU					//////////							
	WOOD/METAL POLE ADAPTER												
	WPA-001		//////////	//////////	//////////	//////////	//////////	//////////	//////////		//////////		
	WPB-002		//////////	//////////	//////////	//////////	//////////	//////////	//////////		//////////		