



PL-T Triple 4-Pin Base

PL-T ALTO 42W/835/4P A

Philips Linear Compact Fluorescent Lamps offer designers, specifiers and end-users new levels of efficiencies and versatility in sizes, configurations and application possibilities. With so many elegant fixtures available to complement their small size, high light output and advanced technology, Philips Energy Advantage lamps are fast becoming the preferred choice when maximum efficiency and sleek design solutions are required.

Product data

• General Characteristics

Base	GX24q-4
Base Information	4P
Life to 10% fail Preheat EL,3h	0 hr
Life to 10% fail Nonpreh EL,3h	0 hr
Rated Avg. Life	0 hr
Life to 50% fail Nonpreh EL,3h	0 hr
LSF HF Preheat 2000h Rated,3h	99 %
LSF HF Preheat 4000h Rated,3h	98 %
LSF HF Preheat 6000h Rated,3h	97 %
LSF HF Preheat 8000h Rated,3h	90 %
LSF HF Preheat 12000h Rated,3h	60 %

• Light Technical Characteristics

Color Code	835 [CCT of 3500K]
Color Rendering Index	82 Ra8
Color Designation	White
Color Temperature	3500 K
Luminous Flux EL 25°C, Rated	3050 Lm
Luminous Flux EL 25°C, Nominal	3200 Lm
Lum Efficacy Rated HF 25°C	80 (min) Lm/W
LLMF HF 2000h Rated	92 %

LLMF HF 4000h Rated	88 %
LLMF HF 6000h Rated	85 %
LLMF HF 8000h Rated	84 %
LLMF HF 12000h Rated	81 %
Design Temperature	28 C
Chromaticity Coordinate X	412 -
Chromaticity Coordinate Y	402 -

• Electrical Characteristics

Watts	42 W
Lamp Wattage EL 25°C, Rated	38.0 W
Lamp Wattage EL 25°C, Nominal	42 W
Lamp Voltage EL 25°C	124 V
Lamp Current EL 25°C	0.320 A
Dimmable	Yes

• Environmental Characteristics

Energy Efficiency Label (EEL)	B
Mercury (Hg) Content	1.4 mg

• Measuring Conditions

Calibration Current	0.320 A
---------------------	---------

PHILIPS

PL-T Triple 4-Pin Base

HF Generator Rated Voltage Resistor 270 V 420 ohm

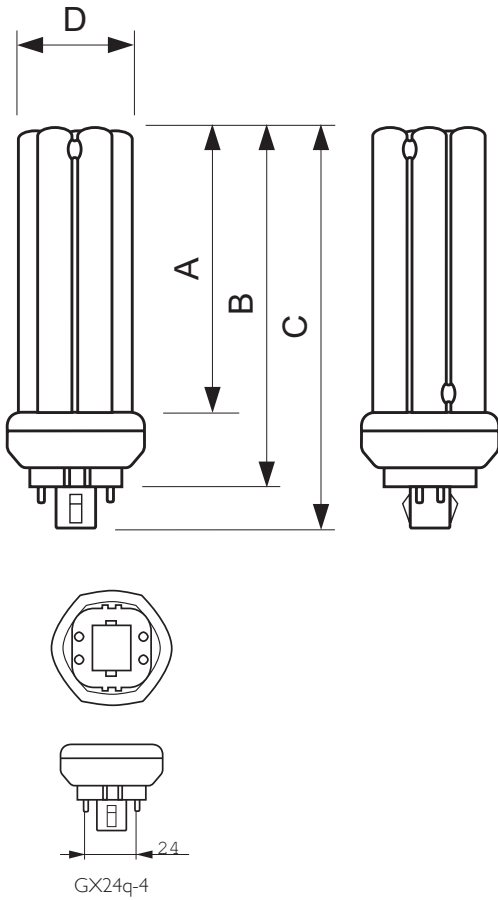
• Product Dimensions

Base Face to Base Face A 120.7 (max) mm
 Insertion Length B 145.0 (max) mm
 Overall Length C 160.7 (max) mm
 Diameter D 41 (max) mm

• Product Data

Product number 149021
 Full product name PL-T ALTO 42W/835/4P A
 Short product name PL-T 42W/835/4P/A/ALTO
 Pieces per Sku 1
 eop_pck_cfg 10
 Skus/Case 10
 Bar code on pack 46677149024
 Bar code on case 50046677149029
 Logistics code(s) 927911483520
 tpd_ilcos_cd FSM-42/35/1B-E-GX24q=4
 eop_net_weight_pp 83.000 gr

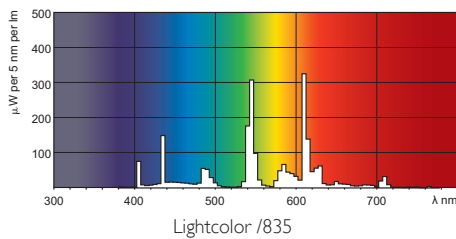
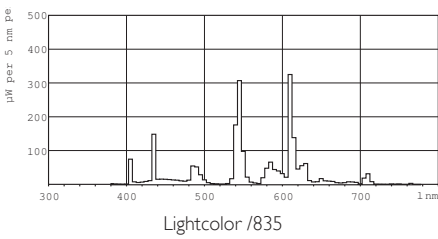
Dimensional drawing



PL-T ALTO 42W/835/4P A

Product	A (Max)	B (Max)	C (Max)	D (Max)
PL-T ALTO 42W/835/4P A	120.7	145.0	160.7	41

Photometric data





© 2014 Koninklijke Philips N.V. (Royal Philips)
All rights reserved.

Specifications are subject to change without notice. Trademarks are the property of Koninklijke Philips N.V. (Royal Philips) or their respective owners.

www.philips.com/lighting

2014, July 15
data subject to change