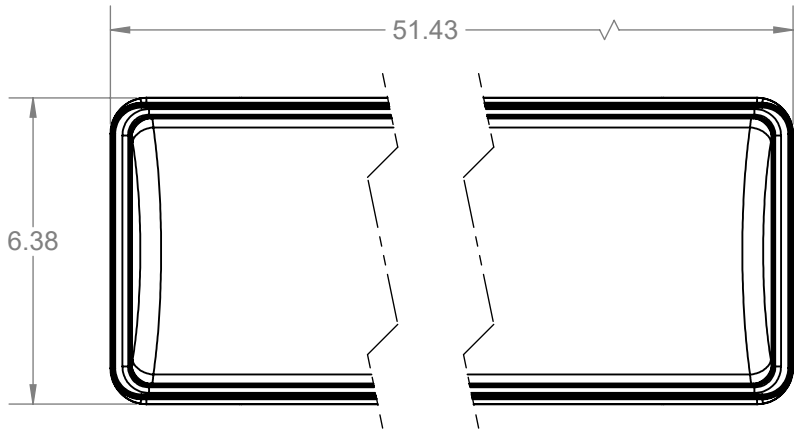
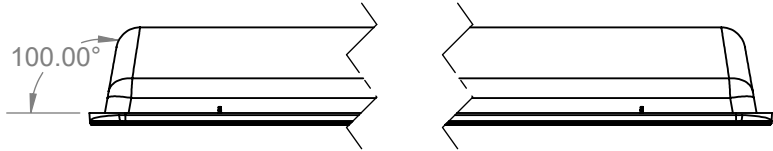
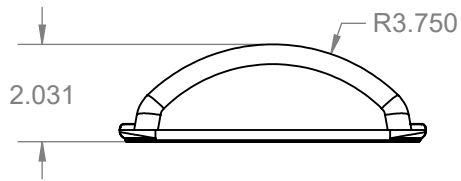


REVISIONS			
REV.	DESCRIPTION	DATE	APPROVED
0	For Production	4.14.15	CSO



UNLESS OTHERWISE SPECIFIED:

DIMENSIONS ARE IN INCHES
TOLERANCES AS NOTED
FRACTIONAL ± 1/16"
ANGULAR ± 1°
TWO PLACE DECIMAL ± .060
THREE PLACE DECIMAL ± .030

INTERPRET GEOMETRIC TOLERANCING PER:

	NAME	DATE
DRAWN	-	xx/xx/xx
CHECKED	-	xx/xx/xx
ENG APPR.	-	xx/xx/xx
MFG APPR.	-	xx/xx/xx
Q.A.	-	xx/xx/xx

COMMENTS:

....

The information contained in this document is the confidential property of Koller Enterprises Inc. This information is to be used by the recipient only for the purpose of which it has been provided by Koller. This document and any information contained therein may not be reproduced or made available to any third party without the written authorization of Koller. No tooling to produce the product which is the subject of this document can be made without written authorization from Koller. Recipient's acceptance of this document is an acknowledgement of agreement to these terms.



1400 South Old Highway 141
Fenton, MO. 63026

PH (636) 600-4084 FX (636) 600-4108
www.SLPlighting.com

Part Weight		Citadel 2 CT2-CIRA-2L4-FR50			
Material	.060"nom ACRYLIC				
Finish	FROSTED	SIZE A	Scale 1:4	SHEET 1 OF 1	REV. 0
Drawn By:	CSO	DATE :	4/14/2015	DWG. No.	CT2-CIRA-2L4