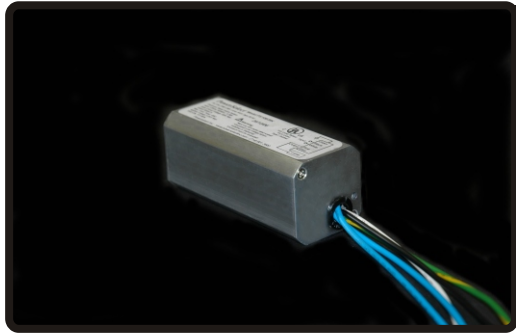


120Vac & 277V 20W/39W Mini Stick Electronic Metal Halide Ballast

Model PS10B20K & PS10B39K



INPUT SPECIFICATIONS

● Vac	95-135 Vac
● PS10B20K Amp's	0.20A @ 20W
● PS10B39K Amp's	0.35A @ 39W
● Frequency	50/60Hz
● THD	<10% (7% Typ.)
● Power Factor	>98%
● Vac	208-277 Vac
● PS10D20K Amp's	0.09A @ 20W
● PS10D39K Amp's	0.15A @ 39W
● Frequency	50/60Hz
● THD	<15% (11% Typ.)
● Power Factor	>96%

Model PS10D20K & PS10D39K



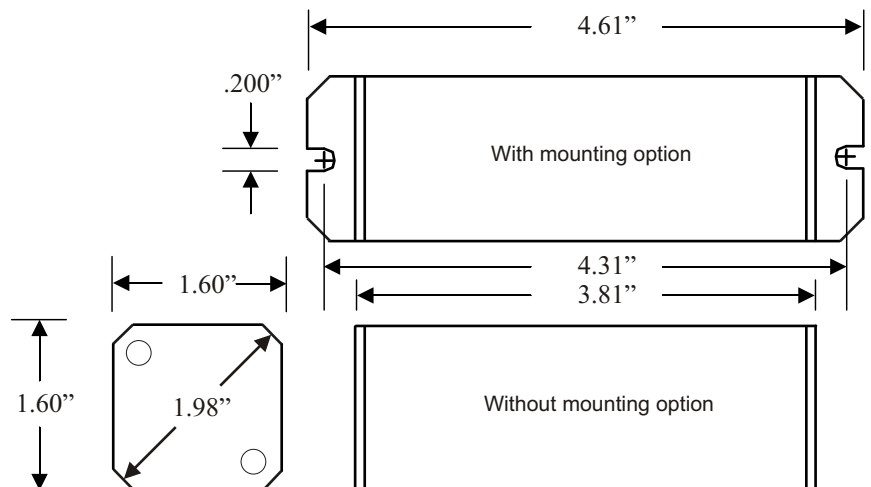
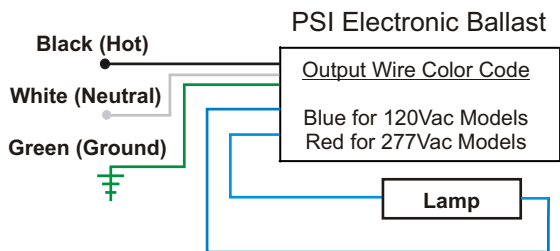
OUTPUT SPECIFICATIONS

● PS10B20K, PS10D20K Lamp Power	20W +/- 2%
● PS10B39K, PS10D39K Lamp Power	39W +/- 2%
● Lamp Drive Frequency	150Hz +/-10%
● Lamp Current Crest Factor	<1.2
● Open Circuit Voltage	>300V Square Wave
● Ignitor Voltage @ Ballast Leads	>3.8KV
● Ignition Failure Timeout	30 Min. Shutdown
● Maximum distance from Ballast	2.5M or (8.2 feet) Max.
● Compatible 39W ANSI Lamp Types	M130
● Compatible 20W ANSI Lamp Types	M156

MECHANICAL / ENVIRONMENTAL

- Enclosure Overall Dimensions 'both Models'
- Unit Weight
- Operating Temperature
- EMI / RFI Compliance
- Sound Rating
- UL / CUL Listed
- Warranty up to 5 years.

3.81" L x 1.60" W x 1.60" H 'Also available with Feet'
 16.8oz.
 Min. Temp -30°C - Max. Temp 90°C
 FCC Part 18
 Rated 'A'
 File #E173598



PowerSelect Inc.

Tel: (714) 901-3900 Fax: (714) 901-0026
 E-mail - sales@powerselectinc.com

PSI reserves the right to modify any specifications without notice.. Revised 01-17-08