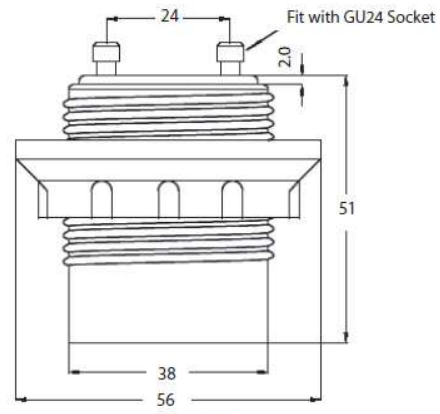




Q-03AR & Q-04AR

- Q-03AR is for 13W G24-q1 or GX24-q1 base lamps.
- 120V, 60Hz, 0.17A.
- outer threaded body which can secure shade using plastic ring provided.



Drawing for Q-03AR Q-04AR

- Q-04AR is for 18W G24-q2 or GX24-q2 base lamps.
- 120V, 60Hz, 0.23A.
- outer threaded body which can secure shade using plastic ring provided.