

REVISIONS		
REV	DESCRIPTION	DATE
D0	CHANGED PER ECN 19-001	04/25/2019
C0	CHANGED PER ECN 18-007	09/10/2018
B0	CHANGED PER ECN 18-004	06/12/2018
A0	RELEASE TO PRODUCTION	03/07/2018

SAFETY STANDARDS COMPLIANCE:
 EN61347-1, EN61347-2-13
 ANSI C82.77-10-2014
 UL1310, CLASS 2
 UL8750

SAFETY CERTIFICATIONS
 UL, cUL E357847
 LVD pending
 EMC dir pending

EMI STANDARDS:
 FCC 47 CFR PART 15 CLASS B
 EN55015, EN61000, EN61547

SAFETY

INPUT RANGE:
 110 - 277 VAC,
 1.10-0.43 A @ FULL LOAD.

THD: <20%.

FREQUENCY: 50 / 60 Hz.
EFFICIENCY: 80 % Typ.

POWER FACTOR: >0.9

PEAK INRUSH:
 7A, 45µsec, 2.18x10⁻³ A²sec @120Vac
 22A, 31µsec, 1.5x10⁻² A²sec @277Vac

LEAKAGE CURRENT:
 < 0.5mA @277VAC
Surge Immunity: 4KVac

INPUT

LOAD CAPACITY:		60 WATTS		LOAD REG		MAX. RIP	
OUTPUT	MIN	MAX					
+12V	3.3	AMPS	5.0	AMPS	+5%/ -5%	120mV	p/p

OUTPUT

COOLING: CONVECTION

NOISE LEVEL: 24 dB @ 1ft.

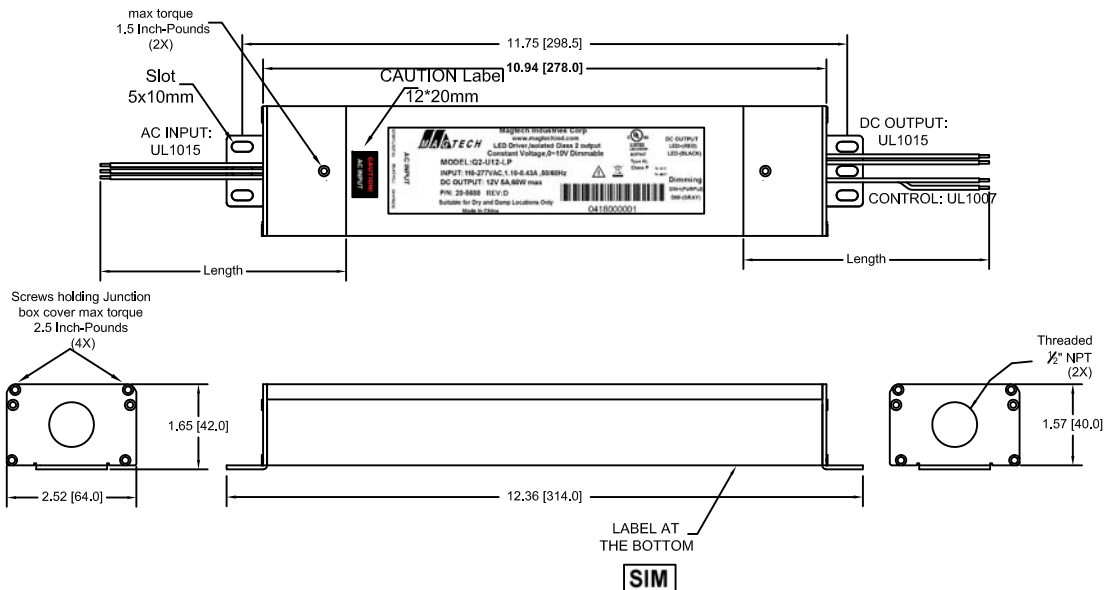
RELIABILITY (MTBF): (MIL-HDBK-217E)
 50,000 HRS. @ 25 DEG. C @ FULL LOAD

ENVIRONMENTAL CONDITIONS:
 LOWEST OPERATING TEMPERATURE: -40°C: Tc=90°C
 RELATIVE HUMIDITY: 5 ~ 95%
 FOR DRY AND DAMP LOCATIONS

CONNECTOR:
 N/A

MISCELLANEOUS

PF, THD AND EFFICIENCY CALCULATIONS ARE BASED ON THE LOADING OF THE DRIVER TO MINIMUM 65% AND MAXIMUM 100% OF 60W



MAGTECH Magtech Industries Corp
 www.magtechind.com
 LED Driver, Isolated Class 2 output
 Constant Voltage, 0~10V Dimmable

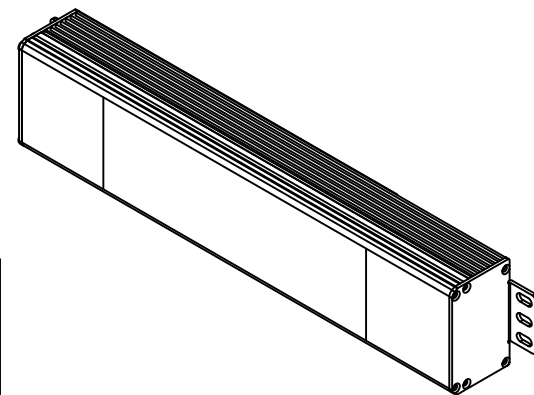
MODEL: Q2-U12-LP
 INPUT: 110-277VAC, 1.10-0.43A, 50/60Hz
 DC OUTPUT: 12V 5A, 60W max
 P/N: 20-5688 REV: D
 Suitable for Dry and Damp Locations Only
 Made in China

UL LISTED LED DRIVER E357847 Type HL Class P
 DC OUTPUT LED+(RED) LED-(BLACK)
 Dimming DIM+(PURPLE) DIM-(GRAY)

0418000001

CAUTION!
AC INPUT

CAUTION Label
 12*20mm



CON	PIN	COLOR	OUTPUT	AWG	LENGTH
AC IN	-	GRN/YLW	FG	18	6.5 [165] ±0.5 [±13]
	-	BLACK	LINE	18	
	-	WHITE	NEUTRAL	18	
DC OUT	-	RED	+V	18	
	-	BLACK	GND	18	
DIM CNTL	-	PURPLE	DIM+	20	
	-	GRAY	DIM-	20	

MANUFACTURED BY:

THIS ITEM IS THE PROPERTY OF MAGTECH INDUSTRIES AND CONTAINS PROPRIETARY CONFIDENTIAL AND TRADE SECRET INFORMATION. THE INFORMATION CONTAINED HEREIN MUST NOT BE USED, DISCLOSED OR REPRODUCED IN WHOLE OR IN PART WITHOUT PRIOR WRITTEN CONSENT FROM MAGTECH INC.

UNLESS OTHERWISE SPECIFIED:
 DIMENSIONS IN INCHES (MM)
 TOLERANCES:
 .X DECIMALS ±.05 (1.3)
 .XX DECIMALS ±.02 (0.5)
 .XXX DECIMALS ±.005 (0.13)
 ANGLES ± 1°
 FRACTIONS ± 1/16

QC:

MAGTECH

TITLE: Q2-U12-LP, 110-277VAC, 12V, 5A, DIM B

DO NOT SCALE THIS DRAWING APPROVAL DATE: 04/26/2018 MODEL NO. DWG NO. REV. DO SH OF
 INTERPRET DRAWING PER ANS I Y14.5M EFFECTIVE DATE: 03/07/2018 Q2-U12-LP M20-5688 1 1