

REVISIONS		
REV	DESCRIPTION	DATE
D1	CORRECT MODEL NUMBER ON DRAWING	04/26/2021
C0	CHANGED PER ECN 19-001	01/24/2019
C0	CHANGED PER ECN 18-007	09/11/2018
B0	CHANGED PER ECN 18-004	06/13/2018
A0	RELEASE TO PRODUCTION	02/08/2016

SAFETY STANDARDS COMPLIANCE:
 EN61347-1, EN61347-2-13
 ANSI C82.77-10-2014
 UL1310, CLASS 2
 UL8750

SAFETY CERTIFICATIONS
 UL, cUL E357847
 LVD pending
 EMC dir pending

EMI STANDARDS:
 FCC 47 CFR PART 15 CLASS B
 EN55015, EN61000, EN61547

SAFETY

INPUT RANGE:
 110 - 277 VAC,
 1.10-0.43 A @ FULL LOAD.

THD: <20%.

FREQUENCY: 50 / 60 Hz.
EFFICIENCY: 80 % Typ.

POWER FACTOR: >0.9

PEAK INRUSH:
 7A, 45µsec, 2.18x10⁻³A²sec @120Vac
 22A, 31µsec, 1.5x10⁻²A²sec @277Vac

LEAKAGE CURRENT:
 < 0.5mA @277VAC
Surge Immunity: 4KVac

INPUT

LOAD CAPACITY: 60 WATTS

OUTPUT	MIN	MAX	LOAD REG	MAX. RIP
+12V	3.3 AMPS	5.0 AMPS	+5%/ -5%	120mV p/p

OUTPUT

COOLING: CONVECTION

NOISE LEVEL: 24 dB @ 1ft.

RELIABILITY (MTBF): (MIL-HDBK-217E)
 50,000 HRS. @ 25 DEG. C @ FULL LOAD

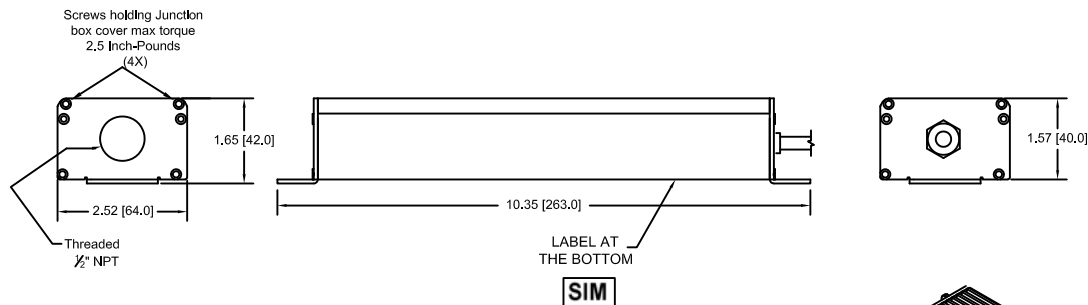
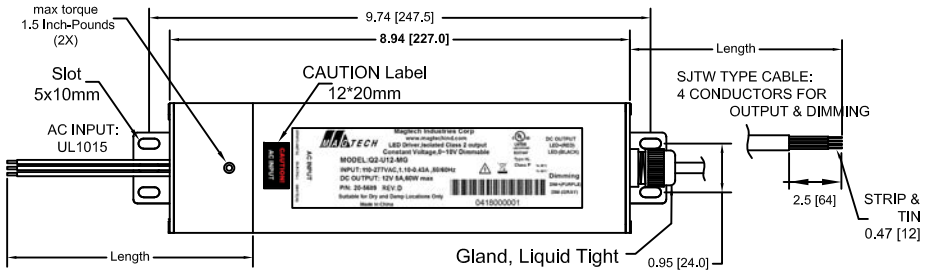
ENVIRONMENTAL CONDITIONS:

LOWEST OPERATING TEMPERATURE: -40°C: Tc=90°C
 RELATIVE HUMIDITY: 5 ~ 95%
 FOR DRY, DAMP AND WET LOCATIONS

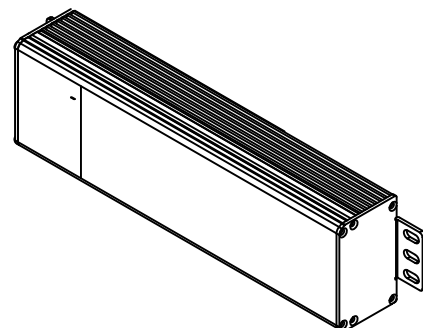
CONNECTOR:
 N/A

MISCELLANEOUS

PF, THD AND EFFICIENCY CALCULATIONS ARE BASED ON THE LOADING OF THE DRIVER TO MINIMUM 65% AND MAXIMUM 100% OF 60W



CAUTION Label
12*20mm



CON	PIN	COLOR	OUTPUT	AWG	LENGTH
AC IN	--	GRN/YLW	FG	18	6.5 [165]
	--	BLACK	LINE	18	±0.5 [±13]
	--	WHITE	NEUTRAL	18	
DC OUT	--	RED	+V	18	12.5 [318]
	--	BLACK	GND	18	
DIM CNTL	--	PURPLE	DIM+	20	±0.5 [±13]
	--	GRAY	DIM-	20	

Notes:

- 1.- 5 yrs warr provided Tc point remains below 75°C
- 2.- Transformer - Class 130 (B), Insulation system
- 3.- Add installation instruction sheet (P/N 77-0130) inside of each individual box
- 4.- Dimming: 0-10V Dimming, driver will not dim to off
Minimum dimming to 1% (the actual dimming level vary based on dimmer used)
- 5.- Driver UL Listed, Type HL, Class P
- 6.- Protection: OTP, OCP, SCP, OVP, AUTO-RECOVERY

MANUFACTURED BY:

THIS ITEM IS THE PROPERTY OF MAGTECH INDUSTRIES AND CONTAINS PROPRIETARY CONFIDENTIAL AND TRADE SECRET INFORMATION. THE INFORMATION CONTAINED HEREIN MUST NOT BE USED, DISCLOSED OR REPRODUCED IN WHOLE OR IN PART WITHOUT PRIOR WRITTEN CONSENT FROM MAGTECH IND.

UNLESS OTHERWISE SPECIFIED DIMENSIONS IN INCHES (MM) TOLERANCES: .X DECIMALS ± .05 (1.3) .XX DECIMALS ± .02 (0.5) .XXX DECIMALS ± .005 (0.13) ANGLES ± 1° FRACTIONS ± 1/16	QC:			
DO NOT SCALE THIS DRAWING INTERPRET DRAWING PER ANSI Y14.5M	TITLE: Q2-U12-MG, 110-277VAC, 12V, 5A, DIM B			
APPROVAL DATE: 04/26/2018	MODEL NO. Q2-U12-MG	DWG NO. M20-5689	REV. D1	SH OF 1 1
EFFECTIVE DATE: 02/08/2018				