



Quantum Family - Q58 Series

Part # Reference List

Part Number	Model Number	General Characteristics					Mechanical Package	Features
		Base Model	Operating Mode	Output Voltage	Output Current	Output Power		
20-5503	Q58-U24-C2100-XP	Q58	CC	19-24V	2100mA	60-Watts	Butter Stick	0-10V Dimming
20-5577	Q58-U42-C1400-XM	Q58	CC	28-42V	1400mA	60-Watts	Stud Mount	0-10V Dimming
20-5537	Q58-U42-C1500-XP	Q58	CC	27-40V	1500mA	60-Watts	Butter Stick	0-10V Dimming
20-5523	Q58-U48-C1100-XP	Q58	CC	35-48V	1100mA	60-Watts	Butter Stick	0-10V Dimming
20-5547	Q58-U54-C1050-XP	Q58	CC	34-54V	1050mA	60-Watts	Butter Stick	0-10V Dimming

Model Number Structure:

Q 58 - U 48 - C 1100 - XP iPOP

1. 2. - 3. 4. - 5. 6. - 7. 8.

- 1. Product Family:** Q = Quantum Family
- 2. Output Power:** 58 = 60 Watts Max
- 3. Input Voltage:** U = 100-277VAC
- 4. Output Voltage:** 24, 30, 36, 42, 48, 54, & 72VDC
- 5. Operating Mode:** C = Constant Current, Blank = Constant Voltage
- 6. Output Current:** 1100 = 700mA
- 7. Mechanical Package:** XM = Metal, XP = Plastic, ZM = ZigBee Metal
- 8. Additional Features:** iPOP®, ZigBee, 3.3V, Non-Dimming

Important Notes:

- A This list intended as a Part Number Reference List as such is for reference use only. New part numbers are added on a continuous basis.
- B In the event the model # or characteristics you are looking are not found on this part# list please contact your Magtech Sales Application Manager at 702-364-9998 for immediate assistance. Standard part number or semi-custom solutions may be available to meet your needs.
- C **Output Power:** Is the maximum driver Output Power Rating as defined per our UL certification.
- D **Mechanical Package:** Please refer to the Case Drawings located in the Product Documentation section of the Technical Library.
- E **Standard Features:**
 - 0-10V Dimming** = 4+ 1 DC Dimming
 - 1 Sinking
 - 2 Sourcing
 - 3 Potentiometer
 - 4 PWM
 - +1 Enable: Logic ON/Off

iPOP® = Intelligently Programmable Output Power via NFC Wireless Programmability

Magtech, "The Power to Drive Green Innovations"

REVISIONS		
REV	DESCRIPTION	DATE
A1	CHANGED PER ECN 16-017	12/12/2016
A0	RELEASE TO PRODUCTION	07/17/2015

SAFETY CERTIFICATIONS
 UL E357847
 cUL E357847
 LVD
 16KWS070512D
 EMC DIRECTIVE
 17KWE074907E

SAFETY STANDARDS COMPLIANCE:
 UL8750
 UL1310

LVD EN61347-2-13
 EMI STANDARDS:
 FCC 47 CFR PART 15 CLASS B
 CE EN55015, EN61547
 EN61000-4-2,3,4,5,6,8,11

INPUT RANGE:
 110 - 277 VAC
 0.75 - 0.27 A @ FULL LOAD.

FREQUENCY: 50 / 60 Hz. **POWER FACTOR:** >0.9
EFFICIENCY: 85 % Typ. **LEAKAGE CURRENT:**

PEAK INRUSH: 0.5mA Max.
 8 AMPS @ 115V AC
 16 AMPS @ 230V AC

LOAD CAPACITY:	60 WATTS
OUTPUT MIN	MAX
1400mA	28 Volts
42 Volts	LOAD REG ±5%
	MAX. RIP 5%

COOLING: CONVECTION
NOISE LEVEL: 0 dB

PROTECTION:
 OCP,SCP,OLP,OVP
 AUTO-RECOVERY

RELIABILITY (MTBF): (MIL-HDBK-217E)
 100,000 HRS. @ 25 °C @ FULL LOAD

ENVIRONMENTAL CONDITIONS:
 OPERATING TEMPERATURE: -20 ~ 50°C
 RELATIVE HUMIDITY: 5 ~ 95% (NON CONDENSING)
 LOCATION: DRY AND DAMP USE ONLY

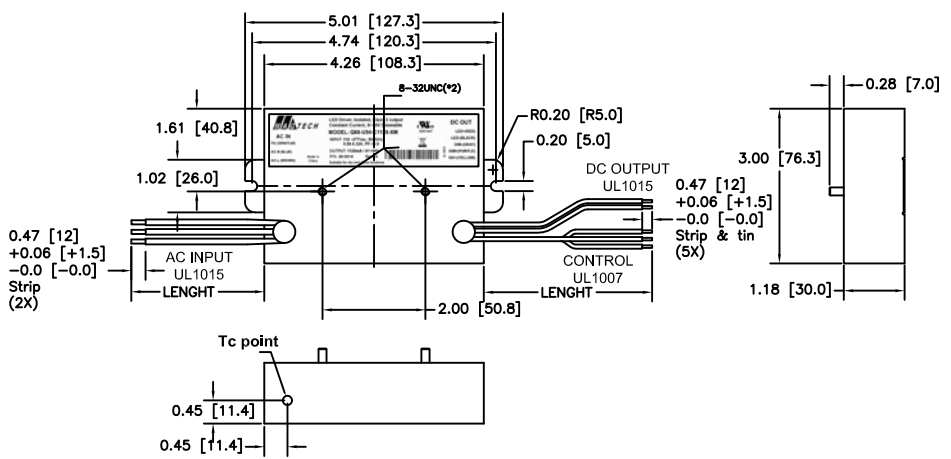
CONNECTOR:
 N/A

SAFETY

INPUT

OUTPUT

MISCELLANEOUS



DC OUT LED Driver, Isolated, Class 2 output Constant Current, 0~10V Dimmable
MODEL: Q58-U42-C1400-XM

RoHS

MAGTECH

AC IN
 FG (GRN/YLW)
 AC-N (BLUE)
 AC-L (BROWN)

INPUT: 110~277Vac, 50/60Hz
 0.75-0.27A, PF:>0.9

OUTPUT: 1400mA / 28~42V
 P/N: 20-5577 Rev: A

0-10V DIM+(PURPLE)
 10V+(YELLOW)

CE

MADE IN CHINA

Label on the opposite side

MAGTECH LED Driver, Isolated, Class 2 output Constant Current, 0~10V Dimmable
MODEL: Q58-U42-C1400-XM

RoHS

MAGTECH

DC OUT
 LED+(RED)
 LED-(BLACK)
 DIM-(GRAY)
 DIM+(PURPLE)
 10V+(YELLOW)

AC IN
 FG (GRN/YLW)
 AC-N (BLUE)
 AC-L (BROWN)

INPUT: 110~277Vac, 50/60Hz
 0.75-0.27A, PF:>0.9

OUTPUT: 1400mA, 28~42V
 P/N: 20-5577 Rev: A

0-10V DIM+(PURPLE)
 10V+(YELLOW)

CE

MADE IN CHINA

Label on the studs side

CON	PIN	COLOR	OUTPUT	AWG	LENGTH
AC IN	---	(GRN/YLW)	FG	18	6.5 [165] ±0.5 [±13]
	---	BROWN	LINE	18	
	---	BLUE	NEUTRAL	18	
DC OUT	---	RED	+V	18	
	---	BLACK	GND	18	
DIM CNTL	---	YELLOW	+10V OUT	20	
	---	PURPLE	DIM+	20	
---	GRAY	DIM-	20		

- Notes:
- 1.- Magtech provides 3 years warranty (standard)
 - 2.- Bar code defined by drawing 77-0120.
 - 3.- Transformer - Rated Class 130 (B) insulation system
 - 4.- Dimming: 0-10V Dimming.

MANUFACTURED BY: ES

THIS ITEM IS THE PROPERTY OF MAGTECH INDUSTRIES AND CONTAINS PROPRIETARY CONFIDENTIAL AND TRADE SECRET INFORMATION. THE INFORMATION CONTAINED HEREIN MUST NOT BE USED, DISCLOSED OR REPRODUCED IN WHOLE OR IN PART WITHOUT PRIOR WRITTEN CONSENT FROM MAGTECH INC.

MAGTECH

TITLE:
 Q58-U42-C1400-XM, 110~277VAC, 1400mA, 28~42V

DO NOT SCALE THIS DRAWING
 INTERPRET DRAWING PER ANSI Y14.5M

APPROVAL DATE: ????

EFFECTIVE DATE: 07/17/2015

MODEL NO.
 Q58-U42-C1400-XM

DWG NO.
 M20-5577

REV. A1

SH OF
 1 1