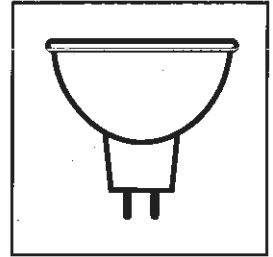


LAMP BASE:
GX-5.3

(ROUND PINS)
GX-5.3



**LOW VOLTAGE
HALOGEN LAMPHOLDER**

QLV-1



The QLV-1 Low Voltage Lampholder is designed to the ANSI Codes and International Standards. Lampholders are UL and CSA recognized.

For MR-16 Reflector Lamps with Round Pins.

Features:

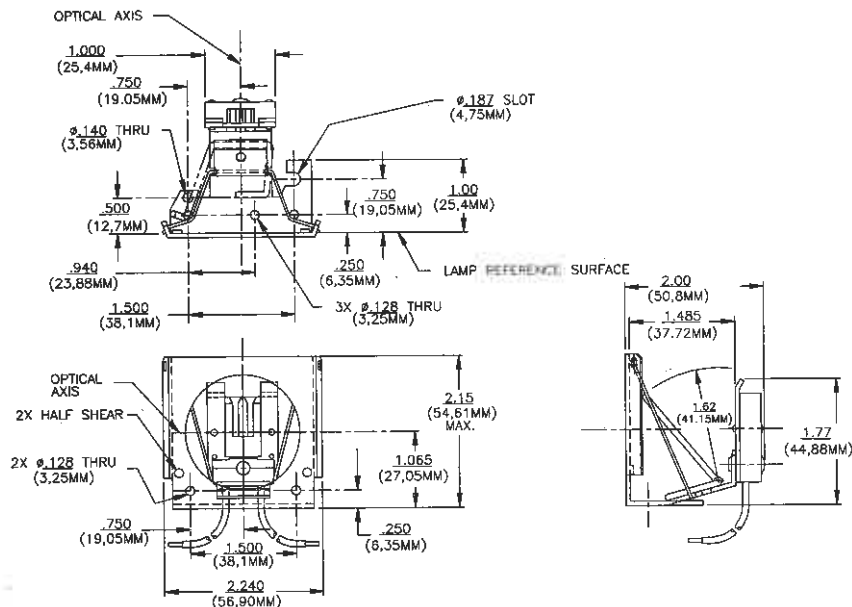
Ratings: Volts 60
Amps 12
Watts 400
Temp 250°C (on socket parts)

Lead Wire: 200°C SF1 (Standard)
#18 ga. 250°C PTFE (Special)

Construction: Steatite Body
Silver Plated Brass Contacts
(Standard)
Nickel Plated Contacts Available
Stainless Steel Contact Springs
Nickel Plated Steel Housing
Bright Finish Retaining Spring

QLV-1

Note: For 100 watts and greater, ample convection or forced air flow is required to prevent socket damage. Lamp Pins should not exceed 225°C to prevent lamp failure. Consult factory for assistance.



QLV-1