

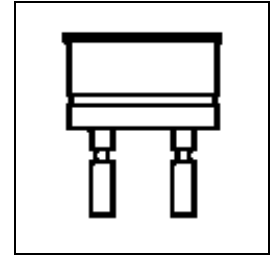
**PULSE RATED
METAL HALIDE LAMPHOLDER**



BE-ORG-22

**LAMP BASE:
G-22**

MEDIUM BI POST
G-22



BE-ORG-22

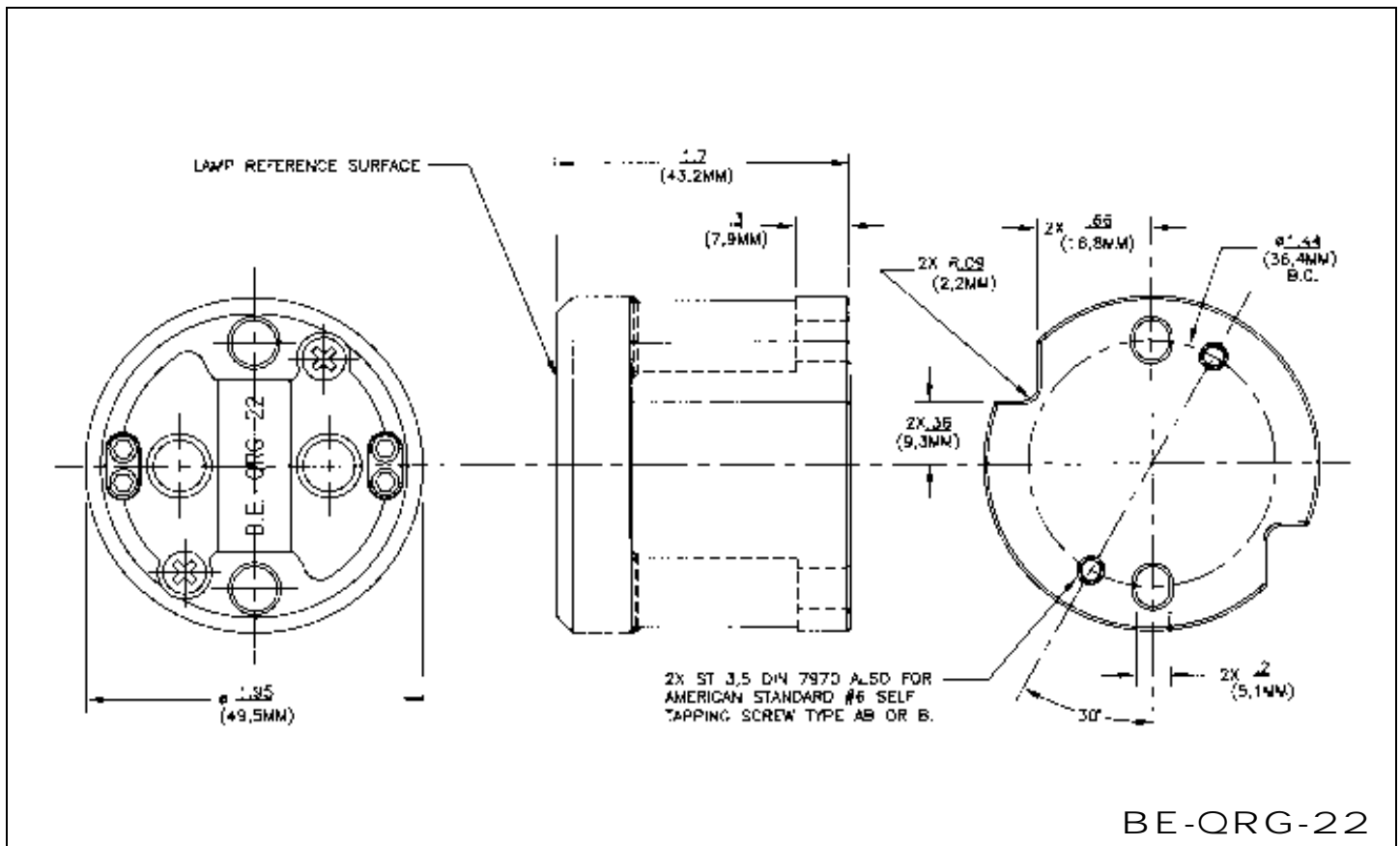
The BE-ORG-22 Lampholder is for **HOT-RESTRIKE** Metal Halide Lamps. Lampholders are UL recognized.

Features:

Ratings: Volts 1000
Pulse Rated 35K Volts
Amps 20
Temp 350°C

Terminal Connectors: 8-16 AWG

Weight: 6.5 oz.



BE-ORG-22