

SP4856B1

Ballast Type: Electromagnetic
 Input Voltage: 120VAC +5%,-10%
 Input Frequency: 50-60Hz

Starting Method: Preheat Start
 Lamp Connection: Series

Unit Color: Raw
 Unit Weight: 0.70 lbs.

ELECTRICAL SPECIFICATIONS:

| Line Voltage (V) | Lamp Type | Lamp Watts | No. of Lamps | Line Current (A) | Input Power (W) | Power Factor | Max Current THD (%) | Current Crest Factor | Ballast Factor | Wiring Diagram |
|------------------|-----------|------------|--------------|------------------|-----------------|--------------|---------------------|----------------------|----------------|----------------|
| 120 | F8T5* | 8 | 1 | 0.15 | 9 | ≥ 0.50 | ≤ 10 | ≤ 1.7 | 1.00 | 001 |
| 120 | F6T5 | 6 | 1 | 0.16 | 9 | ≥ 0.45 | ≤ 10 | ≤ 1.7 | 1.00 | 001 |
| 120 | F4T5 | 4 | 1 | 0.17 | 8 | ≥ 0.40 | ≤ 10 | ≤ 1.7 | 1.00 | 001 |
| 120 | CFT9W/G23 | 9 | 1 | 0.18 | 11 | ≥ 0.52 | ≤ 15 | ≤ 1.7 | 0.95 | 101 |
| 120 | CFT7W/G23 | 7 | 1 | 0.15 | 11 | ≥ 0.50 | ≤ 15 | ≤ 1.7 | 0.90 | 101 |
| | | | | | | | | | | |
| | | | | | | | | | | |
| | | | | | | | | | | |
| | | | | | | | | | | |
| | | | | | | | | | | |
| | | | | | | | | | | |
| | | | | | | | | | | |
| | | | | | | | | | | |

* Primary Lamp Type

PERFORMANCE:

- Electromagnetic Reactor Type Ballast
- Preheat Start
- Series Operation
- Normal Power Factor
- Normal Ballast Factor
- Clamped Core and Coil
- Sound Rated A
- Meets ANSI Standard C82.1 for Ballast Requirements

APPLICATION:

- Maximum Case Temperature: 194°F/90°C
- Maximum Ambient Temperature: 104°F/40°C
- Minimum Starting Temperature for Linear: 50°F/10°C
- Minimum Starting Temperature for CFL: 0°F/-18°C
- Remote Mounting: 10 ft. Max. Lead Length, 18AWG
- Class B Insulation System: 130°C

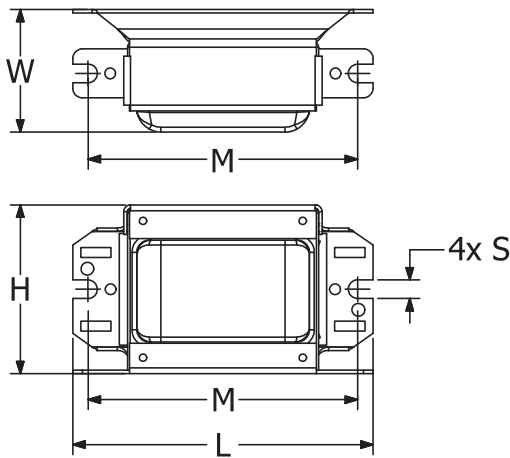
SAFETY/STANDARDS:

- No PCB's
- RoHS Compliant

SKU INFORMATION:

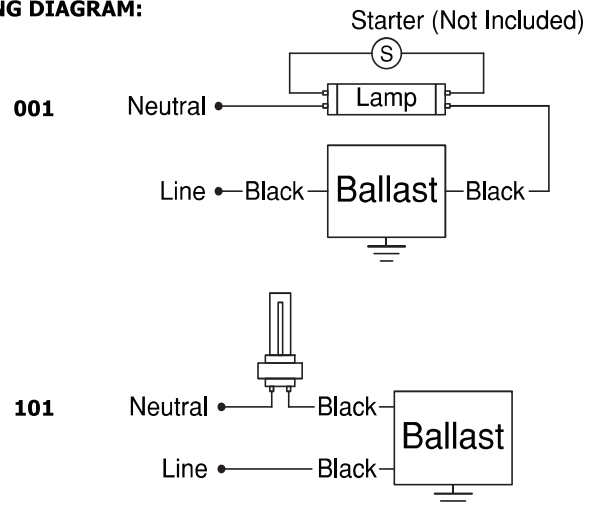
- 3P10089 (Version 1 - Leads Out One End)

CASE STYLE: 2



| L | W | H | M | S |
|---------|---------|---------|---------|---------|
| 3 1/16 | 1 2/8 | 1 12/16 | 2 12/16 | 3/16 |
| 3.07 | 1.25 | 1.72 | 2.75 | 0.19 |
| 7.78 cm | 3.18 cm | 4.34 cm | 6.99 cm | 0.47 cm |

WIRING DIAGRAM:



- Ballast lead connections are interchangeable.
- Black: (2) 16.50"
 - Tolerance: ± 0.50
 - Strip: 0.375" ± 0.060

WARRANTY:

Robertson Worldwide warrants to the purchaser that this ballast will be free from defects in material or workmanship for a period of 2 years from date of manufacture when properly installed and under normal condition of use. For more information on Robertson Worldwide ballasts, visit www.robertsonlighting.com Specifications subject to change without notice.