

# Indoor Modular Driver



## GED90MCRP1750

Description: Modular Class2 PSU

Input Voltage: 120V-277V  $\pm$ 10%

Input Frequency: 50/60Hz

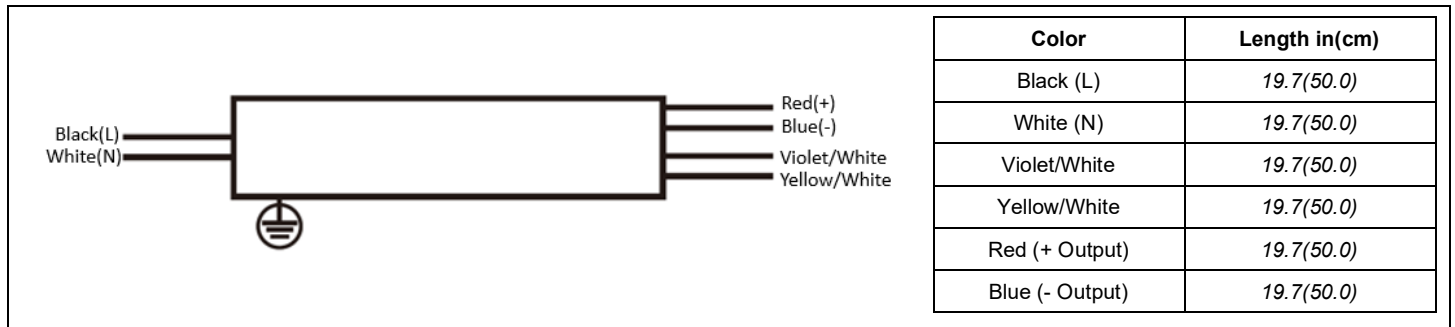
Power BUS: voltage 22.5Vdc max; current 100mA max

Surge protection: 2KV/1KA

Ring wave: 3KV/100A

ROHS Compliant: Yes

Control	Max Output Power (W)	Output Current (mA)	Output Voltage (V)	Efficiency Full load @277V	Max Input Current@120Vin (A)	Max THD @Output	Min PF @Output	Max Inrush Current (A/mS)	Surge Protection	Isolated Dimming	Weight (lbs/kg)	IP Rating
									Ring Wave	Dimming Range @full load		
DALI	90	500-1750	30-52	90%,	0.86	20% ( $\geq$ 22W output)	>0.9 ( $\geq$ 22W output)	See Page below	2KV/1KA 3KV/100A	100%-1%	1.43 / 0.65	IP54



## Product Features

### Physical

- Unit must be installed within an electrical enclosure.
- Input wiring must be rated to 600V & 105°C or higher.
- Output wiring must be rated to 300V & 105°C or higher.

### Performance

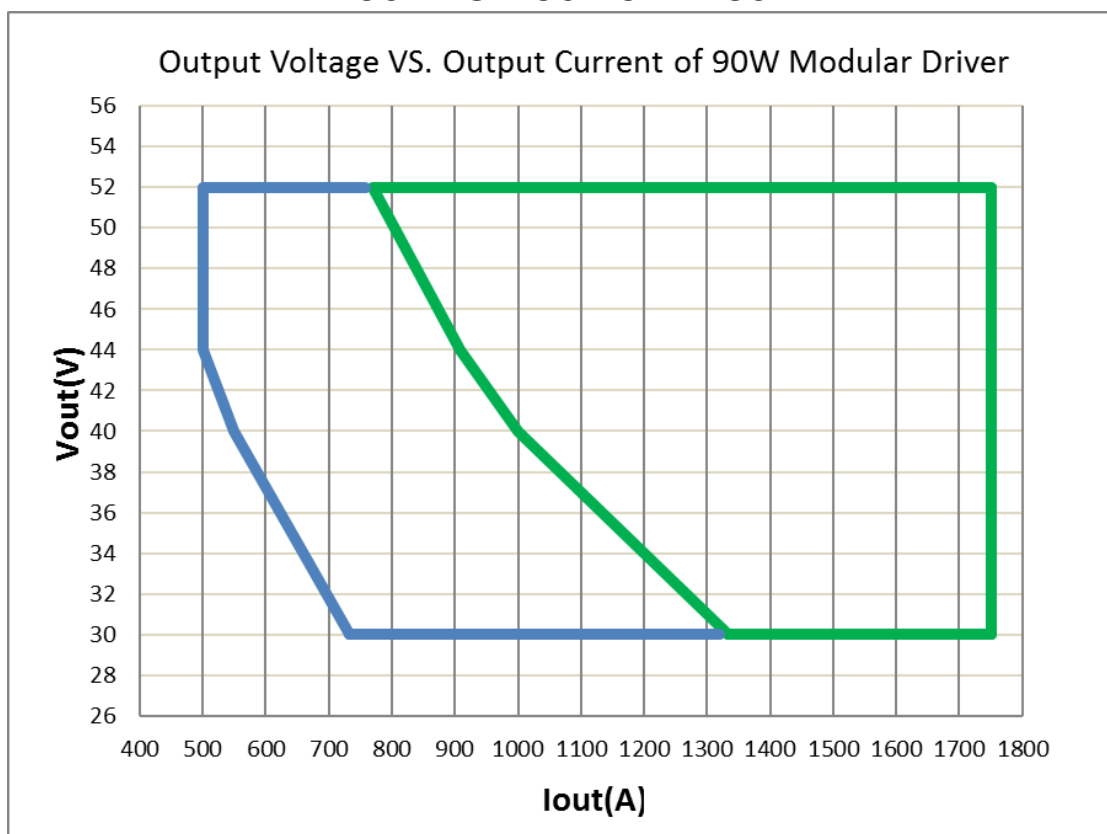
- The unit is classified as UL Class 2 as stipulated in UL8750.
- The unit is classified as Class P as stipulated in UL8750.
- Output and dimming interface are classified as Class 2 as stipulated in UL1310.
- Minimum ambient operating temperature: -30°C.
- Maximum allowable case temperature: 85°C.
- For reliability and failure rate information, contact GE Current Technical Sales Representative
- The unit is UL certified for operation in dry/damp locations.
- The unit is tolerant of extended open circuit and short circuit conditions.
- The unit is compliant to FCC Title 47 Part 15 Class A.
- The unit is resistant to surges as Per IEC61000-4-5 (2kV/1KA).

### UL Conditions of Acceptability - E340135

- The unit has been examined to comply with Class 2 Output Criteria.
- The unit is only to be used in dry or damp locations.
- The metal casing must be connected to EARTH.

## Technical Information

### 90W: GED90MCRP1750

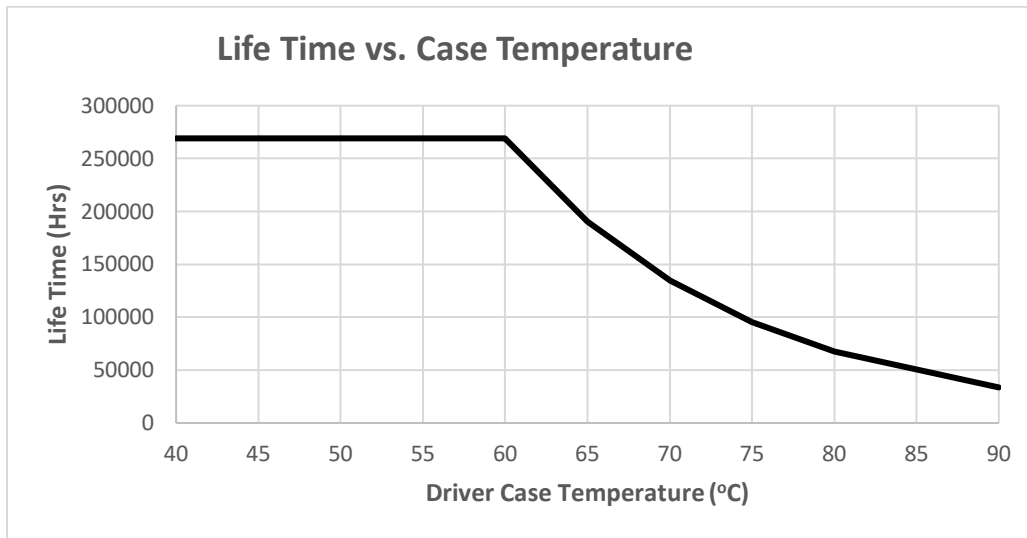


**Green:** Operation Window (PF>0.9, THD<20%, 1% dimming depth)

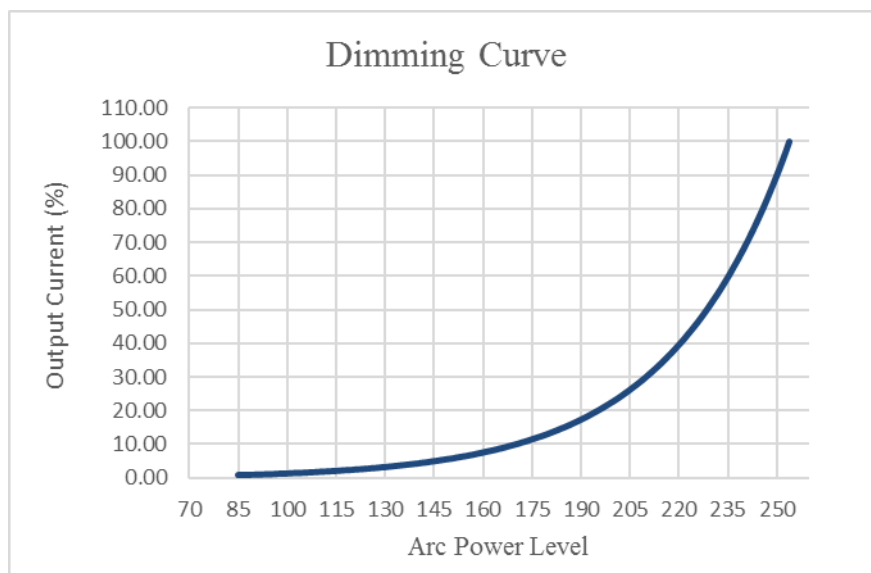
**Blue:** Driver can work within this window, but not ensure 1% dimming depth

Note:

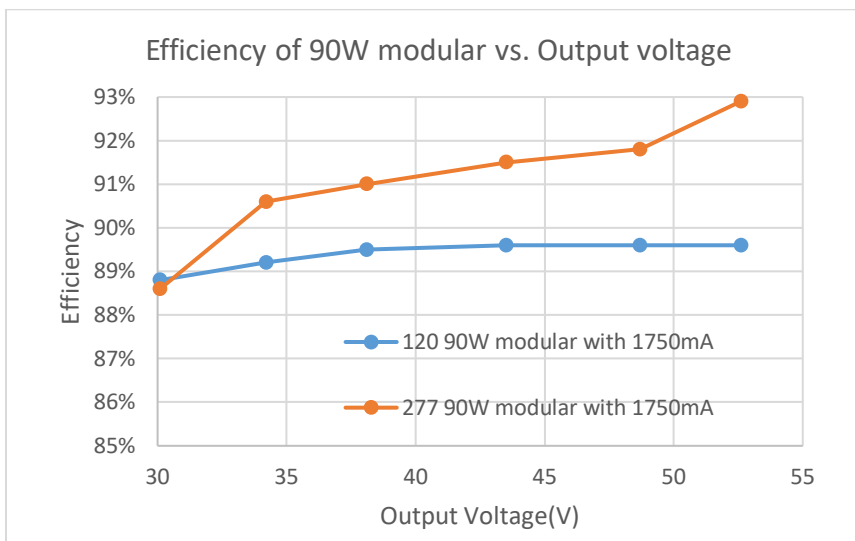
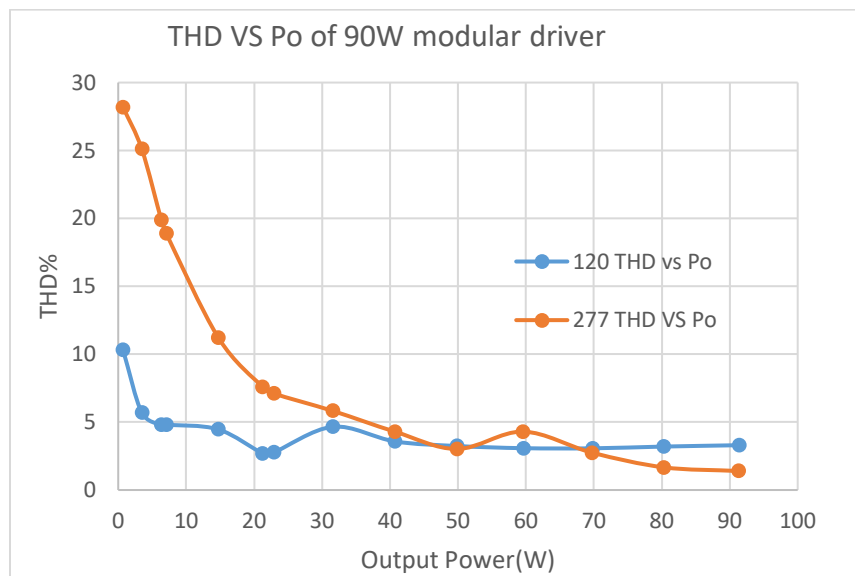
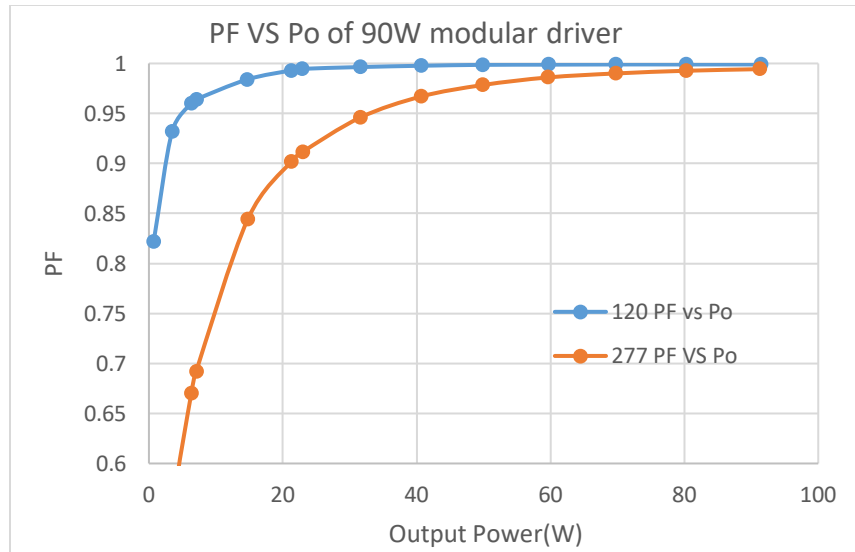
- The operation window is tested at room temperature-25degC.
- Vout window(30V-52V) refers to the whole temperature range and all operating condition.  $V_{out} \geq 30V$  at dimming condition and  $V_{out} \leq 52V$  even at  $-30^{\circ}C$ .
- In any condition, LED load voltage should not less than 30V to achieve 1% dimming depth.



## DALI DIMMING: GED90MCRP1750



## 90W modular driver: GED90MCRP1750



# Inrush current

Input Inrush Current		
Input Voltage	Peak Current Pulse	Pulse Duration (50% of Peak)
Vrms	(A)	(uS)
120	21.4A	242.20
277	51.4A	240.30

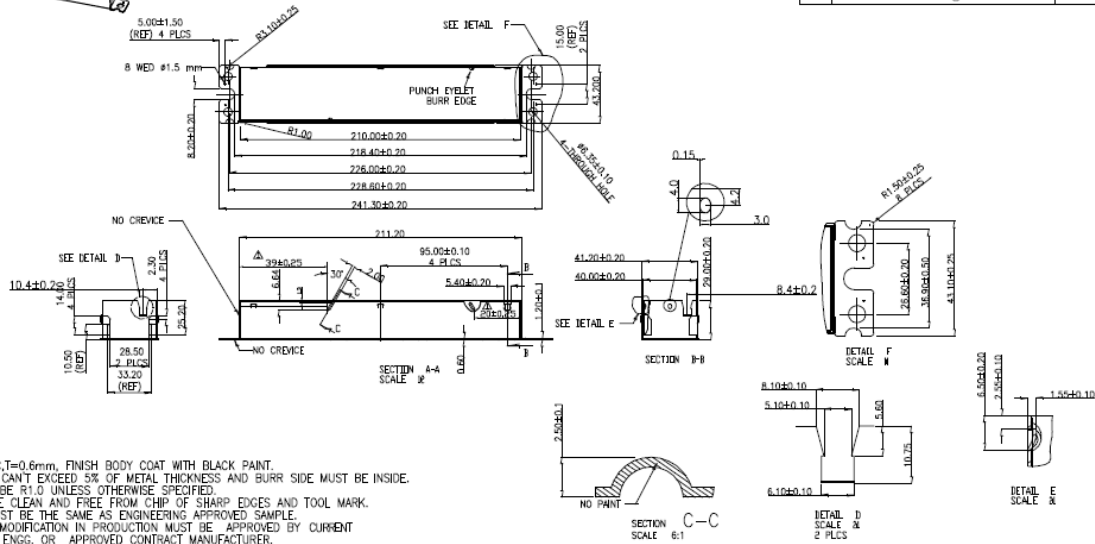
# Input Ground Leakage Current

Input Voltage Vrms (V)	Leakage Current (uA)
120	290
277	680

# Mechanical dimensions



REVISIONS		
REV	DESCRIPTION	DATE
1	Create new spec	2018/10/10
1.1	Size of grounding wire changed	2019/8/19



**NOTES:**


1. MATERIAL-SPCC,T=0.6mm. FINISH BODY COAT WITH BLACK PAINT.
2. BURR HEIGHT CANT EXCEED 5% OF METAL THICKNESS AND BURR SIDE MUST BE INSIDE.
3. ALL RADII TO BE R1.0 UNLESS OTHERWISE SPECIFIED.
4. PART MUST BE CLEAN AND FREE FROM CHIP OF SHARP EDGES AND TOOL MARK.
5. PRODUCTS MUST BE THE SAME AS ENGINEERING APPROVED SAMPLE.
6. ANY TOOLING MODIFICATION IN PRODUCTION MUST BE APPROVED BY CURRENT ELECTRONICS ENGG. OR APPROVED CONTRACT MANUFACTURER.
7. ARTICLE OR MATERIAL MUST CONFORM TO RoHS PROCEDURE S1900000 SEC.13
8. PART MUST CONFORM TO S1900000 SECTION 4 TOXICITY PROCEDURE

# Product Label

GED90MCRP1750

8 inch

**UltraMax™ Programmable LED Driver**  
GED90MCRP1750  
SAP:93125621  
PC:18741




18741

**INPUT**  
Voltage: 120-277VAC 50/60 Hz per ILL  
Current: 0.86 Arms per ILL  
PF:0.9

**OUTPUT**  
30-33VDC  
1750mA Max Output  
90Watts

**DA OUTPUT**  
22-33VDC Max  
150mA High  
90Watts

**Class 2 Power Supply**




**120-277V**

**120-277V**  
DALI Dimmable LED Driver  
GE UltraMax Digital Power Bus  
Min. Start Temp. 0°C  
To:85°C Max  
Class 2  
Class P  
FCC Part 15 Non-Consumer  
CAN ICES-0055(NMB-0055A)  
High Power Factor  
Sound Rated A  
For Connect Only, Use Wire Rated for  
all Local NEC/CSA/IEE  
Install and Ground per National  
Electric Code  
For Dry or Damp Locations

**Made in China, Designed & Distributed  
By Current Lighting Solutions, LLC,  
Neville Park, Cleveland, Ohio 44112**

Date:  
Firmware:  
©




**For assistance call:  
1-888-MYGELED**

REV 1

1.5 inch

4 inch

**GED90MCRP1750**  
SAP:93125621  
PC:18741




18741

**UltraMax™ Programmable LED Driver**

**QTY: 10**

**LED Driver, 90W, MultiVolt input, 1750mA  
Programmable, DALI dimming & Power bus  
North-America  
Country of Origin: China  
Voltage: 120-277V**

Date:  
Firmware:



**UL LISTED  
LED DRIVER  
E340135**

3 inch

REV 1