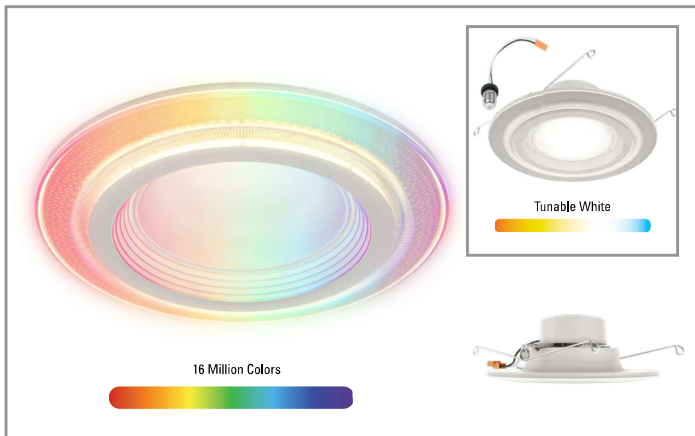


Project		Catalog #		Type	
Prepared by		Notes		Date	



Interactive Menu

- [Order Information](#) page 2
- [Product Warranty](#) page 3
- [Product Specifications](#) page 3
- [Photometric Data](#) page 4
- [Energy & Performance Data](#) page 4

Top Product Features

- Round 5"/6" Dual Zone Smart Wi-Fi® LED Trims are suitable for installation in remodel and new construction 5" or 6" recessed housings
- White tuning (2200K - 6500K) + 16 million colors + wireless dimming to 5% (120V input) all via the WiZ App; 90+ CRI (do not use with standard dimmers)
- Set schedules, scenes, static/dynamic lighting modes, rhythms, music sync, and SpaceSense™ technology that turns your lights into motion sensors, so they turn on with movement
- Configure and control lighting quickly with the WiZ App over Wi-Fi®
- Pro Installers can use the WiZ Pro Setup App to manage multiple projects, pair over Bluetooth, and access advanced features in the WiZ Pro Dashboard
- Lens & Trim:** Transparent acrylic trim with matte white baffle & curved diffuse lens
- Brightness (Nominal Lumens):** 5"/6" - Downlight (Zone A): 1000 lm; Ring (Zone B): 100 lm
- IC-rated, AIR-TITE, Energy Star, and wet location-listed
- Life:** 50,000 hrs of maintenance free operation
- 5-year warranty

Connected by
HALO **WiZ**
PRO

RLDZ56 | RL Dual Zone 5/6-inch Smart Wi-Fi® Recessed LED Trim Connected by WiZ Pro

Upgrade your lighting with our energy-efficient LED trims, designed for easy installation in 5" and 6" recessed housings. Enjoy the versatility of two independent lighting zones, offering both full-color and tunable white lighting. Benefit from the advanced features of Connected by WiZ Pro Technology, including wireless dimming, customizable schedules, dynamic scenes, rhythms, and SpaceSense™ motion detection.

Typical Applications

Residential

Product Certification

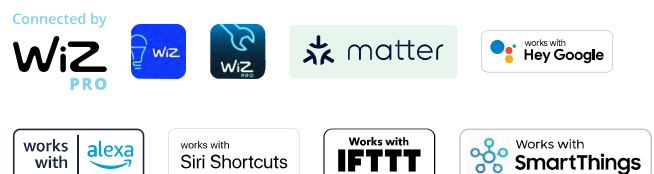


Refer to ENERGY STAR® Certified Products List. Can be used to comply with California Title 24 High Efficacy requirements. Certified to California Appliance Efficiency Database under JAB.

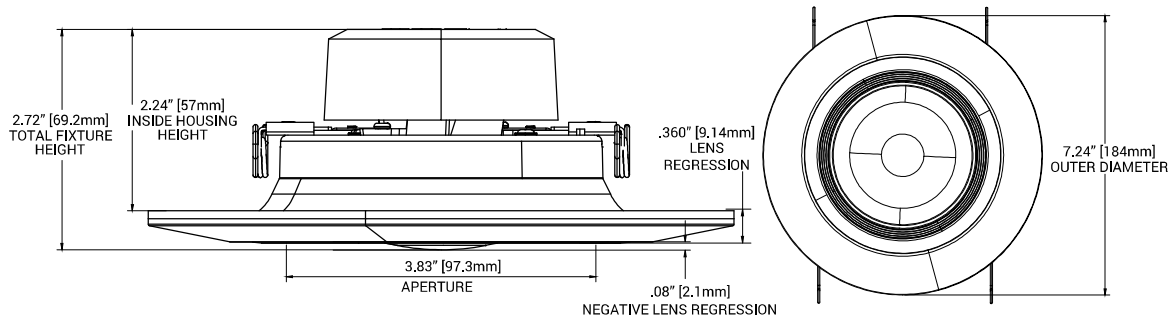
Product Features



Product Integrations



Dimensions



Order Information

Catalog Number	Module	Lumens (Nominal)	CRI/CCT	Driver	Finish	Packaging
RLWZDZT56	5"/6" RL Dual Zone Smart Wi-Fi® Recessed Baffle LED Trim Connected by WiZ Pro	Downlight (Zone A): 1000 lm Ring (Zone B): 100 lm	90+ CRI, Full Color (16 million colors) + Tunable White (2200K to 6500K) via WiZ App (Both zones)	120V 60Hz, wireless dimming to 5% (do not use with standard dimmers)	Matte White	Plastic-free & Recyclable

Compatible Housings

HALO 6" Housings ¹	
HALO LED	H750ICAT, H750RICAT, H750TCP, H2750ICAT, H2750RICAT, H550ICAT, H550RICAT, E550ICAT, E550RICAT, E750ICAT, E750RICAT
Standard Housing	H7ICAT, H7ICT, H7ICATNB, H7ICTNB, H7TNB, H7TCP, H7RICAT, H7RICT, E7ICAT, E7ICATNB, E7RICAT, E7RTAT, E7TAT, E7TATNB, H7ICATNB, H7ICTNB, H7TNB
Shallow Housing	H2750ICAT, H27ICAT, H27RICAT, H27ICT, H27RICT, E27ICAT, E27RICAT, E27TAT, E27RTAT
Fire Rated Housings	H750FR2ICATD010, H750FR2ICAT

HALO 5" Housings ¹	
Halo LED	H550ICAT, H550RICAT, E550ICAT, E550RICAT, H550FR2ICAT
Standard Housing	H5ICAT, H5ICATNB, H5RICAT, H5TNB, E5ICAT, E5ICATNB, E5RICAT, E5RTAT, E5TAT, E5TATNB
Shallow Housing	H2550ICAT, H25ICAT, H25RICAT, H25ICATNB
Fire Rated Housings	H550FR2ICATD010

1. The RL56 SeleCCTable is UL Certified for use with any 5" or 6" diameter recessed luminaire constructed of steel or aluminum with an internal volume that exceeds 97.4" in³ addition to those noted below and does not exceed the input rating of the luminaire.

Oversized Trim Rings

Catalog Number	Description
OT400P	6" Oversized Trim Ring, 6" ID x 9-1/4" OD (152mm x 235mm)
OT403P	6" Oversized Trim Ring, 6" ID x 8" OD (152mm x 203mm)

Product Specifications

Wireless System

- HALO products that are Connected by WiZ Pro can be claimed 2 ways:
 - For standard applications, use the WiZ app and claim over Bluetooth/Wi-Fi®.
 - Professional installers can claim via the WiZ app or the WiZ Pro Setup app. Use the Pro Setup app if no Wi-Fi® has been setup yet, or if the installation is a large-scale project that requires additional features like the WiZ Pro Dashboard.
- **Learn more at wizconnected.com**
- **Learn more at pro.wizconnected.com**
- The fixtures are compatible with any Connected by WiZ or Connected by WiZ Pro products made by HALO, WiZ or other manufacturers.
- Maximum number of devices per account: 200 (based on router network capacity)

WiZ App Setup & Control

- For standard applications, use the WiZ app and claim over Bluetooth/Wi-Fi®
- These products can be claimed and controlled directly within the WiZ app.
- The WiZ app allows for wireless control of lighting from home or away via Wi-Fi®.
- Wirelessly control on/off, white tuning (candlelight 2200K to true daylight 6500K), full color (16-million options), and dimming (100% to 5%) via the WiZ app.
- The WiZ app and WiZ Pro Setup app are Android or Apple iOS compatible with most smartphones and tablets
- Setup homes, rooms, groups, scenes, schedules, rhythms, music sync, and SpaceSense™ motion detection to automate your smart home lighting.
- Integrates with Matter, Amazon Alexa, Hey Google, Apple HomeKit, Siri Shortcuts, IFTTT, and SmartThings
- **Learn more at wizconnected.com**

WiZ PRO Control

- HALO with WiZ PRO also has claiming and account management features designed for the pro installer.
- Pros can use the WiZ Pro Setup App to claim products quickly using pre-Wi-Fi® commissioning and manage multiple jobsites including transferring account ownership.
- The WiZ Pro Dashboard gives professional installers:
 - A clear overview to monitor lighting over a mapped location
 - Full range of configurations and remote control
 - Comprehensive reporting on device status & energy usage
- **Learn more about WiZ Pro features and functionality at pro.wizconnected.com**

Control & Dimming

- Wireless flicker-free dimming from 100%-5% via the WiZ App
- Do not connect to line voltage dimmer
- Fixtures can be controlled via several options:
 - **Standard ON/OFF Switches:** The WiZclick feature is a secondary control option, which uses your main light switch:
 1. Toggle the switch on once to activate Favorite Mode 1
 2. Toggle twice for Favorite Mode 2 (Favorite Mode 1 and 2 are editable within the WiZ app)
 - Wired hot with constant power and controlled via the WiZ app or other Connected by WiZ remote controls (sold by others)
 - Wired with other Connected by WiZ in-wall switches/dimmers (sold by others)
 - Smart lighting requires full power to receive wireless messages — do not use with standard phase-cut/triac dimmers
- Only compatible with other Connected by WiZ/ WiZ Pro products (not directly compatible with HALO Home, Philips Hue, or any other wireless smart home system)

Module - Trim

- Module construction includes LED array, heat sink, reflector, lens, baffle and transparent trim ring and ceiling ring
- Die-cast aluminum regressed baffle trim
- Heat sink designed to conduct heat away from the LED array, keeping the junction temperatures below specified maximums, even when installed in insulated ceiling environments

LED Array

- Mid power LED array provides a uniform source with high efficiency and no pixilation
- 90 CRI minimum, R9 greater than 50
- Color accuracy at 4 SDCM at 2700K and 7SDCM up to 6500K, provide excellent color quality and uniformity
- Full Color RGB LEDs Deliver 16 million color options along with white tuning from 2200K to 6500K color temperature (CCT)
- Factory default color temperature (CCT) is set to soft white (2700K) via the WiZ software

Optical Assembly

- Regressed impact-resistant polycarbonate lens
- Convex lens creates lamp-like appearance
- Diffuse for even illumination

Driver

- Integral 120V 60 Hz constant current driver provides noise free operation
- **Wirelessly Dimmable:** Continuous, flicker-free dimming from 100% to 5% output via the WiZ app, voice control, and other Connected by WiZ controls (sold by others)

Gaskets

- Achieve restrictive airflow requirements without the need of a gasket or additional caulking

Retention & Installation

- Push-N-Twist universal installation clips are pre-installed and designed to fit compatible 4" recessed housings

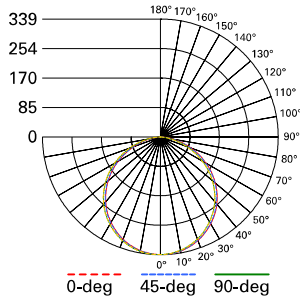
Compliance

- UL Certified for US and Canada for use with Halo housings, classified for use with other's housings, see instruction sheet for conditions of acceptability
- UL Certified for US and Canada, type IC suitable for direct contact with air permeable insulation
- Not for use in direct contact with spray foam insulation, reference NEMA LSD57-2013
- Wet and Damp location listed
- Airtight certified per ASTM-E283
- Suitable for use in clothes closets when installed in accordance with the NEC 410.16 spacing requirements
- EMI/RFI emissions per FCC 47CFR Part 15 consumer limits
- Contains no mercury or lead and RoHS compliant
- Photometric testing in accordance with IES LM-79-08
- Lumen maintenance projections in accordance with IES LM-80-08 and TM-21-11
- Can be used for State of California Title 24 high efficacy luminaire compliance. Complies with Title 24 JA8-2022-E.
- Can be used International Energy Conservation Code (IECC) high efficiency luminaire compliance.
- ENERGY STAR® listed, reference database for current listings

Warranty

- Five-year limited warranty, consult website for details. www.cooperlighting.com/warranty

Photometric Data



RLWZDZT56-3000K
 Spacing criterion (0/90/45):
 1.26 / 1.26 / 1.38
 Beam Angle: 112°
 Field Angle: 162°
 Lumens: 960
 Input Watts: 9.4 W
 Efficacy: 102.1 LPW
 Test Report:
 P971902

Zonal Lumen	Lumens	% Lumens
0-30	263	27.4
0-40	432	45
0-60	762	79.4
0-90	960	100
90-180	0	0
0-180	960	100

TM-30-15	Rf = 93
	Rg = 102
CRI/CIE	Ra = 97.1
	R9 = 87.4

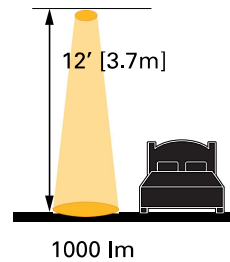
CCT - Range of 2200K- 6500K

112°

Energy and Performance Data

RLWZDZT56	
Lumens	1000 @ 2700K
Input Voltage	120V
Input Frequency	60Hz
Input Power	9.1W
Input Current	0,077A
Power Factor	>0,90
THD	<20%
EMI/RFI	FCC Title 47 CFR Part 15, Class B (Fixture Level); FCC Part 15 Class C
Sound Rating	<22dB
Minimum Starting Temp	-30°C (-22°F)

Scale



Tested in accordance with IES LM63. Field results may vary.