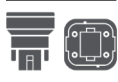




- Compatible Control Systems
 - Lutron EcoSystem Digital Control – dims down to 1%
 - Lutron 3-Wire Phase Control – dims down to 1%
 - 0-10V – dims down to 5%
 - Line Voltage Dimming (LVD) – 5% (120V only for dimming)
- Simplest & safest option for substantial maintenance and energy savings
- Keep existing fixtures, sensors and control system—no mess, no fixture recycling and no need to break the ceiling plane
- Retrofit for over 50% less than installing a new fixture and optimize local utility rebates
- For downlight applications utilizing two 32W/42W replacement lamps, an 8-inch or larger fixture is recommended. Test-for-fit in 6-inch downlights
- Not for use in enclosed fixtures



G24Q 4-PIN BASE
(NOT INTENDED TO REPLACE 2-PIN G23 OR GX23 2-PIN LAMPS)



26W REPLACEMENT
HORIZONTAL



26W REPLACEMENT
OMNI-DIRECTIONAL



32W/42W REPLACEMENT
VERTICAL + HORIZONTAL

BASE ROTATES AND EXTENDS UP TO 1-INCH FOR PROPER POSITIONING AND ORIENTATION OF LAMP



90° ROTATABLE HEAD



120-277V
EXT DRIVER / LVD =120V DIMMING ONLY

0-10V
DIMMING - DIMS DOWN TO 5%

LUTRON ECOSYSTEM & 3-WIRE

OPEN FIXTURES

TYPE C RETROFIT

20% THD >90
PWR FACTOR

80+
CRI

200°
BEAM ANGLE

32W/42W
-4°F TO 113°F
OPERATING TEMP

26W
32°F TO 104°F
OPERATING TEMP

50,000hrs
L70
RATED LIFE

ETL CLASSIFIED



HEADQUARTERS & TRAINING CENTER • Cary, IL | INNOVATION & MANUFACTURING CENTER • Middleton, MA
847.380.3540 • led-llc.com • sales@led-llc.com

04.14.26 Information is subject to change without notice.

Light Efficient Design.



26W REPLACEMENT PART NUMBER BUILDER

MFR	TYPE	LUMINAIRE CONFIGURATION	# OF LAMPS	CCT	CONTROL INTERFACE*	CASE	GEN	OPTIONS
RP	G24Q						G2	
		126V 126H	1L	830 = 3000K	E1 = LUTRON ECO SYSTEM (DIMS DOWN TO 1%)	K = SQUARE W/ STUDS (NOT FOR USE W/ LVD 132V OR 132H CONFIGURATIONS)		-EMG -TAA
		226V 226H	2L	835 = 3500K 840 = 4000K	3W = LUTRON 3-WIRE (DIMS DOWN TO 1%) 10V = 0-10V DIMMING (DIMS DOWN TO 5%) LVD = LINE VOLTAGE DIMMING (5% DIMMING TYPICAL. 120V/277V SWITCHED; 120V ONLY FOR DIMMING) *CONTACT US FOR ADDITIONAL CONTROL OPTIONS	KN = SQUARE W/O STUDS M = LINEAR (NOT FOR USE W/ LVD 132V OR 132H CONFIGURATIONS) (SEE DIMENSIONS ON PG. 3)		SEE TABLE BELOW

EXAMPLE PART NUMBER RP-G24Q-126V-1L-830-3W-K-G2-EMG-TAA

OPTIONS

EMG	TAA
EMERGENCY BATTERY BACKUP (See page 5 for more details)	TAA=CONTACT US FOR OPTIONS (TAA NOT AVAILABLE W/ LVD DRIVER CONTROL INTERFACE)

32W/42W REPLACEMENT PART NUMBER BUILDER

MFR	TYPE	LUMINAIRE CONFIGURATION	# OF LAMPS	CCT	CONTROL INTERFACE*	CASE	GEN	OPTIONS
RP	G24Q			8FC			G3	
		132V 132H	1L	FLEXCOLOR	E1 = LUTRON ECO SYSTEM (DIMS DOWN TO 1%)	K = SQUARE W/ STUDS (NOT FOR USE W/ LVD 132V OR 132H CONFIGURATIONS)		-EMG
		142V 142H		2700K 3000K 3500K 4000K 5000K	3W = LUTRON 3-WIRE (DIMS DOWN TO 1%) 10V = 0-10V DIMMING (DIMS DOWN TO 5%) LVD = LINE VOLTAGE DIMMING (5% DIMMING TYPICAL. 120V/277V SWITCHED; 120V ONLY FOR DIMMING) *CONTACT US FOR ADDITIONAL CONTROL OPTIONS	KN = SQUARE W/O STUDS M = LINEAR (NOT FOR USE W/ LVD 132V OR 132H CONFIGURATIONS) (SEE DIMENSIONS ON PG. 3)		SEE TABLE BELOW
		232H	2L					
		242H						

EXAMPLE PART NUMBER RP-G24Q-232H-2L-8FC-3W-K-G3-EMG

OPTIONS

EMG
EMERGENCY BATTERY BACKUP (See page 5 for more details)

* SINCE LUMINAIRE DESIGNS VARY BY MANUFACTURER AND MODEL, A MOCK UP IS SUGGESTED TO CONFIRM FIT (SEE PG. 4 FOR COMMON FIXTURE TYPES)
** SEE PART NUMBER BUILDER FOR FINAL PART NUMBERS



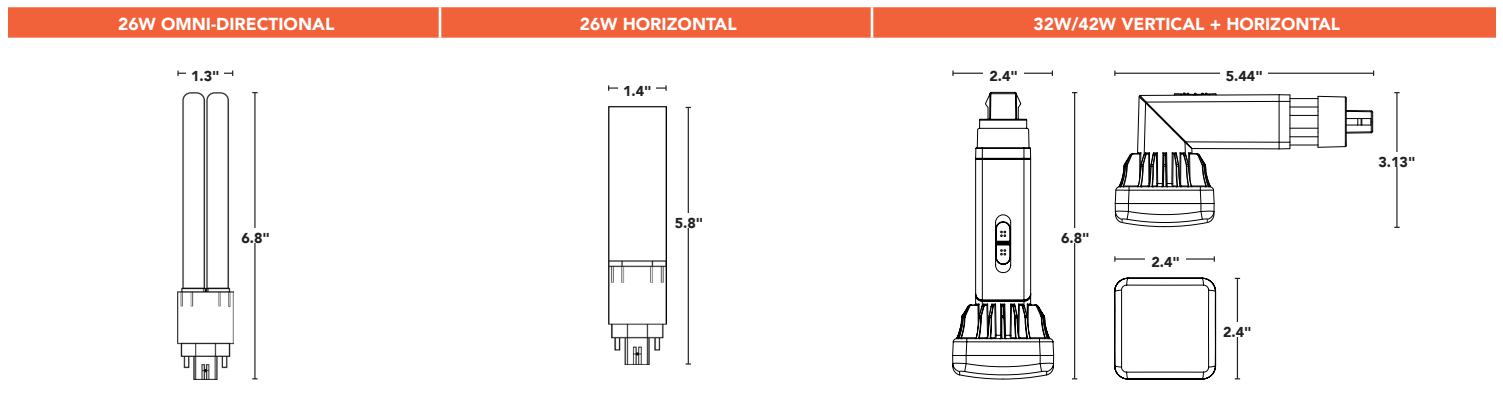
CFLS CAN BE MOUNTED HORIZONTALLY OR VERTICALLY IN MANY FIXTURE TYPES*

EXISTING	KIT PART #**	LAMP TYPE	KIT WATTAGE	KIT LUMENS	LAMP DIMENSIONS	MOUNTING ORIENTATION
1L VERT 26W	RP-G24Q-126V-1L-8XX-DD-C-G2	OMNI	12W	900	6.8" x 1.3"	
1L VERT 32W	RP-G24Q-132V-1L-8FC-DD-C-G3	DIRECTIONAL	11W	1200	6.8" x 2.4"	
1L VERT 42W	RP-G24Q-142V-1L-8FC-DD-C-G3	DIRECTIONAL	16W	1850	6.8" x 2.4"	
2L VERT 26W	RP-G24Q-226V-2L-8XX-DD-C-G2	OMNI	24W	1800	6.8" x 1.3"	
2L VERT 2x 32W	RP-G24Q-232V-2L-8FC-DD-C-G3	DIRECTIONAL	22W	2400	6.8" x 2.4"	
2L VERT 2x 42W	RP-G24Q-242V-2L-8FC-DD-C-G3	DIRECTIONAL	32W	3700	6.8" x 2.4"	
1L HORIZ 26W	RP-G24Q-126H-1L-8XX-DD-C-G2	DIRECTIONAL	13W	1000	5.8" x 1.4"	
1L HORIZ 32W	RP-G24Q-132H-1L-8FC-DD-C-G3	DIRECTIONAL	11W	1200	5.44" x 3.13"	
1L HORIZ 42W	RP-G24Q-142H-1L-8FC-DD-C-G3	DIRECTIONAL	16W	1850	5.44" x 3.13"	
2L HORIZ (2) 26W	RP-G24Q-226H-2L-8XX-DD-C-G2	DIRECTIONAL	26W	2000	5.8" x 1.4"	
2L HORIZ 2x 32W	RP-G24Q-232H-2L-8FC-DD-C-G3	DIRECTIONAL	22W	2400	5.44" x 3.13"	
2L HORIZ 2x 42W	RP-G24Q-242H-2L-8FC-DD-C-G3	DIRECTIONAL	32W	3700	5.44" x 3.13"	

* SINCE LUMINAIRE DESIGNS VARY BY MANUFACTURER AND MODEL, A MOCK UP IS SUGGESTED TO CONFIRM FIT (SEE PG. 5 FOR COMMON FIXTURE TYPES) KIT LUMENS AND WATTAGE ARE BASED ON 3500K SETTING AND LUTRON 3W DRIVER. LUMENS AND WATTAGE WILL VARY DEPENDING ON COLOR SETTING AND DRIVER SELECTED

** SEE PART NUMBER BUILDER FOR FINAL PART NUMBERS

LAMP DIMENSIONS



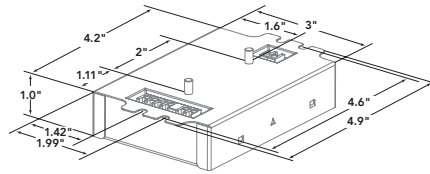


DRIVER DIMENSIONS

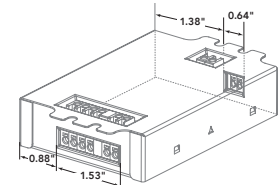
LUTRON



CASE TYPE K



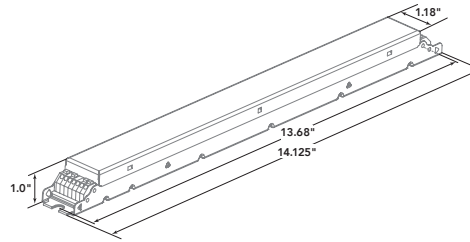
K CASE CONNECTOR LOCATIONS (WITH STUDS)



KN CASE SIDE ENTRY CONNECTOR LOCATIONS (WITHOUT STUDS)



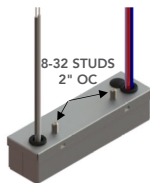
CASE TYPE M



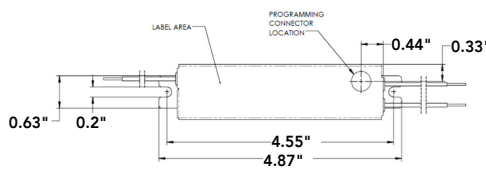
LVD



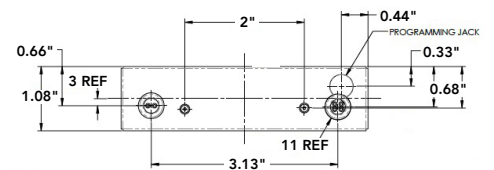
M CASE



K CASE



M CASE



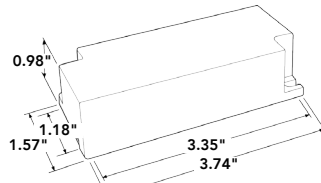
K CASE



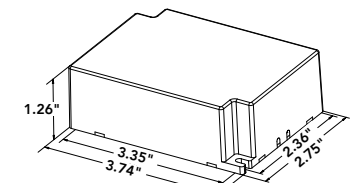
KN CASE
25W SYSTEM MAX



KN CASE
26W-60W SYSTEM MAX



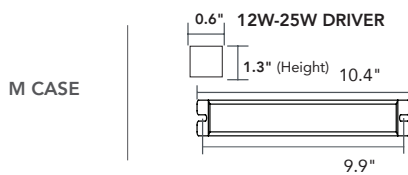
KN CASE 25W SYSTEM MAX



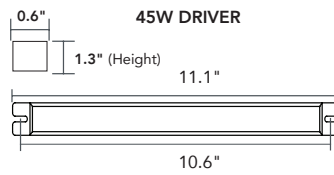
KN CASE 26W-60W SYSTEM WATTAGE

NOTE IT IS IMPORTANT THAT LVD DRIVERS ARE MOUNTED TO A FLAT SURFACE IN ORDER TO MAXIMIZE SERVICE LIFE

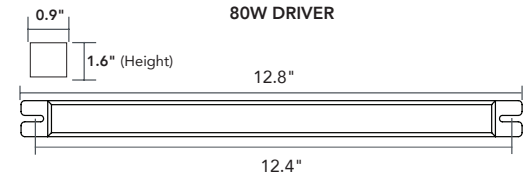
10V



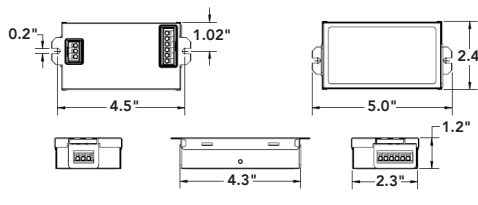
M CASE



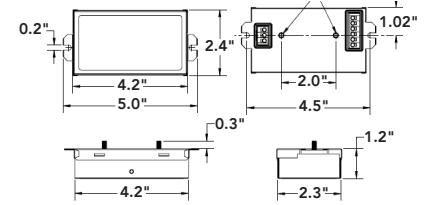
45W DRIVER



80W DRIVER



KN CASE



K CASE



EMG CONFIGURATIONS

4W ALL-IN-ONE EMG

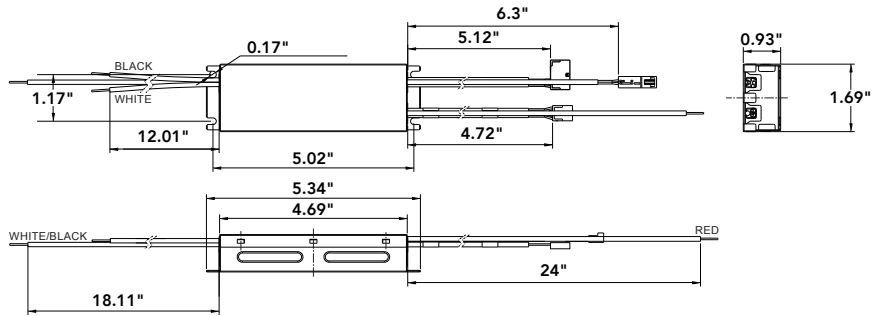
LINE DRAWING

EXISTING G24Q LAMPS WILL LIGHT IN EMG MODE
 Approximately 500 lumens for 90 minutes
 Contact us for more options

DRIVER

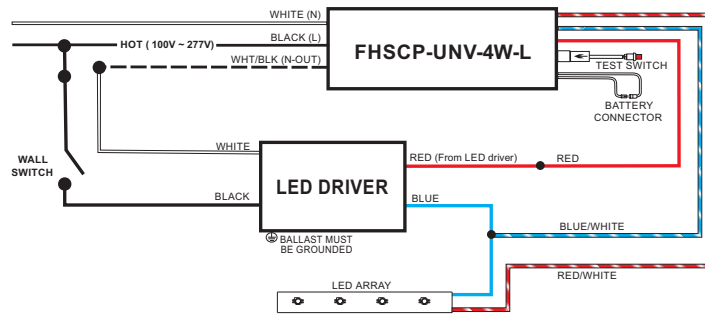


EMG DIMENSIONS: 5.34" x 1.69" x 1.01"
 SEE BELOW FOR WIRING DIAGRAM



WIRING DIAGRAM

4W ALL-IN-ONE EMG



MOST COMMON FIXTURE TYPES

HORIZONTAL



2-LAMP DOWNLIGHT ORIENTATION

VERTICAL



1-LAMP DOWNLIGHT ORIENTATION

PENDANT



1 OR 2-LAMP UPLIGHT/DOWNLIGHT ORIENTATION

SCONCE



1 OR 2-LAMP VERTICAL ORIENTATION



FOR MORE INFORMATION VISIT C-FLEXRETROFITS.COM OR CONTACT US