

# RP-LBE-G2 RETROFIT FOR LINEAR FLUORESCENT LUMINAIRES



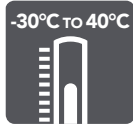
SENSOR READY DRIVER



VOLTAGE



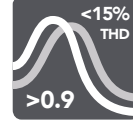
EFFICACY



OPERATING TEMP



OPTIONAL MOTION SENSOR



PWR FACTOR/THD



BEAM ANGLE



RATED LIFE

## the ultimate LED retrofit kit

RemPhos' LBE (LEDBARKIT External-Drive) universal retrofit kit for linear fluorescent luminaires is the perfect retrofit solution. Delivers better long-term reliability, longer life (10yr warranty), controllability (standard 0-10V dimmable; Dim-to-Off; 12V Aux Standard) and faster paybacks (since Utility incentives are typically higher), when compared to LED tubes. Designed to easily fit into existing T5/T8/T12 linear fluorescent fixtures. Fast, one-person installation.



### SIMPLE INSTALLATION

Convert existing fixtures fast with magnets on the back of the light bars that allow hands-free placement (self-drilling screws are pre-captivated on each magnetic bracket for fast & secure install). Electrical quick connects for simple, error-free power connections.

### FITS BETWEEN THE SOCKETS

No need to remove existing T5/T8/T12 sockets. The LEDBAR is sized to fit in between the existing sockets, further reducing install time.

### MAXIMUM VERSATILITY

Standard lengths along with multiple lamp/driver combinations (1L,2L,3L,4L) provides a fit for any application.

### MANY LIGHT OUTPUT CHOICES flexWATT

Systems available from 6W (800LM) all the way to 80W (13,000LM). Standard 10V drivers now include FlexWatt that allows you to choose the exact lumen/wattage package needed. See ordering guide for available lumen packages.

### STANDARD 10V DIMMABLE DRIVER W/ 12V AUX; DIM TO OFF

### SUITABLE FOR DRY & DAMP LOCATIONS

### UL 1598C CLASSIFIED RETROFIT KIT LISTED & PERFORMANCE QPL LISTED

### 10 YEAR WARRANTY, L70 >100,000HRS (10)

### CUSTOM BRACKET DESIGNS AVAILABLE

Stream line your retrofit project with custom professional brackets to reduce install time and variation of install

### CONTROLS/MOTION SENSORS (OPTIONAL)

Contact our engineering team to help choose the best sensor/control for your application.



**Light Efficient Design**

LIGHT EFFICIENT DESIGN HEADQUARTERS 188 S. Northwest Highway • Cary, IL 60013  
INNOVATION & MANUFACTURING CENTER 30 Log Bridge Road, Building 200 • Middleton, MA 01949

847.380.3540 • led-llc.com

05.04.21 Information is subject to change without notice.



# RP-LBE-G2 RETROFIT FOR LINEAR FLUORESCENT LUMINAIRES



## NEW WITH THE LBE-G2

	RemPhos LBE G2	RemPhos LBE G1	Competitor
<b>PERFORMANCE</b>			
Higher output option to match T5HO	✓	✗	✓
8W option to replace T8 32W FL	✓	✗	✗
FlexWatt driver standard	✓	✗	✗
Dim-to-off driver standard	✓	✗	✗
2-switch step-dim driver option	✓	✗	✗
1-switch step-dim driver option	✓	✗	✓
Compatibility with low cost 12V DC controls	✓	✗	✗
Optional FlexColor adjustable CCT light bars	✓	✗	✗
DLC Premium at 130-150LPW	✓	✓	✓
Low cost emergency battery backup	✓	✗	✓
<b>CONSTRUCTION</b>			
Metal case LED driver	✓	✗	✗ (plastic)
Aluminum heatsink for thermal dissipation of LEDs	✓	✓	✗ (plastic)
Removable, adjustable metal magnetic brackets	✓	✗	✗ (plastic)
Pre-captured self-drilling screws on brackets	✓	✗	✗
Various "custom-shop" brackets available	✓	✗	✗
<b>RELIABILITY</b>			
10-year warranty	✓	✓	✓
100,000hr L70 LED lifetime	✓	✓	✗ (70,000hr)
<b>OTHER</b>			
BAA Assembly option	✓ (Middleton, MA)	✓ (Middleton, MA)	✗ (TAA)
Local USA factory support for changes to schedule	✓	✓	✗

### HIGHER OUTPUT TO MATCH T5HO

Previous generation could only be powered up to 20W for the 4ft bar. G2 can be powered at up to 25W for the 4ft bar to match the foot candles of a T5HO FL lamp. All light bars are over 150LPW, with AC wall efficiencies including the driver from 130-145LPW.

### SINGLE CCT AVAILABLE

4FT: 25W Max, 3FT: 12W Max, 2FT: 12W Max, 1FT: 8W Max

### FLEXWATT STANDARD

Each driver has 4 adjustable wattage choices. With FlexWatt, there are now significantly more wattage choices to allow you to select exactly what lumen/wattage package is needed to maximize energy savings.

### OPTIONAL FLEXCOLOR

Select between three color temperatures using a slide switch.  
4FT: 20W Max

### DIM-TO-OFF SENSOR READY DRIVERS STANDARD

12V auxiliary power and 10V dimming wires are standard in every kit. Allows for easy interface with dimming switches and control systems.

### VARIOUS CONTINUOUS AND STEP-DIM DRIVER OPTIONS.

We want to help you choose the lowest cost, easiest to implement method to dim our retrofit kits. While low voltage 10V dimming is a great approach, often it requires running new wiring. Therefore, we have line voltage phase dimming driver options, 2-switch step-dim driver options (to work with existing inbound/outbound wall switches), and 1-switch step-dim driver options (using 1 existing wall switch change brightness between pre-selected levels of 50%/100% for example).

### LESS WATTS TO REPLACE YOUR FLUORESCENT LAMPS

Previously G1 was 10W to replace 32W T8 FL, now with G2 10W or even 8W can be used for deeper energy savings. ordering guide for available systems.

### METAL, LINEAR BALLAST SHAPED LED DRIVERS

Previous G1 were plastic cases. New G2 are rigid metal cases, rugged and easy to mount. Thinner height to fit into even the most compact existing ballast compartments..

### REMOVABLE, ADJUSTABLE METAL MAGNETIC MOUNTING BRACKETS

Previous G1 had plastic end caps which accepted self-drilling screws and fixed magnets. G2 has an innovative bracket that can be slid anywhere on the bar, so that the screws can be mounted in various places depending on what is fastest/easiest for the install.

### LOWER COST EMERGENCY BATTERY BACKUP

### VARIOUS BRACKETS AVAILABLE FROM OUR "CUSTOM-SHOP"

Have a direct/indirect pendant hung fixture and want a fast way to mount bars pointing up and down? No problem, we have a solution. Have a wide-body vapor tight where you want 6 bars mounted together along with a motion sensor on a single pan? No problem, we have a solution. Let our engineers help design a bracket/mounting system that makes installation faster and easier for you.



# RP-LBE-G2 RETROFIT FOR LINEAR FLUORESCENT LUMINAIRES



## DIMMING OPTIONS

**10V** – Standard driver is controlled with 0-10V wall dimmer or 0-10V advanced control system. (Standard driver has Aux power [12V – 50mA]; Dim-to-Off)

**LVD** – 120-277V TRIAC / AC Phase cut dimming (Driver) – Traditional AC modulated dimming. Compatible with forward or reverse phase cut dimming. CFL/LED compatible dimmer required.

**1STEP** – Single Switch Step-Dimming (Module to be used with LBE 10V kits) Quick flip [ON-OFF-ON] to toggle between step dimming. [30% - 60% - 100%]

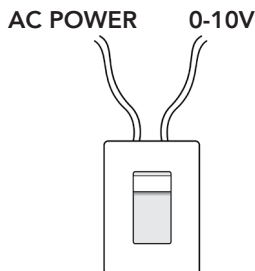
**2STEP** – Double Switch Step-Dimming (Driver) Use 2 switches to control dimming steps in logical way. Designed to retrofit fluorescent in-board / out-board set-up. [30% - 60% - 100%]

## DIMMING EXPANDED

**10V**  
(STANDARD DRIVER)



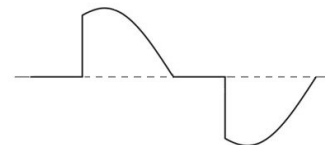
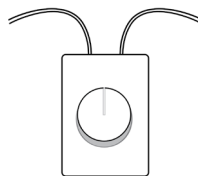
**0-10V DIM**  
(Dim-to-off)  
(Aux 12V; mA)  
(0-10V use with wall dimmer or 0-10V Advanced Control)



**LVD**  
(OPTIONAL DRIVER)



**120-277V TRIAC (PHASE CUT)**  
(CFL/LED Compatible dimmer required)



**1STEP**  
(OPTIONAL CONTROL MODULE)



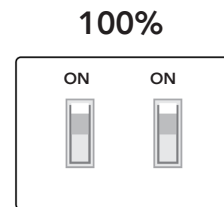
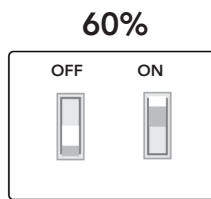
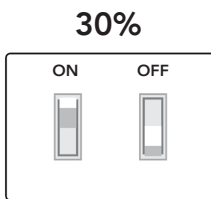
**SINGLE SWITCH STEP DIM MODULE**  
(Use w/ standard LBE control ready driver)  
Quick flip [ON-OFF-ON] to toggle between step dimming. [30% - 60% - 100%]



**2STEP**  
(OPTIONAL DRIVER)



**2 SWITCH**  
(Fluorescent in-board / out-board retrofit)



**Light Efficient Design**

LIGHT EFFICIENT DESIGN HEADQUARTERS 188 S. Northwest Highway • Cary, IL 60013  
INNOVATION & MANUFACTURING CENTER 30 Log Bridge Road, Building 200 • Middleton, MA 01949

847.380.3540 • led-llc.com

05.04.21 Information is subject to change without notice.

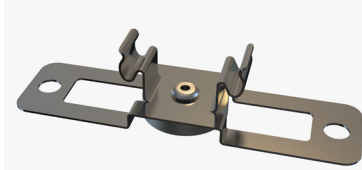
# RP-LBE-G2 RETROFIT FOR LINEAR FLUORESCENT LUMINAIRES



## OPTIONAL MOUNTING BRACKETS - ORDERED SEPARATELY

Used when mounting to an uneven fixture surface or to match heights to driver channel when de-lamping

**SHORT BRIDGE**



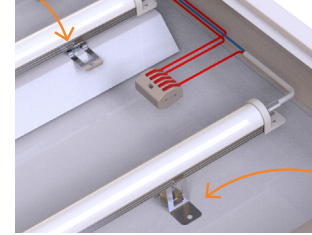
RP-LBE-G1-SHORTBRIDGE-10P

**TALL BRIDGE**



RP-LBE-G1-TALLBRIDGE-10P

**SHORT BRIDGE**



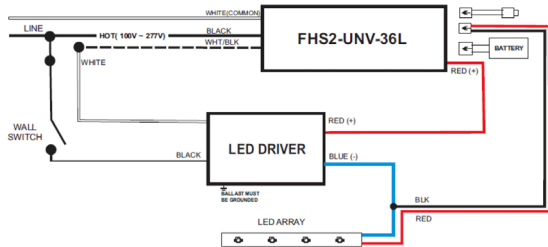
**TALL BRIDGE**

## OPTIONAL EMERGENCY BACKUP

A simple, effective solution when battery backup functionality is required. 500 lumen, 90-minute standard; specify EMG suffix in part number. Contact us for other backup times and lumen packages.



Wiring Diagram (TYP)



## KEY PRODUCT INFORMATION

- SIMPLE INSTALLATION
- FITS BETWEEN THE SOCKETS
- MAXIMUM VERSATILITY
- MANY LIGHT OUTPUT CHOICES
- CONTROL READY 10V DIMMABLE DRIVER
- SUITABLE FOR DRY & DAMP LOCATIONS
- UL 1598C CLASSIFIED RETROFIT KIT LISTED & PERFORMANCE QPL LISTED
- 10 YEAR WARRANTY, L70 >100,000HRS
- OPTIONAL "BAA" (ARRA SECTION 1605) BUY AMERICA ACT
- CUSTOM RETROFIT SOLUTIONS AVAILABLE
- OPTIONAL MOTION SENSOR/CONTROL READY



## HOW TO EASILY ADD OCCUPANCY SENSING AND DAYLIGHT CONTROL TO YOUR FIXTURE

Choose one of the control options below which best fits your needs. Any of these options can be easily installed under the existing glass or plastic fixture lens. These controls will allow the LED Barkit to adjust it's light level depending on occupancy or daylight levels, achieving greater energy savings.

### ADVANCED WIRELESS CONTROL

PART #	DETAILS
 <b>HNS 111</b>	Remote mounted antenna can be screwed to outside of ballast cover. Can be mounted behind glass or plastic lens. Adjusts for occupancy and daylight. Optional remote control to adjust settings.



We partner with Magnum, avi-on, Philips, Lutron and other intelligent wireless lighting control systems. Allows for occupancy sensing, daylight harvesting, grouping, scheduling, high-end trim and more. Adjust settings via iPhone/Android apps. Contact us for

CONTACT US FOR ORDERING CODES

\*If satisfied with LBE default settings, remote control is not needed.  
 If settings need to be changed, optional remote control (IR12), is required.



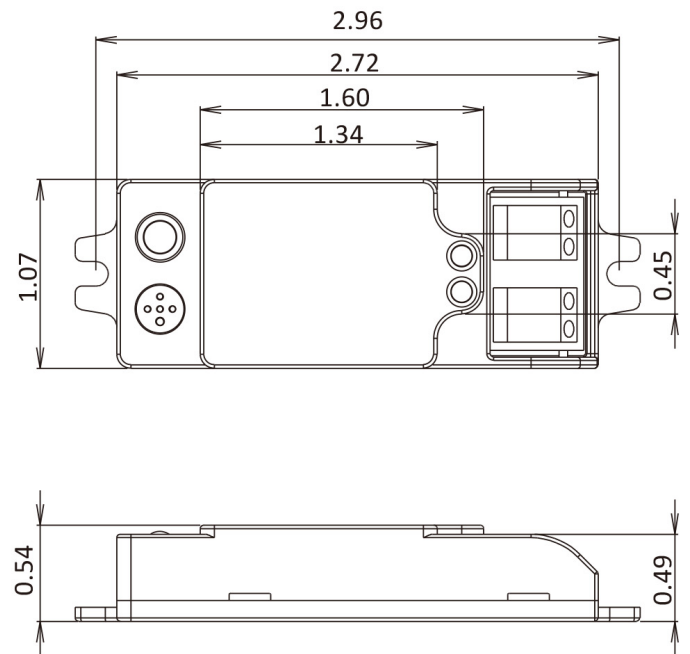
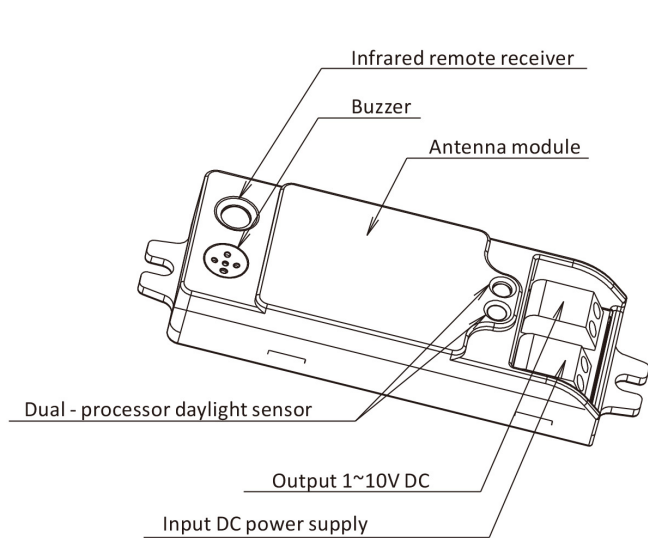
LIGHT EFFICIENT DESIGN HEADQUARTERS 188 S. Northwest Highway • Cary, IL 60013  
 INNOVATION & MANUFACTURING CENTER 30 Log Bridge Road, Building 200 • Middleton, MA 01949

847.380.3540 • led-llc.com  
 05.04.21 Information is subject to change without notice.

# RP-LBE-G2 RETROFIT FOR LINEAR FLUORESCENT LUMINAIRES

## SENSOR OPTIONS: OCC / OCCLR

- OCC Standard high/low motion sensor
  - Remote IR12
- OCCLR Limited range high/low motion sensor
  - Remote IR12



- occupancy sensor w/ daylight hold-off
- powered by 12V DC LED driver from fixture - provided by the LED power supply
- high frequency radar occupancy sensor
- infrared remote control available (sold separately)
- uses less than 0.1W in standby mode



**Light Efficient Design**

LIGHT EFFICIENT DESIGN HEADQUARTERS 188 S. Northwest Highway • Cary, IL 60013  
INNOVATION & MANUFACTURING CENTER 30 Log Bridge Road, Building 200 • Middleton, MA 01949

847.380.3540 • led-llc.com

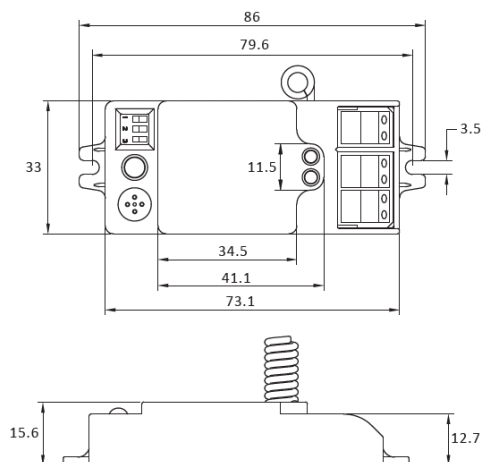
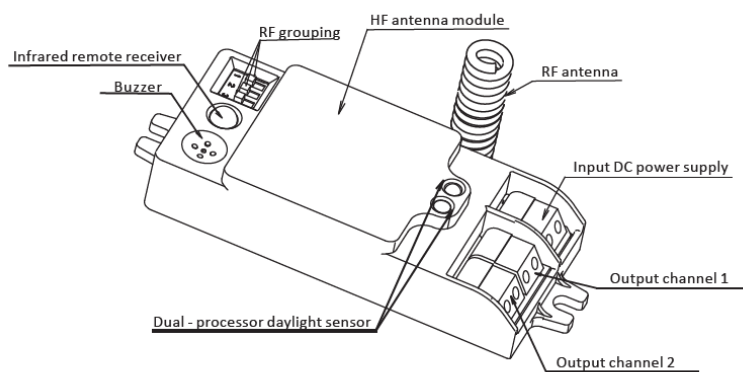
05.04.21 Information is subject to change without notice.

# RP-LBE-G2 RETROFIT FOR LINEAR FLUORESCENT LUMINAIRES



## SENSOR OPTIONS: OCCRF (SIMPLE GROUPING SENSOR)

- OCCRF Simple grouping high/low motion sensor
- Remote IR13

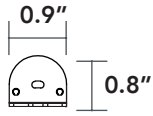


- simple grouping motion sensor w/ daylight hold-off
- powered by 12V DC - provided by the LED power supply
- max 150 ft grouping range
- ideal for stairways, parking garages and hallways
- grouping by remote or dip switch (infrared remote control sold separately)
- uses less than 0.1W in standby mode



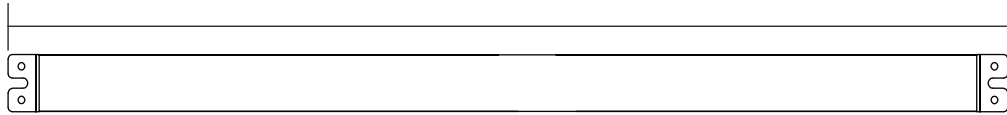
# RP-LBE-G2 RETROFIT FOR LINEAR FLUORESCENT LUMINAIRES

## LED BAR DIMENSIONS



### OVERALL LENGTH

1FT = 10.2"  
 2FT = 21.65"  
 3FT = 34.25"  
 4FT = 44.37"



## SPECIFICATION GUIDE

### OUTPUT

MODEL	RP-LBE-G2-DRV-12W	RP-LBE-G2-DRV-12W-HV	RP-LBE-G2-DRV-25W	RP-LBE-G2-DRV-25W-HV	RP-LBE-G2-DRV-45W	RP-LBE-G2-DRV-45W-HV	RP-LBE-G2-DRV-80W	RP-LBE-G2-DRV-80W-HV
LED OUTPUT CHANNEL(S)	Single Channel	Single Channel	Single Channel	Single Channel	Single Channel	Single Channel	Single Channel	Single Channel
LED OUTPUT CURRENT - SELECTABLE (MA)	100/150/190/230	100/150/190/230	290/350/390/490	290/350/390/490	580/680/780/880	580/680/780/880	1000/1160/1370/1570	1000/1160/1370/1570
LED DC VOLTAGE RANGE	30-48V	30-48V	30-48V	30-48V	30-48V	30-48V	30-48V	30-48V
RATED POWER (MAX)	12W	12W	25W	25W	45W	45W	80W	80W
AUX VOLTAGE SOURCE	12V/50mA	12V/50mA	12V/50mA	12V/50mA	12V/50mA	12V/50mA	12V/50mA	12V/50mA

### INPUT

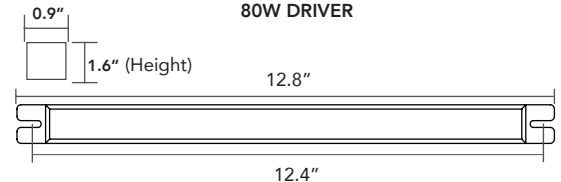
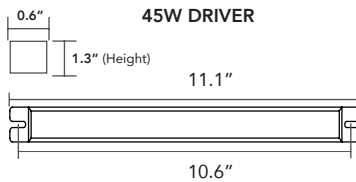
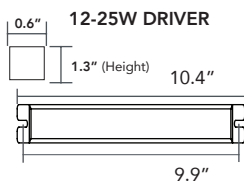
VOLTAGE RANGE	120-277VAC	120-347VAC	120-277VAC	120-347VAC	120-277VAC	120-347VAC	120-277VAC	120-347VAC
FREQUENCY RANGE	50-60HZ							
POWER FACTOR (TYP)	>0.9	>0.9	>0.9	>0.9	>0.9	>0.9	>0.9	>0.9
AC CURRENT (MAX)	0.15A @ 120V	0.15A @ 120V	0.22 @ 120V	0.22 @ 120V	0.38 @ 120V	0.38 @ 120V	0.70 @ 120V	0.70 @ 120V
LEAKAGE CURRENT	<0.75mA	<0.75mA	<0.75mA	<0.75mA	<0.75mA	<0.75mA	<0.75mA	<0.75mA
INRUSH CURRENT	50A @ 277V	50A @ 277V	50A @ 277V	50A @ 277V	50A @ 277V	50A @ 277V	50A @ 277V	50A @ 277V
THD	<0.20	<0.20	<0.20	<0.20	<0.20	<0.20	<0.20	<0.20

### PROTECTION

OVER CURRENT	105-125% Protection type: Shut down output voltage
LED SHORT CIRCUIT	A short condition on any of output shall cause no damage to the power supply. The unit shall recover and function automatically as soon as the short condition is removed.
LED OPEN CIRCUIT	An open condition on any of output shall cause no damage to the power supply. The unit shall recover and function automatically as soon as the open condition is removed.
OVER VOLTAGE	105-125% Protection type: Shut down output voltage
SAFETY	UL8750 CLASS 2 CLASS P

### ENVIRONMENT

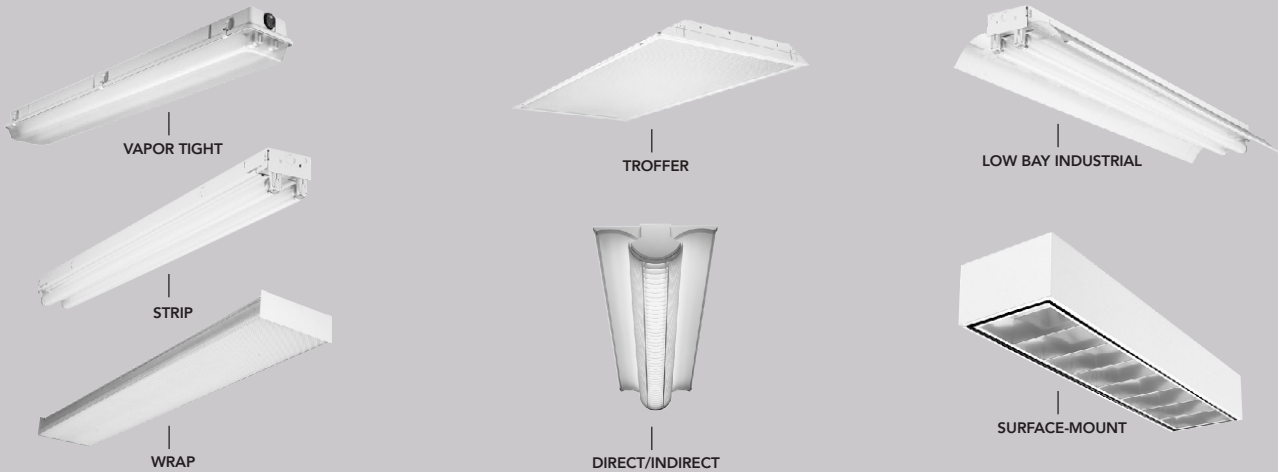
WORKING TEMP	-20C to 50C
WORKING HUMIDITY	< 90% RH
STORAGE TEMP	-20C to 80C
STORAGE HUMIDITY	< 90% RH
TEMP COEFFICIENT	0.03%/°C (0-40°C)
VIBRATION	10-500Hz, 2G 12Min / 1cycle, period for 72min each along X, Y, Z axes



# RP-LBE-G2 RETROFIT FOR LINEAR FLUORESCENT LUMINAIRES



EASILY RETROFIT THESE FIXTURE STYLES, AND MORE!




## ORDERING DIRECTIONS (SEE ORDERING GUIDE ON NEXT PAGE)

- A) Choose your desired total system wattage and lumen output.
- B) Choose your desired LEDBAR length (1,2, 3 or 4FT) and QTY of LEDBAR(s) per driver from column C.
- D) Order system part # (a system will include 1pc LED driver + LEDBAR(s). Substitute "XX" in the 8XX for your desired CCT. 30 (3000K), 35 (3500K), 40 (4000K) and 50 (5000K) are standard color temps. 27 (2700K), 65 (6500K) are custom colors and are special order.
- E) The wattage of each LEDBAR in the system.
- F) The lumen output of each LEDBAR in the system.

*If the system you want is not currently a listed part #, please contact us for a letter to send to your Utility for custom incentive approval.*

**CAUTION! MAX WATTAGES PER LEDBAR**  
 1FT: 7.5W 2FT: 12.5W 3FT: 12.5W 4FT: 25W

 If you require BAA (ARRA Section 1605) add -AA at end of part number.

*For BAA projects, please contact our projects quotations team.*

### STANDARD COLOR TEMPS AVAILABLE

3000K, 3500K, 4000K, 5000K

### SPECIAL ORDER COLOR TEMPS AVAILABLE

2700K, 6500K, RED, GREEN, BLUE, AMBER

### ORDERING EXAMPLE

A 20W/2700LM system is desired utilizing 2pcs of 2FT LEDBAR in 4000K running off 1pc of driver. For this system you would order:

SYSTEM: **RP-LBE-G2-20W-2FT-2L-8XX-10V** (All kits include driver)

TOTAL SYSTEM WATTAGE: **20W**

TOTAL SYSTEM LUMEN OUTPUT: **2700LM**

LENGTH OF LED BAR: **2FT** (actual 21.65in)

# OF LED BARS: **2pcs**

WATTAGE PER LED BAR: **10W**

LUMENS PER LED BAR: **1350LM**

PERFORMANCE LISTED KIT PART #: **RP-LBE-G2-20W-2FT-2L-8XX-10V**

PERFORMANCE QPL PRODUCT CODE: XXXXXX

## PART NUMBER BUILDER

MFR	PRODUCT	GENERATION	WATTAGE	LENGTH	# OF LAMPS	COLOR	DIMMING	OPTIONS
RP	LBE	G2	W		L	8XX		
			6	1FT	1L	8 = 80+ CRI	10V	EMG
			8	2FT	2L	XX = CCT	LVD	HV (120-347V)
			10	3FT	3L	30 = 3000K	1 Step	AA (ARRA Section 1605)
			12	4FT	4L	35 = 3500K	2 Step	OCC
			15			40 = 4000K		OCCLR (Limited Range)
			18			50 = 5000K		OCCRF
			20					
			25					
			30					
			35					
			40					
			45					
			50					
			60					
			70					
			80					



LIGHT EFFICIENT DESIGN HEADQUARTERS 188 S. Northwest Highway • Cary, IL 60013  
 INNOVATION & MANUFACTURING CENTER 30 Log Bridge Road, Building 200 • Middleton, MA 01949

847.380.3540 • led-llc.com

05.04.21 Information is subject to change without notice.

# RP-LBE-G2 RETROFIT FOR LINEAR FLUORESCENT LUMINAIRES



## ORDERING GUIDE

	PART #	BARS PER DRIVER	BAR LENGTH	TOTAL LUMENS*	DLC CATEGORY	DLC CODES		
						3500K	4000K	5000K
6W	RP-LBE-G2-6W-1FT-1L-8XX-10V	1	1FT	930				
	RP-LBE-G2-6W-1FT-2L-8XX-10V	2	1FT	900				
	RP-LBE-G2-6W-2FT-1L-8XX-10V	1	2FT	936	Linear Ambient	PRB3E2VH	PX817GIG	PHGDUW8H
	RP-LBE-G2-6W-3FT-1L-8XX-10V	1	3FT	894	Linear Ambient	P1Q3OPXM	PP924MAB	PBNZQWRK
	RP-LBE-G2-6W-4FT-1L-8XX-10V	1	4FT	756	Linear Ambient	P8R5JB3E	P5QXPXX0	PSW5EGIT
8W	RP-LBE-G2-8W-1FT-1L-8XX-10V	1	1FT	1240				
	RP-LBE-G2-8W-1FT-2L-8XX-10V	2	1FT	1190				
	RP-LBE-G2-8W-2FT-1L-8XX-10V	1	2FT	1288	Linear Ambient	P62A55CE	PVJA0P94	PQE7OFFV
	RP-LBE-G2-8W-3FT-1L-8XX-10V	1	3FT	1264	Linear Ambient	PECHEP2F	PE3U62N3	P52SB5KC
	RP-LBE-G2-8W-4FT-1L-8XX-10V	1	4FT	1232	Linear Ambient	PQV4C8WI	PENZ5M00	PHDXFH50
10W	RP-LBE-G2-10W-1FT-2L-8XX-10V	2	1FT	1550				
	RP-LBE-G2-10W-1FT-3L-8XX-10V	3	1FT	1488				
	RP-LBE-G2-10W-2FT-1L-8XX-10V	1	2FT	1640	Linear Ambient	PAG1QYAT	PS05KCWZ	PON4R76H
	RP-LBE-G2-10W-2FT-2L-8XX-10V	2	2FT	1440				
	RP-LBE-G2-10W-2FT-3L-8XX-10V	3	2FT	1162				
	RP-LBE-G2-10W-3FT-1L-8XX-10V	1	3FT	1640	Linear Ambient	PO7JATAZ	PQSXHIOL	P9Y4IPU5
	RP-LBE-G2-10W-4FT-1L-8XX-10V	1	4FT	1630	Linear Ambient	PUPFZA3E	P7M0BTFL	P1JE9JZ6
12W	RP-LBE-G2-12W-1FT-2L-8XX-10V	2	1FT	1860				
	RP-LBE-G2-12W-1FT-3L-8XX-10V	3	1FT	1786				
	RP-LBE-G2-12W-2FT-1L-8XX-10V	1	2FT	1968	Linear Ambient	PLQ8PMUV	P44M01CD	PJDFP97Z
	RP-LBE-G2-12W-2FT-2L-8XX-10V	2	2FT	1728				
	RP-LBE-G2-12W-2FT-3L-8XX-10V	3	2FT	1728				
	RP-LBE-G2-12W-3FT-1L-8XX-10V	1	3FT	1992	Linear Ambient	POD0UQWQ	P8NS0WEQ	PYMKCGPJ
	RP-LBE-G2-12W-3FT-2L-8XX-10V	2	3FT	1788				
	RP-LBE-G2-12W-4FT-1L-8XX-10V	1	4FT	1956	Linear Ambient	PTM4M6BO	PLLHCS0Y	PZ8N20Q3
	RP-LBE-G2-12W-4FT-2L-8XX-10V	2	4FT	1848				
15W	RP-LBE-G2-15W-1FT-2L-8XX-10V	2	1FT	2325				
	RP-LBE-G2-15W-1FT-3L-8XX-10V	3	1FT	2232				
	RP-LBE-G2-15W-2FT-2L-8XX-10V	2	2FT	2340				
	RP-LBE-G2-15W-2FT-3L-8XX-10V	3	2FT	2160	Troffer	PGFMWM4H	PXBV2E1D	PACQE8VC
	RP-LBE-G2-15W-3FT-1L-8XX-10V	1	3FT	2505	Troffer	PTSOZL8L	PSC036CO	PGQ7VD51
	RP-LBE-G2-15W-3FT-2L-8XX-10V	2	3FT	2370				
	RP-LBE-G2-15W-3FT-3L-8XX-10V	3	3FT	2235				
	RP-LBE-G2-15W-4FT-1L-8XX-10V	1	4FT	2505	Linear Ambient	PFBAB42G	P95LQPN8	P4IB866H
	RP-LBE-G2-15W-4FT-2L-8XX-10V	2	4FT	2310	Troffer	P3TJZKN0	P2HEA375	PPCNUKDM
18W	RP-LBE-G2-18W-1FT-3L-8XX-10V	3	1FT	2790				
	RP-LBE-G2-18W-1FT-4L-8XX-10V	4	1FT	2678				
	RP-LBE-G2-18W-2FT-2L-8XX-10V	2	2FT	2898	Troffer	P2Y1B1X1	PUPC18ML	PB45RQR6
	RP-LBE-G2-18W-2FT-3L-8XX-10V	3	2FT	2592	Troffer	PKPOHC8J	PRJQYIEJ	PQ9SX3X8
	RP-LBE-G2-18W-2FT-4L-8XX-10V	4	2FT	2592				
	RP-LBE-G2-18W-3FT-2L-8XX-10V	2	3FT	2844				
	RP-LBE-G2-18W-3FT-3L-8XX-10V	3	3FT	2682				
	RP-LBE-G2-18W-3FT-4L-8XX-10V	4	3FT	2682				
	RP-LBE-G2-18W-4FT-1L-8XX-10V	1	4FT	3024	Linear Ambient	PAYNDYTS	PHFUO1IL	PEF3GEG2
	RP-LBE-G2-18W-4FT-2L-8XX-10V	2	4FT	2934	Troffer	P2JDXXCOG	PC86OTIW	P9JWLLPC
	RP-LBE-G2-18W-4FT-3L-8XX-10V	3	4FT	2772	Troffer	PZCC33MV	PZ35A5M2	PHF5RB7K

\*Bar lumens shown



LIGHT EFFICIENT DESIGN HEADQUARTERS 188 S. Northwest Highway • Cary, IL 60013  
 INNOVATION & MANUFACTURING CENTER 30 Log Bridge Road, Building 200 • Middleton, MA 01949  
 847.380.3540 • led-llc.com

# RP-LBE-G2 RETROFIT FOR LINEAR FLUORESCENT LUMINAIRES



## ORDERING GUIDE

	PART #	BARS PER DRIVER	BAR LENGTH	TOTAL LUMENS*	DLC CATEGORY	DLC CODES		
						3500K	4000K	5000K
20W	RP-LBE-G2-20W-1FT-3L-8XX-10V	3	1FT	3100				
	RP-LBE-G2-20W-1FT-4L-8XX-10V	4	1FT	2976				
	RP-LBE-G2-20W-2FT-2L-8XX-10V	2	2FT	3220	Troffer	PBKQL1GY	PZA4UKKG	PUZ55K88
	RP-LBE-G2-20W-2FT-3L-8XX-10V	3	2FT	2880	Troffer	P8LQ5KD0	PZTA6GYH	PX49U54Z
	RP-LBE-G2-20W-2FT-4L-8XX-10V	4	2FT	2880				
	RP-LBE-G2-20W-3FT-2L-8XX-10V	2	3FT	3280				
	RP-LBE-G2-20W-3FT-3L-8XX-10V	3	3FT	3160				
	RP-LBE-G2-20W-3FT-4L-8XX-10V	4	3FT	3160				
	RP-LBE-G2-20W-4FT-1L-8XX-10V	1	4FT	3360	Linear Ambient	PLYHZD1Z	P3U4EIAF	P8NNERJ7
	RP-LBE-G2-20W-4FT-2L-8XX-10V	2	4FT	3260	Troffer	P91B4W7O	POK6M2XP	PH9386HN
RP-LBE-G2-20W-4FT-3L-8XX-10V	3	4FT	3080	Troffer	PLOSOXVE	PL4ZAMLI	PXBW8K6S	
25W	RP-LBE-G2-25W-1FT-4L-8XX-10V	4	1FT	3875				
	RP-LBE-G2-25W-2FT-3L-8XX-10V	3	2FT	4025	Troffer	PQUGP3E1	P6RV8JX4	PDPD6MP2
	RP-LBE-G2-25W-2FT-4L-8XX-10V	4	2FT	3900				
	RP-LBE-G2-25W-3FT-3L-8XX-10V	3	3FT	4100				
	RP-LBE-G2-25W-3FT-4L-8XX-10V	4	3FT	3950				
	RP-LBE-G2-25W-4FT-1L-8XX-10V	1	4FT	4175	Linear Ambient	POBJJTPC	PR17YM6C	PW9U36FX
	RP-LBE-G2-25W-4FT-2L-8XX-10V	2	4FT	4175	Troffer	PNVYU5CC	PHS92SIE	PY4COSG4
	RP-LBE-G2-25W-4FT-3L-8XX-10V	3	4FT	3850	Troffer	P3MWG6MS	PSE0GEDN	PA60KY3D
	RP-LBE-G2-25W-4FT-4L-8XX-10V	4	4FT	3850				
30W	RP-LBE-G2-30W-2FT-3L-8XX-10V	3	2FT	4920	Troffer	PM44IVJJ	P3A4HYT7	P5USDXGC
	RP-LBE-G2-30W-2FT-4L-8XX-10V	4	2FT	4830				
	RP-LBE-G2-30W-3FT-3L-8XX-10V	3	3FT	4980				
	RP-LBE-G2-30W-3FT-4L-8XX-10V	4	3FT	4740				
	RP-LBE-G2-30W-4FT-2L-8XX-10V	2	4FT	5040	Troffer	PQI4QKFX	PWS00OZ8	P3RAZEDK
	RP-LBE-G2-30W-4FT-3L-8XX-10V	3	4FT	4890	Troffer	PZ1WEY9T	PC8JJOIQ	PJ0GHEND
	RP-LBE-G2-30W-4FT-4L-8XX-10V	4	4FT	4620	Troffer	P43S4ILF	P4WSD7GG	PBYLVMZ2
35W	RP-LBE-G2-35W-2FT-3L-8XX-10V	3	2FT	5740	Troffer	PE0YFJMK	P00MVBYS	PDT0BYAZ
	RP-LBE-G2-35W-2FT-4L-8XX-10V	4	2FT	5635				
	RP-LBE-G2-35W-3FT-3L-8XX-10V	3	3FT	5810				
	RP-LBE-G2-35W-3FT-4L-8XX-10V	4	3FT	5740				
	RP-LBE-G2-35W-4FT-2L-8XX-10V	2	4FT	5880	Troffer	PCEAYOLH	PHHJJ7Q7	PO5E8UIB
	RP-LBE-G2-35W-4FT-3L-8XX-10V	3	4FT	5705	Troffer	PI206DOG	PA221SYC	PREJ56PF
	RP-LBE-G2-35W-4FT-4L-8XX-10V	4	4FT	5390	Troffer	PRNA6ERF	PHRLQ6NW	PLGQQSHD
40W	RP-LBE-G2-40W-2FT-4L-8XX-10V	4	2FT	6560				
	RP-LBE-G2-40W-3FT-4L-8XX-10V	4	3FT	6560				
	RP-LBE-G2-40W-4FT-2L-8XX-10V	2	4FT	6680	Troffer	PSAJ16B6	PIVIEP1	PFE9LAKI
	RP-LBE-G2-40W-4FT-3L-8XX-10V	3	4FT	6680	Troffer	PJO5URF7	PNO08S2C	P4LWQKGI
	RP-LBE-G2-40W-4FT-4L-8XX-10V	4	4FT	6520	Troffer	PMUONBP2	P31MKH82	P5DSYCK7

\*Bar lumens shown



LIGHT EFFICIENT DESIGN HEADQUARTERS 188 S. Northwest Highway • Cary, IL 60013  
 INNOVATION & MANUFACTURING CENTER 30 Log Bridge Road, Building 200 • Middleton, MA 01949

# RP-LBE-G2 RETROFIT FOR LINEAR FLUORESCENT LUMINAIRES



## ORDERING GUIDE

### DLC CODES

	PART #	BARS PER DRIVER	BAR LENGTH	TOTAL LUMENS*	DLC CATEGORY	DLC CODES		
						3500K	4000K	5000K
45W	RP-LBE-G2-45W-2FT-4L-8XX-10V	4	2FT	7380				
	RP-LBE-G2-45W-3FT-4L-8XX-10V	4	3FT	7470				
	RP-LBE-G2-45W-4FT-2L-8XX-10V	2	4FT	7425	Troffer	P29BQ4XQ	PCGLIANA	P9AGK00M
	RP-LBE-G2-45W-4FT-3L-8XX-10V	3	4FT	7515	Troffer	P8K4KU9Y	P6Y6FQN6	PBM805KP
	RP-LBE-G2-45W-4FT-4L-8XX-10V	4	4FT	7335	Troffer	PZQKU0RR	PH63ZGAD	PRISOQAK
50W	RP-LBE-G2-50W-4FT-2L-8XX-10V	2	4FT	8200				
	RP-LBE-G2-50W-4FT-3L-8XX-10V	3	4FT	8400	Troffer	PSCL7TGG	PK9A6WJM	PGZMX0RE
	RP-LBE-G2-50W-4FT-4L-8XX-10V	4	4FT	8400	Troffer	PXY07A81	P0EJEM2B	P0R8NUEX
60W	RP-LBE-G2-60W-4FT-3L-8XX-10V	3	4FT	10,080	Troffer	PBEJYDS6	PO6P4ODV	P6YFJD6J
	RP-LBE-G2-60W-4FT-4L-8XX-10V	4	4FT	10,080	Troffer	P2EUH4QA	P1AAKG4I	PI559LRA
70W	RP-LBE-G2-70W-4FT-3L-8XX-10V	3	4FT	11,690	Troffer	P3HKNSD8	PMA24C2C	PDAXW1RS
	RP-LBE-G2-70W-4FT-4L-8XX-10V	4	4FT	11,760	Troffer	P7LFRT4B	PKSZD1GX	P0R0U83M
80W	RP-LBE-G2-80W-4FT-4L-8XX-10V	4	4FT	13,360	Troffer	PRPYODKD	PPW0IQ1S	PNCRDNHD

\*Bar lumens shown

### WHY USE THE LBE?

- **More efficient** because the higher efficiency optics, LEDs and drivers we use in these products provide higher lumens per watt and less wattage compared to LED tubes.
- **More reliable** because of the significant amount of aluminum that we use as a heat sink on the back of the LEDBAR to properly dissipate heat and keep the electronics cooler than LED tubes.
- **More universal fit** because our bars are designed to fit in between the sockets of either T5 or T8 fixtures. That means that you can specify a “4ft” LEDBAR for ANY T5 or T8 style fixture whether it be a troffer, a vapor tight, a pendant, a strip etc.
- **Less liability** because you will be getting rid of the old fluorescent tube sockets that often can lead to future issues such as arcing, early failure or even fire, all issues that have occurred in LED tube installations.
- **Better piece of mind** because the LEDBARKIT family comes standard with a 10-year system warranty. For example, something goes wrong with a UL Type A LED tube install, the contractor ends up arguing with the LED tube manufacturer, the ballast manufacturer and the socket manufacturer to see who is at blame. **By purchasing the LEDBARKIT system, RemPhos/Light Efficient Design provides a single, easy point of contact for the system warranty.**

