



FREE TO SHINE

OFF-GRID

G2 LED SOLAR AREA LIGHT
8W AND 30W OPTIONS

The Solera Solar Lighting Area Light features an all-in-one design. The solar panel, light engine and battery are built right into the LED fixture. No need for a power source, which eliminates the need for wiring and trenching.



- Perfect for parks, parking lots, school campuses, etc.
- New MPPT Solar Charge Controller optimizes charging under all conditions.
- Advanced new LiFePO4 battery lasts at least 2000 charge cycles and will last three nights with one day charge (motion sensing mode)
- 8W comparable to 70W HID
- 30W comparable to 250W HID
- Easily programmable via remote control.
- Built-in motion sensor and photo control.
- Built-in status indicator.

PART #	UPC	COMPARABLE TO	LUMENS	CCT	EPA	DIMENSIONS
RP-SAL-8W-50K-SF-GY-G2	844006080150	70W HID	1600	5000K	1.824	20 x 12 x 3 in.
RP-SAL-30W-50K-SF-GY-G2	844006080235	250W HID	6000	5000K	4.788	36 x 16.75 x 3.75 in.

	CHARGE TIME	BATTERY LIFE	BATTERY CHARGING TEMP	OPERATING TEMP	BEAM ANGLE	REPLACEABLE BATTERY	RATED LIFE	WARRANTY

solera-solar.com • 847.380.3540

LIGHT EFFICIENT DESIGN HEADQUARTERS 188 S. Northwest Highway • Cary, IL 60013
 INNOVATION & MANUFACTURING CENTER 30 Log Bridge Road, Building 200 • Middleton, MA 01949
 847.380.3540 • led-llc.com

04.06.22 Information is subject to change without notice.



PART NUMBER BUILDER

MFR	PRODUCT	WATTAGE	COLOR	BRACKET	HOUSING COLOR	GEN
RP	SAL			SF	GY	G1

ORDERING EXAMPLE

RP-SAL-8W-50K-SF-GY-G2

8W 30K 50K SF=adjustable slip-fitter bracket GY=Grey
 30W 40K AMB

PLEASE NOTE, THE LEDSAL COMES STANDARD WITH THE ADJUSTABLE SLIP-FITTER BRACKET ONLY. SEE ORDERING GUIDE FOR ADDITIONAL BRACKETS AVAILABLE FOR PURCHASE.

ORDERING GUIDE

CASE QTY	QUICK SHIP	DLC	REMPHOS PART #	QUICK SHIP UPC CODE	LUMEN OUTPUT (LM)	WATTAGE (W)	LPW	WARRANTY (YRS)	RECOMMENDED MOUNTING HEIGHT (FT)
1		N/A	RP-SAL-8W-30K-SF-GY-G2	844006080266	1600	8	200	5	UP TO 15FT
1		N/A	RP-SAL-8W-40K-SF-GY-G2	844006080280	1600	8	200	5	UP TO 15FT
1	●	N/A	RP-SAL-8W-50K-SF-GY-G2	844006080150	1600	8	200	5	UP TO 15FT
1		N/A	RP-SAL-30W-30K-SF-GY-G2	844006080327	6000	30	200	5	UP TO 30FT
1		N/A	RP-SAL-30W-40K-SF-GY-G2	844006080334	6000	30	200	5	UP TO 30FT
1	●	N/A	RP-SAL-30W-50K-SF-GY-G2	844006080235	6000	30	200	5	UP TO 30FT
1		N/A	RP-SAL-8W-AMB-SF-GY-G2	844006080310	284	AMB	200	5	UP TO 30FT
1		N/A	RP-SAL-30W-AMB-SF-GY-G2	844006080358	806	AMB	200	5	UP TO 30FT

ADDITIONAL BRACKETS & ACCESSORIES

ADDITIONAL BRACKETS MUST BE PURCHASED SEPARATELY.

REMPHOS PART #	DESCRIPTION
RP-SAL-BKT-8W-RP-G1	Round pole bracket for 8W
RP-SAL-BKT-8W-SP-G1	Square pole bracket for 8W
RP-SAL-BKT-8W-TN-G1	Trunnion bracket for 8W
RP-SAL-BKT-30W-RP-G1	Round pole bracket for 30W
RP-SAL-BKT-30W-SP-G1	Square pole bracket for 30W
RP-SAL-BKT-30W-TN-G1	Trunnion bracket for 30W
RP-SAL-REMOTE-G1	RP-SAL-REMOTE-G1 (remote is included standard with each fixture ordered)
RP-SAL-BIRDGUARD	Stops birds from perching, landing or roosting on the fixture



ADJUSTABLE SLIP-FITTER BRACKET (SF)
(included w/quick ship models)



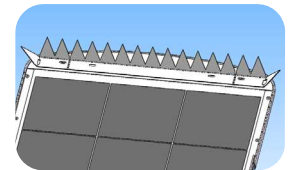
ROUND POLE BRACKET (RP)



SQUARE POLE BRACKET (SP)



TRUNNION BRACKET (TN)



BIRD GUARD

BRACKET GUIDE

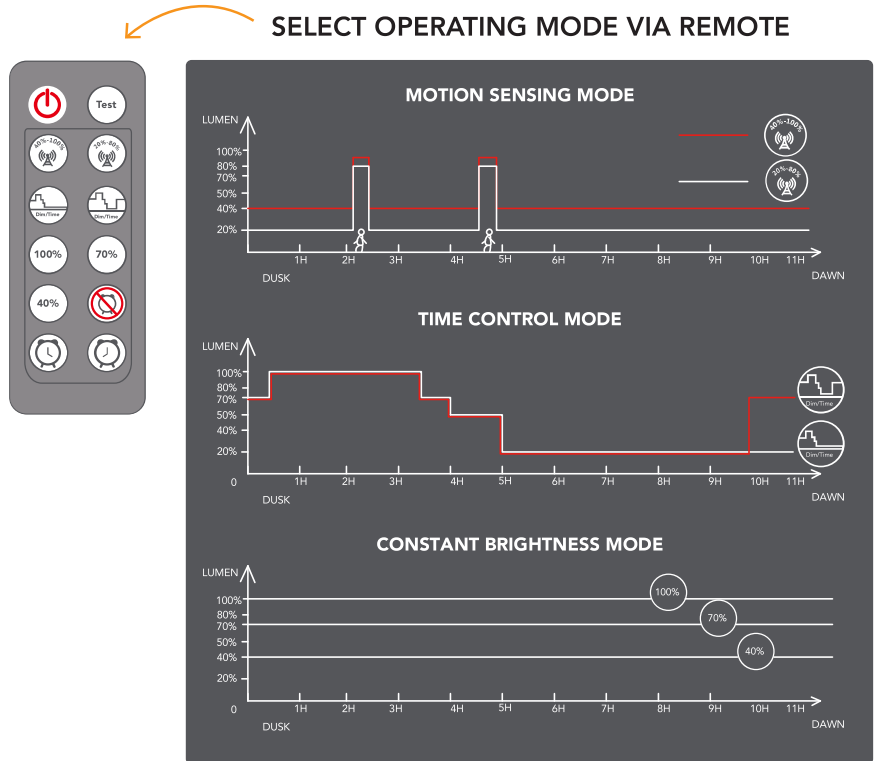
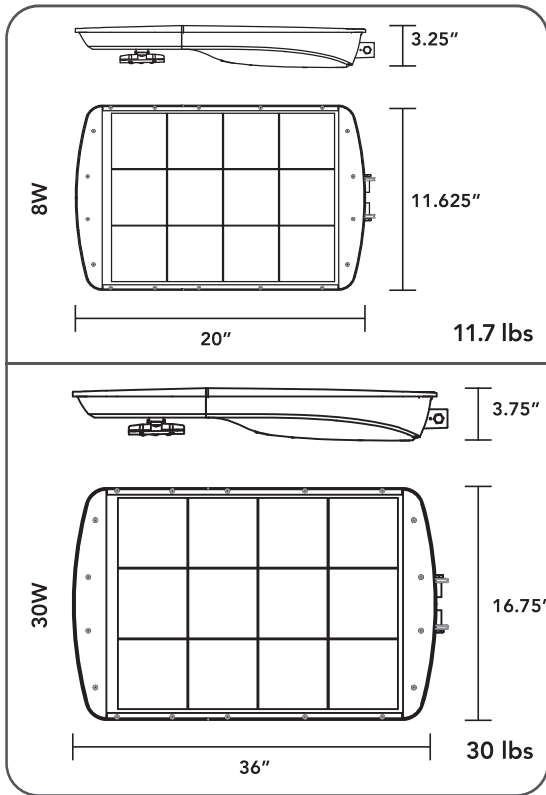
ITEM	FIXED ARM MOUNTING	SLIP FITTER MOUNTING	U-TRUNNION MOUNTING	SQUARE-HOOP MOUNTING	ROUND -HOOP MOUNTING
8W SOLAR STREETLIGHT	 1.77" - 2.63"	 1.77" - 2.63"	 1. WALL MOUNTED 2.SQUARE POLE ABOVE 3.94"	 1. ROUND POLE: 1.96" - 3.54" 2.SQUARE POLE: 1.96" - 3.54"	 1. ROUND POLE: 1.96" - 4.33"
30W SOLAR STREETLIGHT			 1. WALL MOUNTED 2.SQUARE POLE ABOVE 4.72"	 1. ROUND POLE: 2.36" - 3.94" 2.SQUARE POLE: 1.97" - 3.94"	 1. ROUND POLE: 1.96" - 4.72"

*NOTE - BRACKETS ARE ADJUSTABLE TO FIT ON POLES WITHIN THE DIMENSIONS SHOWN ABOVE EX. FIXED ARM BRACKET CAN FIT ON A POLE BETWEEN 1.77" - 2.36"

solera-solar.com • 847.380.3540

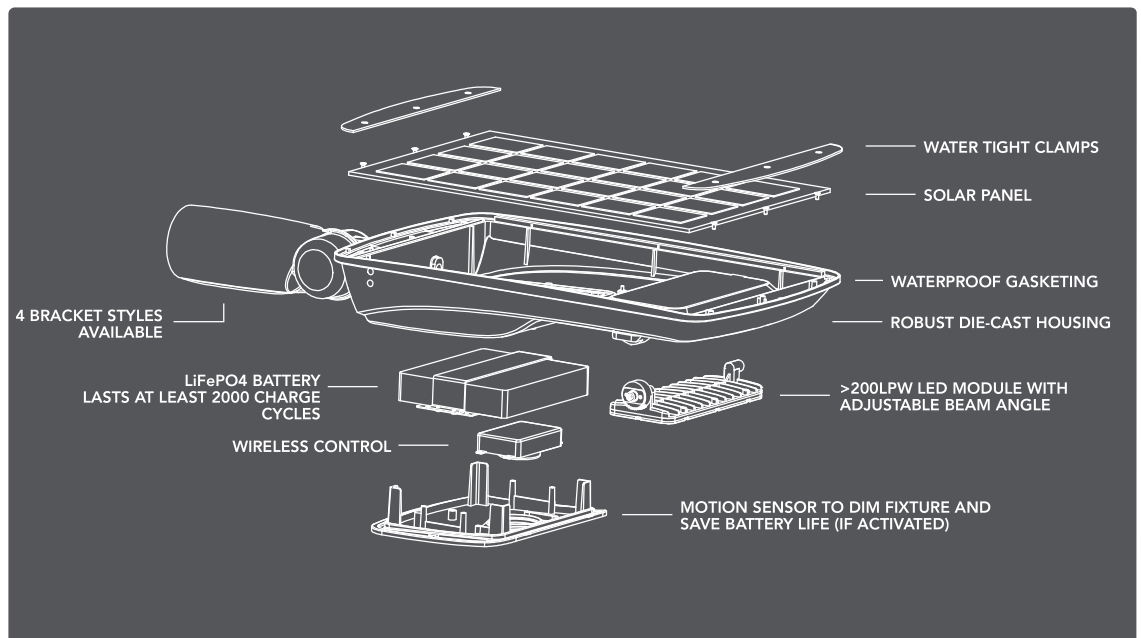
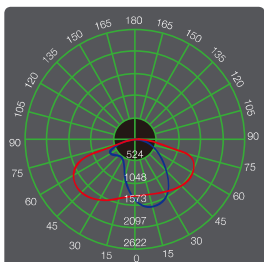
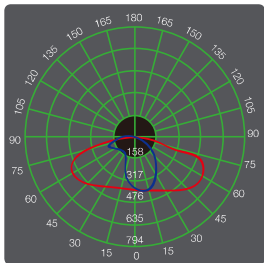
LIGHT EFFICIENT DESIGN HEADQUARTERS 188 S. Northwest Highway • Cary, IL 60013
 INNOVATION & MANUFACTURING CENTER 30 Log Bridge Road, Building 200 • Middleton, MA 01949
 847.380.3540 • led-llc.com

04.06.22 Information is subject to change without notice.



SEE INSTRUCTION MANUAL FOR MORE DETAILS ON THE AVAILABLE PROGRAMS

PHOTOMETRICS



solera-solar.com • 847.380.3540