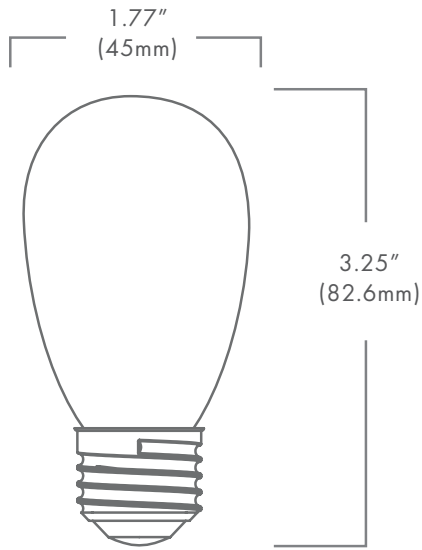


# S-14 EDGE FILAMENT



PART NUMBER: S14 FIL EDGE XXXX XXX

|      |                    |     |          |
|------|--------------------|-----|----------|
| 2200 | KELVIN TEMPERATURE | 012 | Volts AC |
| 2700 |                    |     |          |
|      |                    | 120 |          |



## DESCRIPTION:

The S14 Edge Filament is designed for use in both outdoor and indoor open fixtures where precision lighting and high color rendering is required. This lamp is ideal for inverted bistro style lighting.

## FEATURES:

- UL listed
- Clear, omni-directional light source
- Elegant, exposed filament design
- Dimmable
- UL & FCC compliant

|                    |                    |
|--------------------|--------------------|
| Wattage            | 3.5                |
| Lumens             | 245                |
| Kelvin Temperature | 2200, 2700         |
| Operating Range    | 12VAC, 110-130 VAC |
| CRI                | 95                 |
| IP                 | 64                 |
| Lamp Life (hours)  | 30,000             |
| Warranty (years)   | 3                  |