

Project Name:	
Type:	

# SEL-800

LED Edge-lit Exit Sign  
Wireless Reporting Compatible

## PRODUCT FEATURE :

### HOUSING

- Compact and decorative design
- Aluminum housing with high grade acrylic panel
- Replaceable acrylic EXIT panel
- Removable directional indicators
- Single and double face universal design
- Removable front cover for easy installation and maintenance
- 6" height red and green letter optional
- Single and double face optional
- Suitable for damp location
- LynxEM® Wireless Testing and Reporting System



### ELECTRICAL

- 120/277VAC dual voltage operation
- Test switch and charge rate indicator
- Self-test and Self-diagnostics function is available for battery backup model
- AC only model optional
- Dual AC input model optional

### LISTING

- Suitable for use in 10°C - 40°C ambient temperature, suitable for damp location
- UL listed meets or exceed all requirement in NFPA 70, NFPA 101 life safe code
- Compliant CEC title 20 efficiency regulations

### RELATED PRODUCTS

- ◊ [RCER880 Edge-lit Combo](#)
- ◊ [SCEL8000 Emergency light](#)
- ◊ [C4 Series](#)
- ◊ [S1 Series - Exit Sign](#)

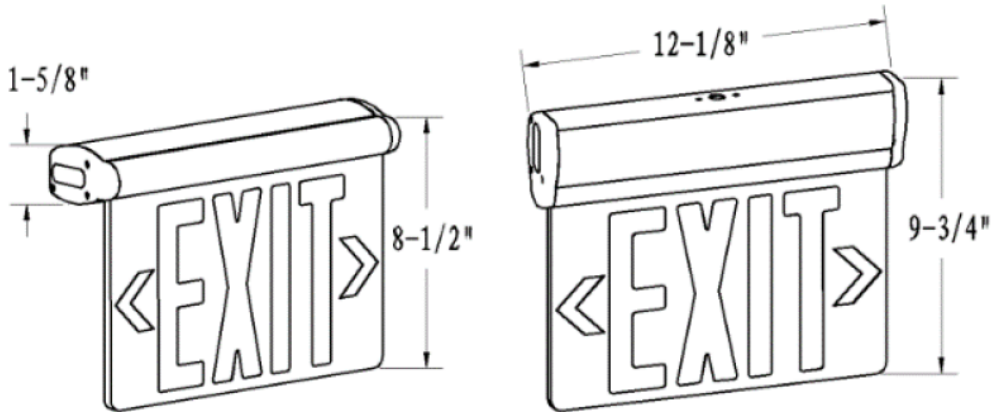
### MOUNTING

- Wall mounting, Ceiling mounting and Side mounting

### WARRANTY

- See [Limited Warranty Policy](#) for more additional information

## PRODUCT DIMENSION :



## ORDER INFORMATION: EXAMPLE: SEL800-810-D-W-ZD-AL-3-BLACK

MODEL	SERIES	FACE	LETTER COLOR	BACKGROUND	TEST FACILITY	HOUSING COLOR	VOLTAGE	PANEL
SEL800	800 Battery Backup	D Double Face	R Red	C Clear	Blank Standard Circuit	AL Aluminum	1 120/277V	Blank Standard type
	810 AC only	S Single Face	G Green	M Mirror	CT Self-diagnostics	WH White	3 220V	U Including single and double face panel for universal
	810T Dual AC input			W White	ZD Wireless Reporting LynxEM® Control			

Project Name:	
Type:	

# SEL-800

LED Edge-lit Exit Sign  
Wireless Reporting Compatible

## PRODUCT FEATURE :

NO.	MODEL NO	INPUT VOLTAGE	FACE	LETTER COLOR	TESTING FACILITY	BATTERY	RECHARGE TIME	DISCHARGE TIME	POWER CONSUMPTION
1.	SEL-800SR(C/W/M)-1-x* SEL-800SR(C/W/M)-1-x	120/277V 60Hz	Single	Red/Green	Manual	Ni-cad, AAA 4.8V300mA	24 hours	90min.	3W
2.	SEL-800DR(W/M)-1 SEL-800DG(W/M)-1	120/277V 60Hz	Double	Red/Green	Manual	Ni-cad, AAA 4.8V300mA	24 hours	90min.	3W
3.	SEL-800SR(G)(C/W/M)-CT-1-x SEL-800SR(G)(C/W/M)-CT-ZD-1-x	120/277V 60Hz	Single	Red/Green	Self-test / ZD	Ni-cad, AAA 3.6V300mA	24 hours	90min.	4W
4.	SEL-800DR(W/M)-CT-1 SEL-800DG(W/M)-CT-ZD-1	120/277V 60Hz	Double	Red/Green	Self-test / ZD	Ni-cad, AAA 3.6V300mA	24 hours	90min.	4W
5.	SEL-810SR(C/W/M)-1-x SEL-810SG(C/W/M)-1-x	120/277V 60Hz	Single	Red/Green	/	/	/	/	2.4W
6.	SEL-810DR(W/M)-1 SEL-810DG(W/M)-1	120/277V 60Hz	Double	Red/Green	/	/	/	/	2.4W
7.	SEL-810TSR(C/W/M)-1-x SEL-810TSG(C/W/M)-1-x	120/277V 60Hz	Single	Red/Green	/	/	/	/	1.8W
8.	SEL-810TDR(W/M)-1 SEL-810TDG(W/M)-1	120/277V 60Hz	Double	Red/Green	/	/	/	/	1.8W
9.	SEL-800SG(C/W/M)-3-x SEL-800DG(W/M)-3	220V 50Hz	Single	Green	Manual	Ni-cad, AAA 4.8V300mA	24 hours	90min.	3W

Noted x\* for panel option, Blank: Single face, U: including single and double face suitable for universal.

## PACKAGING :

Q'TY : 6 PCS  
N.W : 7.5 KGS  
G.W : 8.8 KGS  
MEA'S : 1.37 CUFT

