

Project Name:	
Type:	

SL-CP07LV

LED Emergency Driver

PRODUCT SPECIFICATION

DESCRIPTION

Emergency LED Driver - Output 7W (Constant), 10-60V output voltage range, output current 0.7A@10V-0.12A@60V

This Driver Will Operate The Following LED Modules

Any LED module designed to accept constant input current of 0.7-0.12A and that has a forward input voltage range of 10-60VDC.

WARRANTY

- See [Limited Warranty Policy](#) for more additional information



RELATED PRODUCTS

[Self-Diagnostic Emergency LED Battery Backup Drivers](#)

[SL-CP12LV](#)

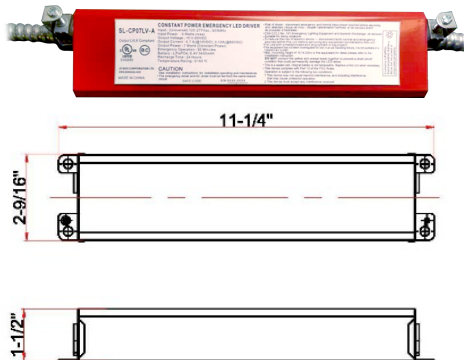
[SL-CP25LV](#)

ELECTRICAL DATA

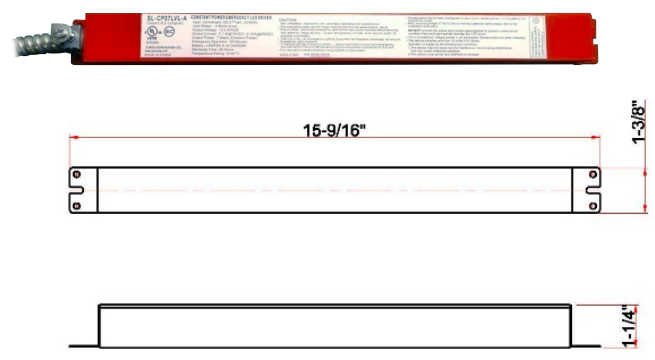
Input Voltage	120-277VAC, 50/60Hz
Input Current	50mA Max.
Input Power	4W
Blue Lead (LED Driver Output Pass Through)	3A, 60V Max.
White/Black Lead (Input Pass Through)	1A Max.
Output Current	0.7-0.12A
Output Voltage Range	10-60VDC
Output Power	7W
Battery Type/ Model Number	LiFePO4 battery, 6.4V 3200mAH
Battery Capacity Available	20.48WH
Recharge Time	24 Hours
Emergency Operation	90 Minutes
Number of Output Channels	1
RFI/EMI	FCC Part 15 Subpart B , class A
Output Type	LVLE
Ambient Operating Temperature Range	0°C to 50°C, Damp Locations
Surge Protection	IEEE C62.41 Location Category A ,Ring wave 4KV
Protections	Input Overcurrent Protection (Fusible link)
Service Life	50,000 Hours
Warranty	3 Years for fixture, 2 Years for Battery
Approvals / Class	UL, CUL, LVLE

MECHANICAL DRAWING

SL-CP07LV



SL-CP07LVL

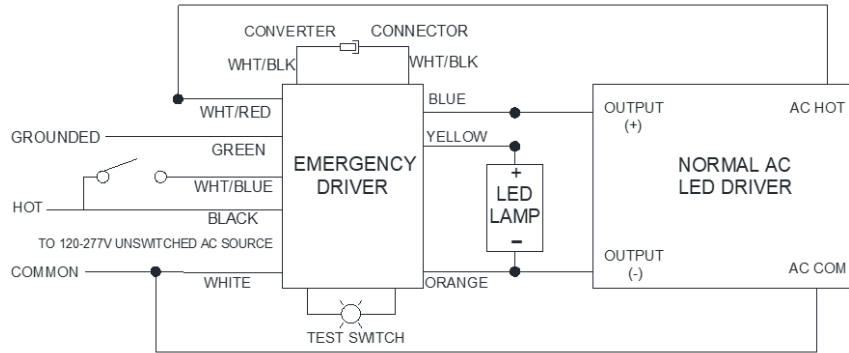


Project Name:	
Type:	

SL-CP07LV

LED Emergency Driver

WIRING DIAGRAM



OPTIONAL CONFIGURATIONS



SL-CP07LV-A-S



Conduit adaptor Test switch & indicator



SL-CP07LV-A accessories bag



SL-CP07LV-B



SL-CP07LV-B accessories bag



SL-CP07LV-A-S



Conduit adaptor Test switch & indicator



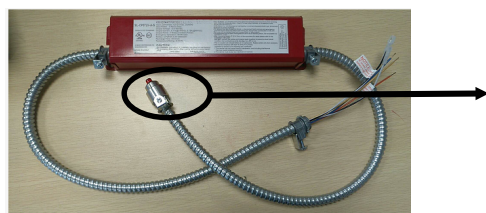
SL-CP07LV-A accessories bag



SL-CP07LV-B



SL-CP07LV-B accessories bag



SL-CP07LV-A-S



Conduit adaptor Test switch & indicator



SL-CP07LV-A-S accessories bag