



The Solera Area Light features a modular design. The battery is built into the solar panel, and the light engine can be mounted in multiple configurations. No need for a power source, which eliminates the need for trenching & wiring. High performance solar controller maximizes solar charge under all conditions.

MODULAR DESIGN

- Perfect for parks, parking lots, school campuses, etc.
- Advanced new LiFePO4 battery lasts at least 2000 charge cycles and will last up to three nights with one day charge (motion sensing mode).
- 30W comparable to 250W HID.
- Easily programmable via available remote control (not included).
- Ready to go with default program that operates for 2 hours at 80% constant output, then in reduced power mode when no motion is present. Returns to 80% output with motion.
- Built-in motion sensor, photo control & status indicator.
- Exceptional cold weather performance due to low temperature battery chemistry.
- For line drawings see pg. 3.

2-3/8" TENON

FLEXCOLOR SWITCH BETWEEN 3 CCTs



BATTERY CHARGE TIME

BATTERY CHARGE TEMP

BATTERY LIFE

REPLACEABLE BATTERY

TYPE III OPTICS

OPERATING TEMP

100,000hrs RATED LIFE

PART #	UPC	COMPARABLE TO	LUMENS	ADJUSTABLE CCT	DIMENSIONS (L X W X H)*	WEIGHT	EPA
SL-SAL-60L-FC-T3-BK-G3	197810015000	250W HID	6000	3000K/4000K/5000K	36" X 26" X 32"	45 LBS.	4.5

OPERATING MODES  TIMER  MOTION SENSING

*DIMENSIONS ARE BASED ON MOST POPULAR CONFIGURATION

Light Efficient Design

847.380.3540 • led-llc.com • sales@led-llc.com



LIGHT ENGINE

LED	192 LED. 3030 HIGH EFFICACY
MAX. POWER	30W
EFFICACY	160+ LUMENS PER WATT
CRI	70+
MAX. LUMENS	6,000 LUMENS
CCT	3000K, 4000K, 5000K SELECTABLE
CONTROLLER	MPPT CHARGE CONTROLLER
OPTICS OPTIONS	TYPE 2, TYPE 3, TYPE 4, TYPE 5
SHIELD OPTIONS	BACK LIGHT SHIELD, FULL CUTOFF SHIELD

SOLAR PANEL

TYPE	MONOCRYSTALLINE
WATTS	55W PER PANEL
VOLTAGE	12V
ADJUSTABLE	ANGLE AND ROTATION ARE FULLY ADJUSTABLE
CHARGE TIME	6 HOURS
DIMENSIONS	26.2" X 19.2" X 1.7"
WEIGHT	28.0 LB (INCLUDING BATTERY)
INGRESS PROTECTION	IP65

BATTERY

TYPE	LIFEPO4
CHARGING TEMP	-4° TO 140°F
DISCHARGING TEMP	-40° TO 140°F
REPLACEABLE	YES
CHARGE CYCLES	2000+
CHARGE VOLTAGE	14.6V
AMPERE-HOURS	23.5
WATT HOURS	300
WEIGHT	5.8LBS
BMS SYSTEM	ONBOARD FULL PROTECTION

AREA LIGHT ASSEMBLY

DESCRIPTION	30W / 6000 LUMEN AREA LIGHT
EPA	4.5
WEIGHT	45 LB

SOLAR AREA LIGHT ACCESSORIES

PART #	UPC	DESCRIPTION
SL-AL1-SHIELD-1	197810025320	BACK LIGHT SHIELD
SL-AL1-SHIELD-2	197810025337	FULL CUTOFF SHIELD
SL-AL1-LENS-T2	197810025344	LENS SET TYPE 2 OPTICS
SL-AL1-LENS-T3 *	197810025351	LENS SET TYPE 3 OPTICS
SL-AL1-LENS-T4	197810025368	LENS SET TYPE 4 OPTICS
SL-AL1-LENS-T5	197810025375	LENS SET TYPE 5 OPTICS

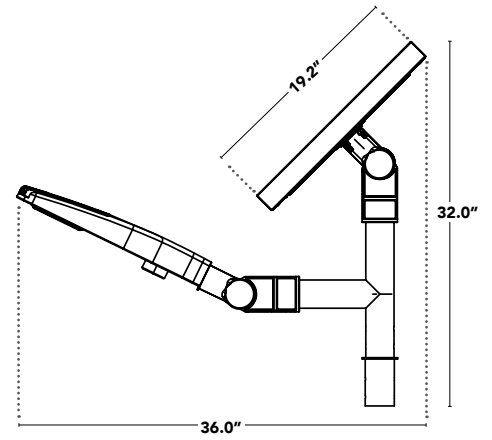
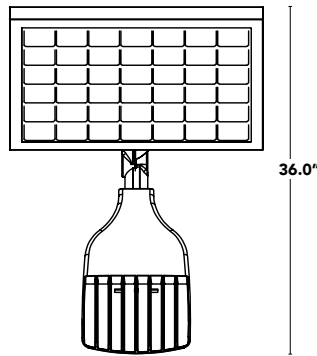
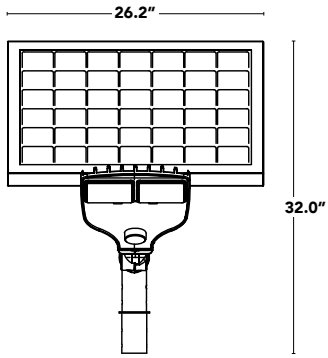
* AREA LIGHT IS SHIPPED WITH TYPE 3 LENSES INSTALLED

Light Efficient Design

847.380.3540 • led-llc.com • sales@led-llc.com



DIMENSIONS



Light Efficient Design

847.380.3540 • led-llc.com • sales@led-llc.com