

PUCK 6, 80CRI



install video

SL12 EOS LED RETROFIT KITS

- UL 1598 Classified Retrofit Kit
- AC Driver-On-Board Technology
- Data Per NVLAP Accredited Laboratory
- Electronic Dimming (see page 122)
- 5 Year Warranty*



SPECIFICATIONS

- Input Voltage: 120VAC; 50/60hz
- 14W, 22W Models
- Available In 3000K Or 4000K
- High Power Factor > 0.95
- Estimated 50,000 Hrs L70
- Optical Grade Polycarbonate Lens
- Installation Options Include Key Hole Slots, Nipple, Or Mounting Holes On Back
- Integrated Aluminum Heat Sink With Ground Wire
- On Board Line Surge Protection
- Can Be Used To Comply With 2016 Title 24 Part 6 High Efficacy LED Light Source Requirements In Outdoor Applications
- 18 AWG Leads, 18" Length
- UL 1598 Classified
- FCC Compliance Class B

*MINIMUM DIMENSION REQUIREMENTS

- Diffuser: 6.10" Dia X 3.7" Depth
- Lamp Compartment Volume: 124.9 In³

LUMENS & CCT @ 80CRI

14W EOS LAMP
1430lm, 3000K = 102lm/W
1500lm, 4000K = 103lm/W

22W EOS LAMP
1950lm, 3000K = 88lm/W
2130lm, 4000K = 96lm/W

Photometrics available upon request

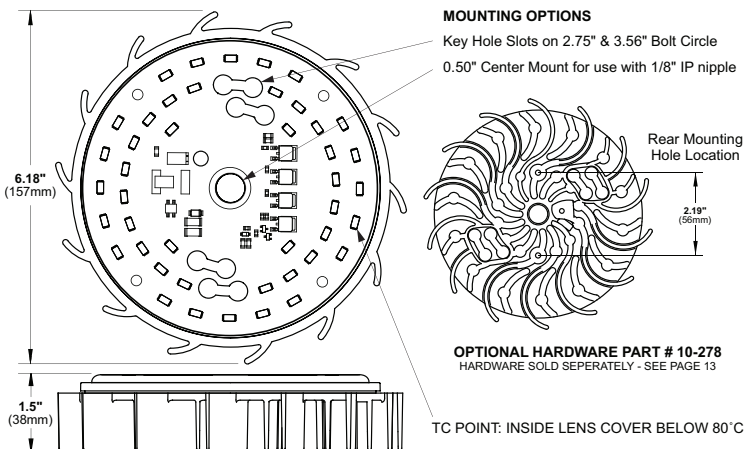
PART NUMBER GUIDE

SL12 - AC120R - W

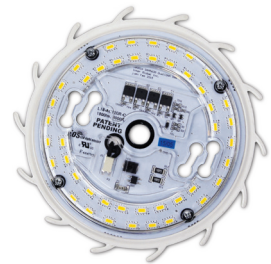
SL12 14W
SL18 22W

AC120R 120V, 80CRI

W 3000K
C 4000K



SL12-AC120R-W
14W, 1430LM, 3000K



SL18-AC120R-W
22W, 1950LM, 3000K

SL12-AC120R-C
14W, 1500LM, 4000K

SL18-AC120R-C
22W, 2130LM, 4000K