

## EOS LED RETROFIT KITS

- **UL 1598 Classified Retrofit Kit**
- **AC Driver-On-Board Technology**
- **Data Per NVLAP Accredited Laboratory**
- **Electronic Dimming** (see page 112)
- **Energy Star CSD**
- **5 Year Warranty**  
(LED-MOV1 required for outdoor applications)



RoHS  
compliant



install video

### SPECIFICATIONS

- Input Voltage: 120VAC; 50/60Hz
- 14W & 22W Models
- Available in 3000K or 4000K
- High power factor > 0.95
- Estimated 50,000 hrs L70
- Optical grade polycarbonate lens
- Installation options include key hole slots, nipple, or mounting holes on back
- Integrated aluminum heat sink with ground wire
- Can be used to comply with 2016 Title 24 part 6 High Efficacy LED Light Source Requirements In Outdoor Applications
- On board line surge protection
- Optional supplemental surge protection
- 18" 18 AWG Leads
- UL 1598 Classified
- FCC compliance Class B

### MINIMUM DIMENSION REQUIREMENTS

- Diffuser: 6.10" dia x 3.7" depth
- Lamp Compartment Volume: 124.9 in<sup>3</sup>

### LUMENS & CCT @ 80CRI

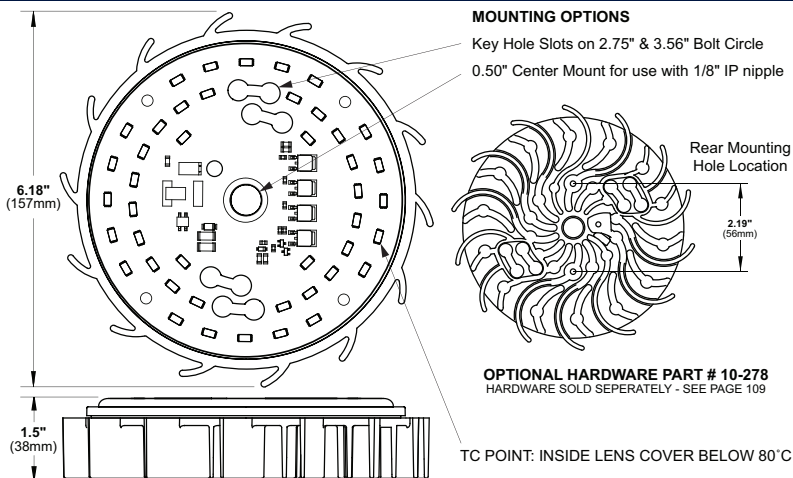
#### 14W EOS RETROFIT

1430lm, 3000K = 102lm/W  
1500lm, 4000K = 103lm/W

#### 22W EOS RETROFIT

1950lm, 3000K = 88lm/W  
2130lm, 4000K = 96lm/W

Photometrics available on request



**SL12-AC120R-W**  
14W, 1430LM, 3000K



**SL18-AC120R-W**  
22W, 1950LM, 3000K

**SL12-AC120R-C**  
14W, 1500LM, 4000K

**SL18-AC120R-C**  
22W, 2130LM, 4000K

### PART NUMBER GUIDE

**SL12 - AC120R - W - M**

**SL12** 14W  
**SL18** 22W

**AC120R** 120V INPUT VOLTAGE  
80CRI

**W** 3000K  
**C** 4000K

**M** LED-MOV1 SUPPLEMENTAL  
SURGE PROTECTION  
SEE PAGE 109

### OPTIONAL