

SORAA[®] PREMIUM LED PAR 30 LONG 3000K 18.5W



OUTPUT	1400-30840 CBCP, 1300 Lumens
BEAM	9°, 25°, 36°, 60°
COLOR	CCT: 3000K CRI>80, R9>0
APPLICATION	Halogen replacement for indoor and outdoor applications

PERFORMANCE

CBCP matches standard incandescent and halogen lamps
 Single light source, single crisp shadow
 Narrow spot compatible with Soraa SNAP System accessories

COLOR AND WHITENESS

Rich saturated color rendering
 Excellent color stability
 Superior white rendering based on >70% excitation of Optical Brightening Agents (OBA) with spectral emission between 400nm and 440nm

OPTIMIZED FORM

Compatible with standard fixtures
 Proprietary fanless aluminum design for superior thermal dissipations

HIGHLY COMPATIBLE

Works with trailing edge and leading edge phase cut dimmers (see complete list at www.soraa.com)

SPECIFICATIONS*

Color		Electrical			Form Factor				
CCT: 3000K		Dimmable to 10%			Width: 3.78"				
CRI>80, R9>0		Power factor: 0.90			Height: 4.45"				
White point: Within 3-step McAdam ellipse		Voltage: 120V +/- 12V			Weight: 295g				
Reference Number	Product Code	Beam	Field	CBCP	Watts	Halogen Equip**	Lumen	Lm/W	
SP30L-18-09D-830-03	00787	9°	13°	30840	18.5	120W	1300	70	
SP30L-18-25D-830-03	00789	25°	38°	6900	18.5	120W	1300	70	
SP30L-18-36D-830-03	00791	36°	53°	3200	18.5	120W	1300	70	
SP30L-18-60D-830-03	00793	60°	82°	1400	18.5	120W	1300	70	

*at stable warm operating conditions (25°C ambient)

**Energy Star minimum

120V



3000K

CRI >80



DIM



SORAA PREMIUM LED PAR 30 LONG 3000K 18.5W

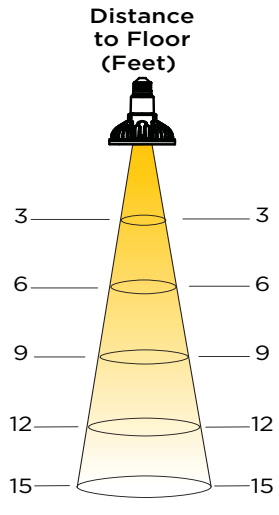
PHOTOMETRICS

Narrow Spot 9°

Beam Dia at 50% CBCP (ft)	Field Dia at 10% CBCP (ft)	Foot-candles
0.42	0.68	3427
0.84	1.37	857
1.26	2.05	381
1.68	2.73	214
2.10	3.42	137

Narrow Flood 25°

Beam Dia at 50% CBCP (ft)	Field Dia at 10% CBCP (ft)	Foot-candles
1.33	2.07	767
2.66	4.13	192
3.99	6.20	85
5.32	8.26	48
6.65	10.33	31



Flood 36°

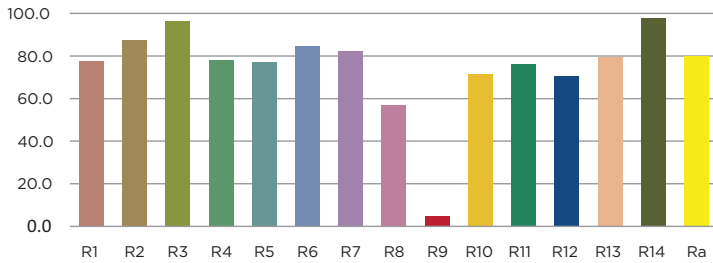
Beam Dia at 50% CBCP (ft)	Field Dia at 10% CBCP (ft)	Foot-candles
1.95	2.99	356
3.90	5.98	89
5.85	8.97	40
7.80	11.97	22
9.75	14.96	14

Wide Flood 60°

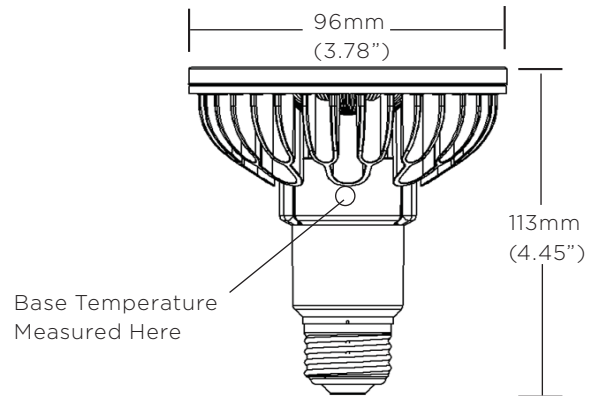
Beam Dia at 50% CBCP (ft)	Field Dia at 10% CBCP (ft)	Foot-candles
3.46	5.22	156
6.93	10.43	39
10.39	15.65	17
13.86	20.86	10
17.32	26.08	6

COLOR RENDERING

CRI - Relative R Values



DIMENSIONS



SAFETY NOTE ON HEAT

Soraa's unique LED technology allows its lamps to operate effectively and efficiently at higher temperatures than other LED lamps, resulting in more light output per diode. Although Soraa's lamps operate at cooler temperatures than halogen lamps, it is recommended that gloves be worn when handling bare lamps that have been energized.

TRANSFORMER/DIMMER COMPATIBILITY

Dimmable to 10% or lower, depending on dimmer. Complete transformer and dimmer compatibility information available at www.soraa.com.