



| | |
|----------|------|
| Project | |
| Notes | |
| Type | Date |
| Cat. No. | |

STL™ UX Series

LED Stairwell Strip Luminaire - CCT Select



DESCRIPTION

The Aleo STL™ UX Series CCT Field Adjustable Stairwell Strip Luminaire delivers high performance with deep energy savings. The LED luminaire comes equipped with a multi-level occupancy sensor enhancing safety and security in stairwells, hallways and corridors.

APPLICATIONS

Stairwell, Hallways, Corridors, Closets, Pathways



Specification Features

Construction

Integral LED gear tray and reflector with driver on board allows for easy installation and handling. Luminaire features matte white durable finish. Diffuser requires no additional frame or fastener for easy installation.

Installation / Mounting

Ideal for wall or ceiling surface mount. Mounts via keyholes or directly to J-Box.

Optical System

Reflector systems features highly reflective coating and delivers balanced, comfortable luminance for productive spaces. Diffuser lens reduces glare and improves occupant comfort while maintaining high efficiency emission.

Certification

UL Listed. All components have UL certification. UL Class 2. Driver: SCP, OTP, OVP protection, FCC Part 15 Class B, UL8750 Class 2. DLC Premium QPL.

Warranty

7-year Limited Warranty. See warranty documentation for more information.

Electrical

Luminaire utilizes high-efficacy LED packages maintained at cool temperatures for long life, high efficacy. Reliable driver features continuous dimming. Universal voltage (120-277V) for convenient installation. Comes equipped with luminaire quick-disconnect.

Installation / Mounting

Ideal for wall or ceiling surface mount. Mounts via keyholes or directly to J-Box.

Controls / Dimming

0-10V dimming comes standard. Comes equipped with High Frequency (microwave) multi-level occupancy DC sensor for a bi-level (high/low) system.

Field-Adjustable CCT

Increased versatility and reduced inventory burden. Color Temp. can be adjusted in the field by selecting (3) different CCTs via switch on driver box

STL Series
4' 25W / 34W / 40W

Rated Life 75,000 hours
Limited Warranty 7-years
Efficacy Up to 120 LPW
Continuous Dimming



Quick Ship
STL-4UXH/8CT XE G4-OSDL/HF (DC)

Ordering Information

Example: STL-4UXH/8CT XE G4-OSDL/HF (XX)

| | | | | | | |
|---|----------------------------|---|---------------------|--|---|---|
| STL | 4 | UXH | 8 | CT | [OSDL/HF] | (DC) |
| Series STL LED Stairwell Strip Luminaire | Form Factor 4 4' | Lumen Package UXH Factory Set | CRI 8 83+ | Color Temp* CT Field Adjust. 3500K 4000K 5000K <small>* Utilize 3-way switch to select</small> | Controls OSDL / HF High Frequency Multi-Level Occ. Sensor | Sensor Type (DC) Low Voltage (DC) 12-24V <small>** Wattage Factory Set</small> |

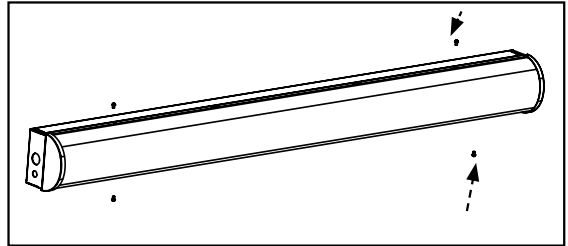
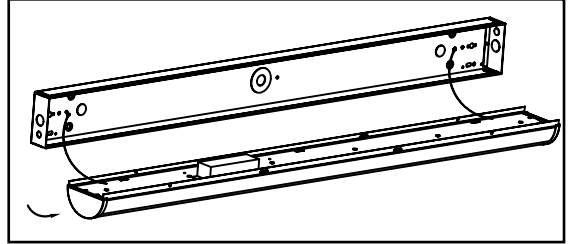
| | |
|--|--|
| Options | |
| Emergency Backup EM1800 1800lm EMLC/DR Emergency Lighting Control Dimming Relay | Designation BAA Buy American Act Compliant BABAA Build America, Buy America Act Compliant |

Specifications and Dimensions subject to change without notice.

Performance Summary

| | |
|--------------------------------|---|
| Input Voltage | 120V-277V |
| Input Frequency | 50/60 Hz |
| Rated Wattage | See Performance Table |
| Delivered Lumens | See Performance Table |
| Efficacy | > 120 LPW (typ.) |
| CRI | 80+ |
| Available CCT | 3500K, 4000K, 5000K |
| Color Consistency ² | 5-step MacAdam Ellipse |
| Rated Life | 75,000 hours |
| L70 ³ | 54,000 hours |
| Power Factor | > 0.9 |
| THD | < 20% |
| Dimming | 0-10V Continuous (10-100%) |
| Operating Temp. | -20°C to 50°C |
| Occupancy Sensor Type | High Frequency (Microwave), Multi-Level |

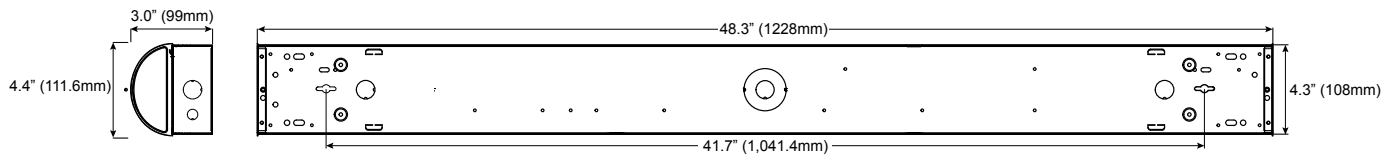
Mounting Information



Performance Data

| Form Factor | Catalog No. | Rated Wattage (W) | 3500K | | 4000K | | 5000K | |
|-------------|---------------------------------|-------------------|-----------------------|-----------------|-----------------------|-----------------|-----------------------|-----------------|
| | | | Delivered Lumens (lm) | Efficacy (lm/W) | Delivered Lumens (lm) | Efficacy (lm/W) | Delivered Lumens (lm) | Efficacy (lm/W) |
| 4' | STL-4UXH/8CT XE G4-OSDL/HF (DC) | 25 | 3475 | 139 | 3850 | 154 | 3575 | 143 |
| | | 34 | 4590 | 135 | 5100 | 150 | 4726 | 139 |
| | | 40 | 5280 | 132 | 5880 | 147 | 5440 | 136 |

Product Dimensions

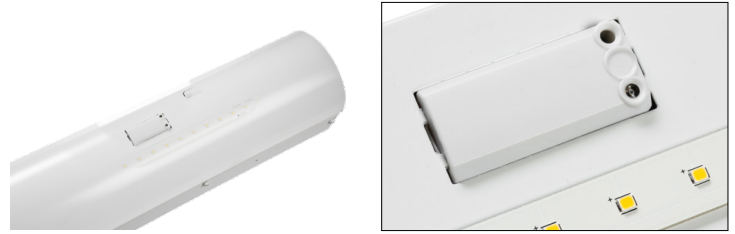


Specifications and Dimensions subject to change without notice.

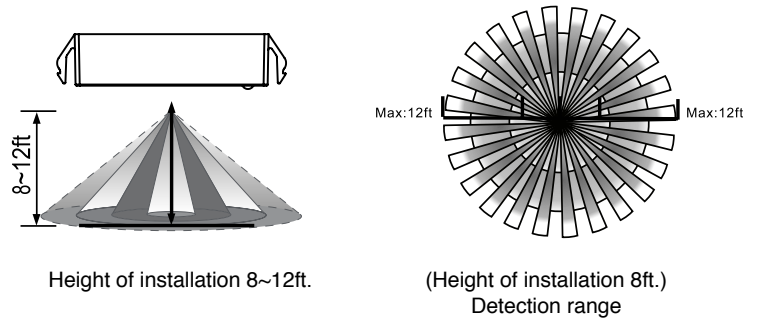
Sensor Information

Specifications

| | |
|-----------------------|--|
| Operating Voltage | 120-277Vac, 50/60Hz |
| Rated load | 400W @ 120Vac, 800W @ 220-277Vac(inductive) |
| HF system | 5.8GHz±75MHz, ISM wave band |
| Power Consumption | <0.5mW (standby) |
| Detection Zone | 19.7ft (@9.8ft mounting height) |
| Detection Sensitivity | 25%/50%/75%/100% |
| Hold Time | 5s/30s/90s/3min/20min/+∞ |
| Daylight Sensor | 5lux / 15lux / 30lux / 50lux / 100lux / 150lux / Disable |
| Stand-by Period | 0s/5s/5mins/10mins/30min/1h/+∞ |
| Stand-by Dimming | 10%/20%/30%/50% |
| Mounting Height | 20 ft Max. |
| Motion Detection | 1.6~9.8ft/s |
| Detection Angle | 150°(wall installation) 360°(ceiling installation) |
| Operating Temperature | -35°C - 70°C |




Detection Pattern



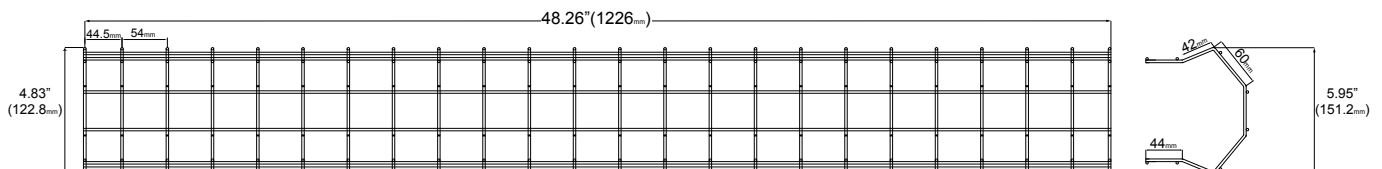
Accessory Options

Sensor Options

|  | Catalog No. | Description | Ordering | Shipping | Remote Control | Sensor Mounting |
|---|------------------------|---|---------------------------|---------------|----------------|---------------------------------|
| | SHF-OSDL/BT-PP3-DC-312 | AleoBlue, Wireless Bluetooth High Frequency Occ Sensor w/ Daylight Harvesting, 12V DC input, snap-in with quick connector | Order and Ship Separately | Field Install | AleoBlue App | Snap in Gear Tray / Behind Lens |

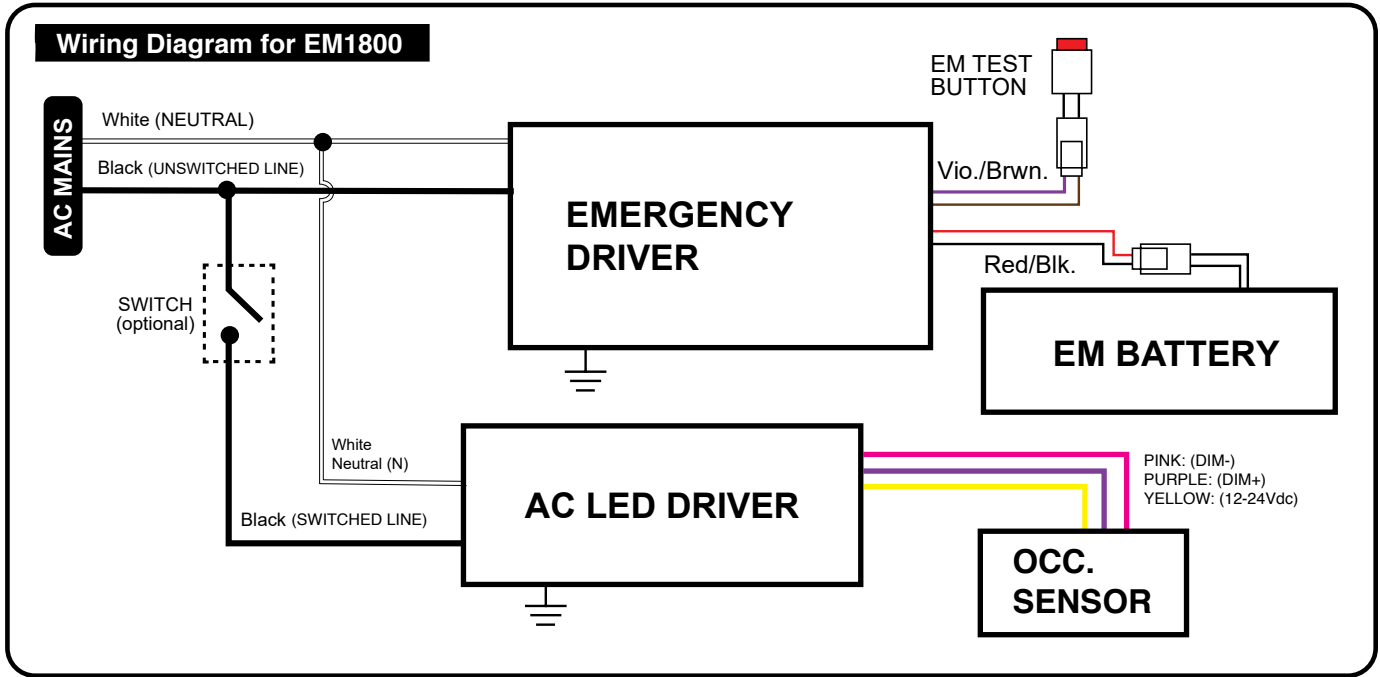
Wire Guard Option

| Catalog No. | Description | Ordering | Shipping |
|-------------|---------------------------------------|---------------------------|---------------|
| -STL-WG-4 | Wire Guard for Stairwell Strip STL 4' | Order and Ship Separately | Field Install |



Specifications and Dimensions subject to change without notice.

Emergency Backup EM1800



Sensor Settings

SENSOR PROGRAMMING INSTRUCTIONS:

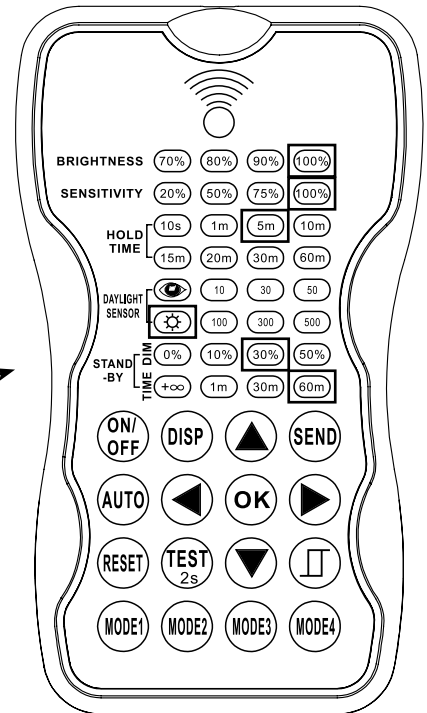
MODEL RC100 (SOLD SEPARATELY)

READ AND FOLLOW ALL SAFETY INSTRUCTIONS

| | |
|------------------------|---|
| Use with Sensor | SHF-OSDL/IR-PP3-DC-320 |
| Upload Range | Up to 50ft. (15m) |
| Operating Temp. | 32°F ~ 122°F (0°C ~ 50°C) |
| Power Supply | 2 x AAA 1.5V batteries, Alkaline preferred (Included) |
| Dimensions | 4.84" x 2.76" x 0.8" (123 x 70 x 20.3mm) |

LED INDICATORS

| LED | DEFAULT SETTING |
|-----------------|-----------------|
| BRIGHTNESS | 100% |
| SENSITIVITY | 100% |
| HOLD TIME | 5 min |
| DAYLIGHT SENSOR | Disabled |
| STAND-BY DIM | 30% |
| STAND-BY TIME | 60 min |



➔ For additional sensor programming information, please refer to product **Installation Guide**.



© 2025 Aleo Lighting, Inc. All rights reserved. For informational purposes only. Reproduction in whole or part is prohibited without prior written consent of the copyright owner. The information presented in this document does not form part of any quotation or contract, is believed to be accurate and reliable and may be changed without notice. No liability will be accepted by the publisher for any consequences of its use. Aleo Lighting reserves the rights make changes in specification at any time without notice

Specifications and Dimensions subject to change without notice.

Aleo Lighting, Inc.
www.aleolighting.com
10988 Bloomfield Ave.
Santa Fe Springs, CA 90670
Ph: 877-358-8825

