

TA, TU, 150W 12V AC/DC Series 12V AC/DC Electronic Transformers



Efficiency	>85%
Power Factor	>98%
Case TC	90°C Max.
Protection	Input / Output
Storage	-30°C / +90°C
Humidity	95% RH Max.
IP Rating	IP60
Dimming	ELV Dimmable
Class	Class 2



- No load technology, works with both halogen & LED AC loads
- Isolated output power per NEC and UL safety requirements
- UL recognized/listed power supply, meets UL 2108 requirements
- Auto-reset; Short circuit, Overload and thermal protection

FEATURES

- Soft start
- Dimmable with ELV type dimmers
- Low profile, small compact design to fit in most enclosures

MODEL SPECIFICATIONS

120V					
Model Number	Input Voltage	Input Current	Output Voltage	Weight	Load Type
TA150WA12	120V AC 50/60Hz	1.25A	12V AC	240g	Incandescent & Halogen Bulbs
TA150WD12		1.25A	12V DC	240g	Incandescent & Halogen Bulbs
TA150WA12LED		1.25A	12V AC	240g	AC LED Bulbs, Incandescent & Halogen Bulbs
TA150WD12LED		1.25A	12V DC	240g	LED Strips, LED Bulbs, Incandescent & Halogen Bulbs
TA150WD12LEDD010		1.25A	12V DC	240g	LED Strips, LED Bulbs, Incandescent & Halogen Bulbs

120V Remote

Model Number	Input Voltage	Input Current	Output Voltage	Weight	Load Type
TA150WA12RE	120V AC 50/60Hz	1.25A	12V AC	713g	Incandescent & Hologen Bulbs
TA150WA12REO		1.25A	12V AC	1037g	Incandescent & Hologen Bulbs
TA150WD12RE		1.25A	12V DC	713g	Incandescent & Hologen Bulbs
TA150WD12REO		1.25A	12V DC	1037g	Incandescent & Hologen Bulbs
TA150WA12LEDRE		1.25A	12V AC	713g	AC LED Bulbs, Incandescent & Hologen Bulbs
TA150WA12LEDREO		1.25A	12V AC	1037g	AC LED Bulbs, Incandescent & Hologen Bulbs
TA150WD12LEDRE		1.25A	12V DC	713g	LED Strips, LED Bulbs, Incandescent & Hologen Bulbs
TA150WD12LEDD010RE		1.25A	12V DC	713g	LED Strips, LED Bulbs, Incandescent & Hologen Bulbs
TA150WD12LEDREO		1.25A	12V DC	1037g	LED Strips, LED Bulbs, Incandescent & Hologen Bulbs
TA150WA12D010RE		1.25A	12V AC	713g	Incandescent & Hologen Bulbs

220-240V

Model Number	Input Voltage	Input Current	Output Voltage	Weight	Load Type
TU150WA12	220-240V AC 50/60Hz	0.68A	12V AC	240g	Incandecent & Halogen Bulbs
TU150WD12		0.68A	12V DC	240g	Incandecent & Halogen Bulbs
TU150WA12LED		0.68A	12V AC	240g	AC LED Bulbs, Incandescent & Hologen Bulbs
TU150WD12LED		0.68A	12V DC	240g	LED Strips, LED Bulbs, Incandescent & Halogen Bulbs

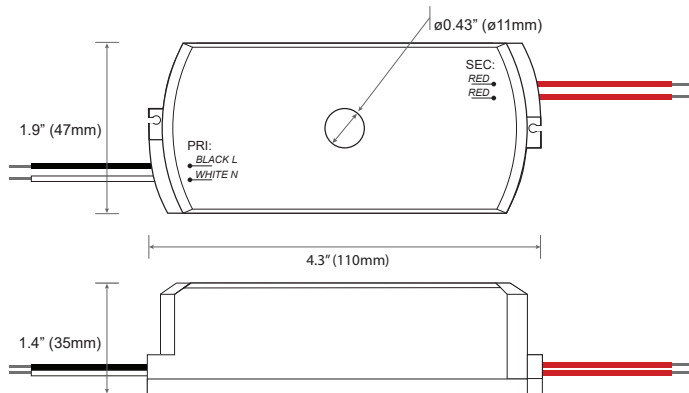
220-240V Remote

Model Number	Input Voltage	Input Current	Output Voltage	Weight	Load Type
TU150WA12RE	220-240V AC 50/60Hz	0.68A	12V AC	713g	AC LED Bulbs, Incandescent & Hologen Bulbs
TU150WA12REO		0.68A	12V AC	1037g	AC LED Bulbs, Incandescent & Hologen Bulbs
TU150WD12RE		0.68A	12V DC	713g	LED Strips, LED Bulbs, Incandecent & Halogen Bulbs
TU150WD12REO		0.68A	12V DC	1037g	LED Strips, LED Bulbs, Incandecent & Halogen Bulbs
TU150WA12LEDRE		0.68A	12V AC	713g	AC LED Bulbs, Incandescent & Hologen Bulbs
TU150WA12LEDREO		0.68A	12V AC	1037g	AC LED Bulbs, Incandescent & Hologen Bulbs
TU150WD12LEDRE		0.68A	12V DC	713g	LED Strips, LED Bulbs, Incandecent & Halogen Bulbs
TU150WD12LEDREO		0.68A	12V DC	1037g	LED Strips, LED Bulbs, Incandecent & Halogen Bulbs

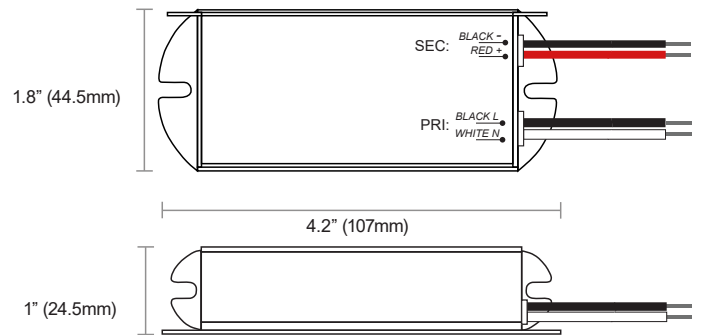
MECHANICAL SPECS (AC Model)

FORM FACTOR	DIMENSIONS
B2 (AC Only)	2.2" (56.5mm) x 1.3" (33mm) x 0.8" (21mm)
B7 (AC Only)	2.8" (70mm) x 1.6" (40mm) x 0.9" (22.5mm)
E5 (AC standard)	4.3" (110mm) x 1.9" (47mm) x 1.4" (35mm)
E6 (DC standard)	4.7" (120mm) x 2.2" (56mm) x 1.6" (40mm)
E (AC & DC special order)	4.2" (107mm) x 1.8" (44.5mm) x 1" (24.5mm)
BF (Custom)	3" (77mm) x 1.2" (31mm) x 0.8" (21mm)

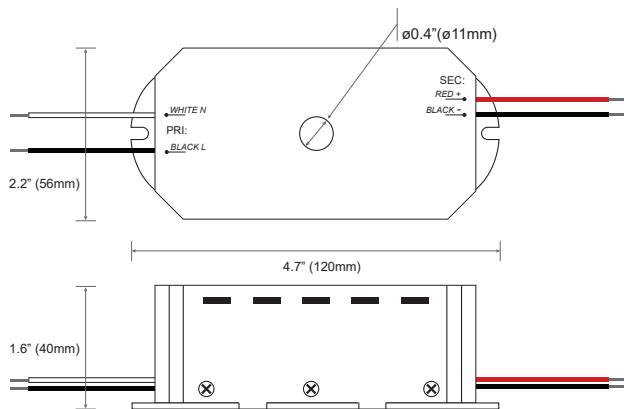
E5



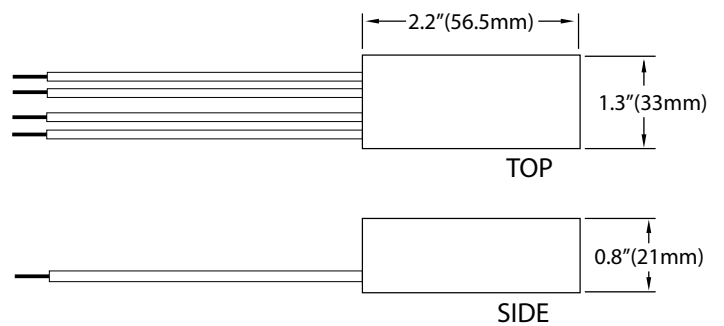
E



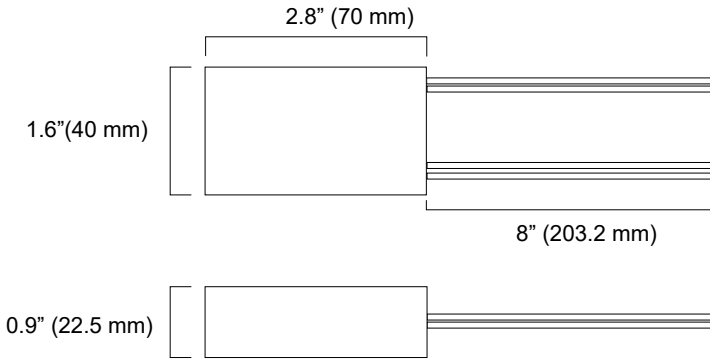
E6



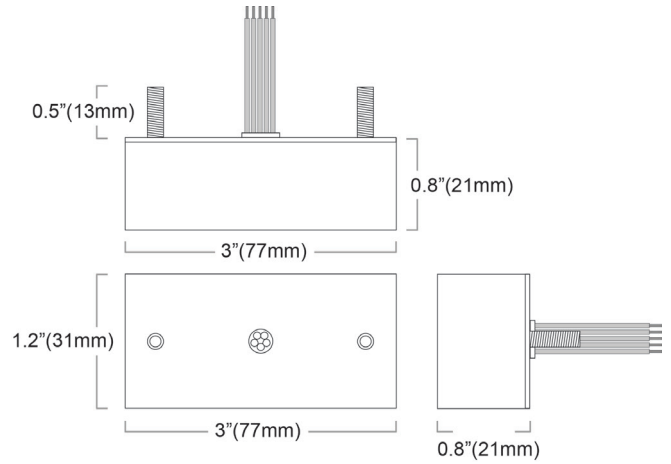
B2



B7



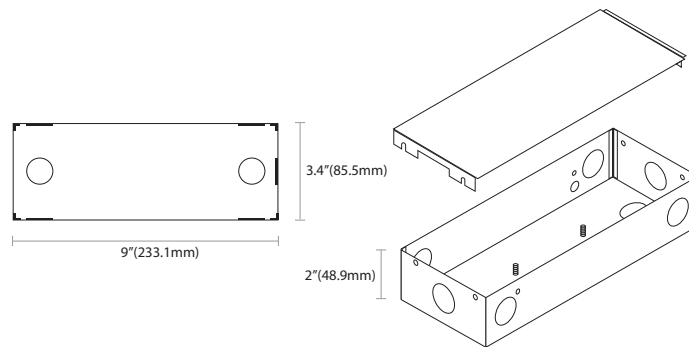
BF (Custom Only)



REMOTE ENCLOSURES

FORM FACTOR	DIMENSIONS
G2	9" (233mm) x 3.4" (85.5mm) x 2" (48.9mm)
G3	11" (280mm) x 4" (103mm) x 2.2" (56mm)

G2



G3

