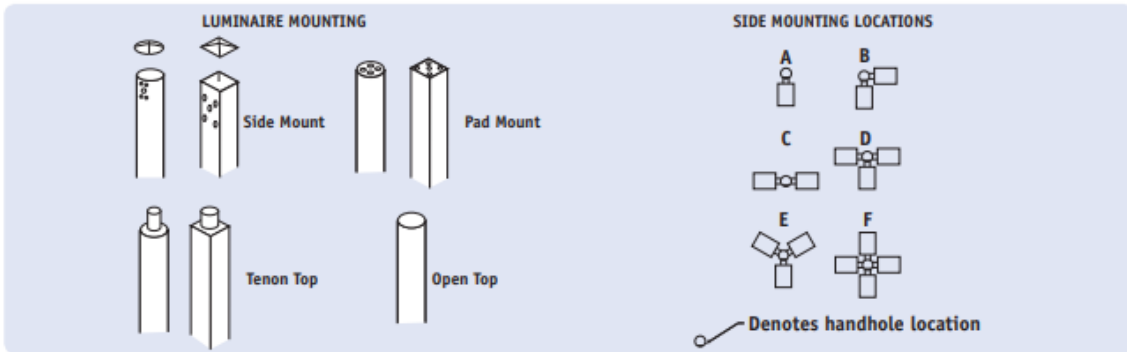
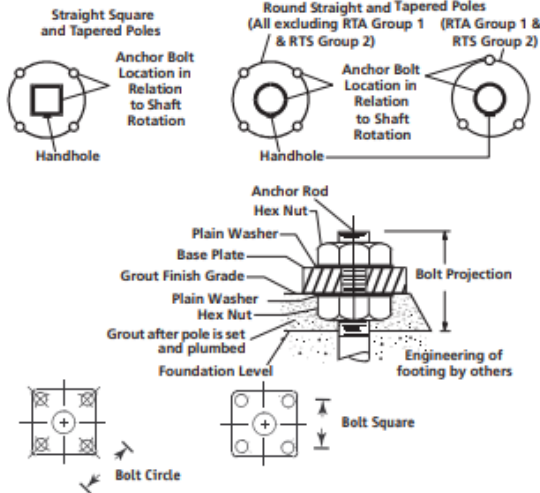


# TAB-36-M38



**ANCHOR BOLT DETAIL BASE DIAGRAM**



**OPTION ORIENTATION**

Follow the logic below when ordering location specific options.

For each option, include its orientation (in degrees) and its height (in feet). Example: Option Q26 should be ordered as:

SSS-20-40-1-A1-DB-Q26-0-15  
 (1/2" coupling on the hand hole/arm side of pole, 15 feet up from the pole base)



**POLE BASE COVERS**

Catalog Number	Description
<b>Pole Base Covers for Square Poles</b>	
SBC-4-XX <sup>1</sup>	10 1/2" Sq x 5" Deep (use on 4" sq poles)
SBC-4L-XX <sup>1</sup>	12 1/4" Sq x 5" Deep (use 4" sq poles)
SBC-5-XX <sup>1</sup>	12 1/4" Sq x 5" Deep (use on 5" sq poles)
SBC-6-XX <sup>1</sup>	12 1/4" Sq x 5" Deep (use on 6" sq poles)
<b>Pole Base Covers for Round Poles</b>	
SBC-3R-XX <sup>1</sup>	9" Sq x 5" Deep (use on 3" round poles)
SBC-4R-XX <sup>1</sup>	10 1/2" Sq x 5" Deep (use on 4" round poles)
SBC-45R-XX <sup>1</sup>	10 1/2" Sq x 5" Deep (use on 4 1/2" round poles)
SBC-5R-XX <sup>1</sup>	10 1/2" Sq x 5" Deep (use on 5" round poles)
SBC-6R-XX <sup>1</sup>	10 1/2" Sq x 5" Deep (use on 6" round poles)
RBC-4R-XX <sup>1</sup>	10.91" Dia. x 5" Deep (use on 4" round poles)
RBC-4RL-XX <sup>1</sup>	14.35" Dia. x 5" Deep (use on 4" round poles)
RBC-45R-XX <sup>1</sup>	10.91" Dia. x 5" Deep (use on 4 1/2" round poles)
RBC-45RL-XX <sup>1</sup>	14.35" Dia. x 5" Deep (use on 4 1/2" round poles)
RBC-5R-XX <sup>1</sup>	11.91" Dia. x 5" Deep (use on 5" round poles)
RBC-5RL-XX <sup>1</sup>	14.35" Dia. x 5" Deep (use on 5" round poles)
RBC-6R-XX <sup>1</sup>	11.91" Dia. x 5" Deep (use on 6" round poles)
RBC-6RL-XX <sup>1</sup>	14.35" Dia. x 5" Deep (use on 6" round poles)
RTS-2065-XX-Q45 <sup>1</sup>	13" Sq x 5" Deep (use on 6 1/2" round poles)
RTS-2570-XX-Q45 <sup>1</sup>	13" Sq x 5" Deep (use on 7" round poles)
RTS-3080-XX-Q45 <sup>1</sup>	13" Sq x 5" Deep (use on 8" round poles)
RTS-3585-XX-Q45 <sup>1</sup>	13" Sq x 5" Deep (use on 8 1/2" round poles)
RTS-3990-XX-Q45 <sup>1</sup>	13" Sq x 5" Deep (use on 9" round poles)

**STANDARD ANCHOR BOLTS (Included with pole purchase)**

TAB-15	1/2 x 15 x 3" (Non-galvanized) qty: 4
TAB-17-M38	3/4 x 17 x 3" (Galvanized) qty: 3
TAB-30-M38	3/4 x 30 x 3" (Galvanized) qty: 4
TAB-36-M38	1 x 36 x 4" (Galvanized) qty: 4
TAB-42-M38	1 1/4 x 42 x 6" (Galvanized) qty: 4

**REPLACEMENT NUT/WASHER KIT**

80033249902	3/4" TAB30 Set
80033259902	1" TAB36 Set
80036599903	1 1/4" TAB42 Set

Note Fabricated from high tensile steel, each anchor bolt has two nuts and two washers; Galvanized anchor bolts are hot dipped; (Galvanizing includes threaded portion plus six inches minimum); Anchor bolt template included with pole purchase

<sup>1</sup> Replace XX with color choice. ea.: DB for Dark Bronze