

TA, TE, 60W 12V AC, DC Series 12V AC/DC Electronic Transformers



Efficiency	>87%
Power Factor	>98%
Case TC	90°C Max.
Protection	Input / Output
Storage	-30°C / +90°C
Humidity	95% RH Max.
IP Rating	IP60
Dimming	ELV Dimmable
Class	Class 2



- No load technology, works with both halogen & LED AC loads
- Isolated output power per NEC and UL safety requirements
- UL recognized/listed power supply, meets UL 2108 requirements
- Auto-reset; Short circuit, Overload and thermal protection

FEATURES

- Soft start
- Dimmable with ELV type dimmers
- Low profile, small compact design to fit in most enclosures

MODEL SPECIFICATIONS

120V						
Model Number	Input Voltage	Input Current	Output Voltage	Weight	Case	Load Type
TA60WA12	120V AC 50/60Hz	0.5A	12V AC	80g	B2	Incandescent & Halogen Bulbs
TA60WA12LED		0.5A	12V AC	80g	B2	AC LED Bulbs, Incandescent & Halogen Bulbs
TA60WD12LED		0.5A	12V DC	80g	E	LED Strips, LED Bulbs, Incandescent & Halogen Bulbs
TA60WA12DL		0.5A	12V AC	80g	B2	Incandescent & Halogen Bulbs
TA60WA12LEDDL		0.5A	12V AC	170g	B2	AC LED Bulbs, Incandescent & Halogen Bulbs
TA60WD12LEDDL		0.5A	12V DC	170g	E	LED Strips, LED Bulbs, Incandescent & Halogen Bulbs
TA60WA12LEDD10		0.5A	12V AC	170g	B7	AC LED Bulbs, Incandescent & Halogen Bulbs
TA60WD12LEDD10		0.5A	12V DC	170g	E	LED Strips, LED Bulbs, Incandescent & Halogen Bulbs

120V Remote						
Model Number	Input Voltage	Input Current	Output Voltage	Weight	Case	Load Type
TA60WA12LEDRE	120V AC 50/60Hz	0.5A	12V AC	402g	G1	AC LED Bulbs, Incandescent & Hologen Bulbs
TA60WA12LEDREO		0.5A	12V AC	542g	G4	AC LED Bulbs, Incandescent & Hologen Bulbs

220-240V						
Model Number	Input Voltage	Input Current	Output Voltage	Weight	Case	Load Type
TU60WA12	220-240V AC 50/60Hz	0.27A	12V AC	80g	B2	Incandecent & Halogen Bulbs
TU60WA12LED		0.27A	12V AC	80g	B2	AC LED Bulbs, Incandescent & Halogen Bulbs
TU60WA12LED65B15		0.27A	12V AC	137g	B7	LED Strips, LED Bulbs, Incandecent & Halogen Bulbs
TU60WD12LED		0.27A	12V DC	170g	E	LED Strips, LED Bulbs, Incandecent & Halogen Bulbs
TU60WA12DL		0.27A	12V AC	80g	B2	Incandecent & Halogen Bulbs
TU60WA12LEDDL		0.27A	12V AC	80g	B2	AC LED Bulbs, Incandescent & Halogen Bulbs
TU60WD12LEDDL		0.27A	12V DC	170g	E	LED Strips, LED Bulbs, Incandecent & Halogen Bulbs
TU60WA12LEDD010		0.27A	12V AC	80g	B7	AC LED Bulbs, Incandescent & Halogen Bulbs
TU60WD12LEDD010		0.27A	12V DC	170g	E	LED Strips, LED Bulbs, Incandecent & Halogen Bulbs

220-240V Remote						
Model Number	Input Voltage	Input Current	Output Voltage	Weight	Case	Load Type
TU60WA12LEDRE	220-240V AC 50/60Hz	0.27A	12V AC	402g	G1	AC LED Bulbs, Incandescent & Hologen Bulbs
TU60WA12LEDREO		0.27A	12V AC	542g	G4	AC LED Bulbs, Incandescent & Hologen Bulbs
TU60WD12LEDRE		0.27A	12V DC	492g	G1	LED Strips, LED Bulbs, Incandecent & Halogen Bulbs
TU60WD12LEDREO		0.27A	12V DC	632g	G4	LED Strips, LED Bulbs, Incandecent & Halogen Bulbs
TU60WA12LEDD010RE		0.27A	12V AC	402g	G1	AC LED Bulbs, Incandescent & Hologen Bulbs
TU60WA12LEDD10REO		0.27A	12V AC	542g	G4	AC LED Bulbs, Incandescent & Hologen Bulbs
TU60WD12LEDD010RE		0.27A	12V DC	492g	G1	LED Strips, LED Bulbs, Incandecent & Halogen Bulbs
TU60WD12LEDD010REO		0.27A	12V DC	632g	G4	LED Strips, LED Bulbs, Incandecent & Halogen Bulbs

120V						
Model Number	Input Voltage	Input Current	Output Voltage	Weight	Case	Load Type
TA60WA12LED65B15	120V AC 50/60Hz	0.5A	12V AC	137.5g	B7	AC LED Bulbs, Incandescent & Halogen Bulbs
TA60WD12LEDB15		0.5A	12V DC	137.5g	E	LED Strips, LED Bulbs, Incandescent & Halogen Bulbs
TA60WA12LED65B15D010		0.5A	12V AC	137.5g	B7	AC LED Bulbs, Incandescent & Halogen Bulbs
TA60WD12LEDB15D010		0.5A	12V DC	137.5g	E	LED Strips, LED Bulbs, Incandescent & Halogen Bulbs

120V Remote						
Model Number	Input Voltage	Input Current	Output Voltage	Weight	Case	Load Type
TA60WA12LED65B15RE	120V AC 50/60Hz	0.5A	12V AC	459g	G1	AC LED Bulbs, Incandescent & Halogen Bulbs
TA60WA12LED65B15REO		0.5A	12V AC	600g	G4	AC LED Bulbs, Incandescent & Halogen Bulbs
TA60WD12LEDB15RE		0.5A	12V DC	459g	G1	LED Strips, LED Bulbs, Incandescent & Halogen Bulbs
TA60WD12LEDB15REO		0.5A	12V DC	600g	G4	LED Strips, LED Bulbs, Incandescent & Halogen Bulbs
TA60WA12LED65B15D010RE		0.5A	12V AC	459g	G1	AC LED Bulbs, Incandescent & Halogen Bulbs
TA60WA12LED65B15D010REO		0.5A	12V AC	600g	G4	AC LED Bulbs, Incandescent & Halogen Bulbs
TA60WD12LEDB15D010RE		0.5A	12V DC	459g	G1	LED Strips, LED Bulbs, Incandescent & Halogen Bulbs
TA60WD12LEDB15D010REO		0.5A	12V DC	600g	G4	LED Strips, LED Bulbs, Incandescent & Halogen Bulbs

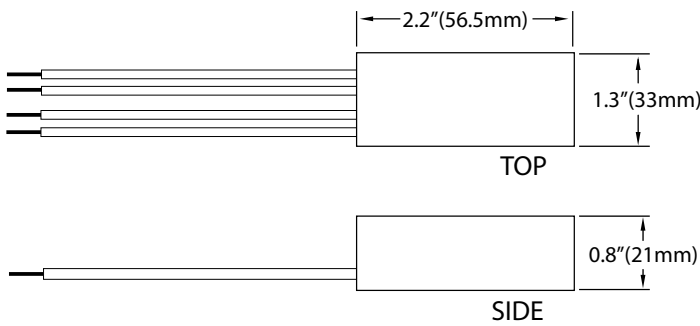
277V						
Model Number	Input Voltage	Input Current	Output Voltage	Weight	Case	Load Type
TE60WA12LED65B15	277V AC 50/60Hz	0.2A	12V AC	137.5g	B7	AC LED Bulbs, Incandescent & Halogen Bulbs
TE60WD12LEDB15		0.2A	12V DC	137.5g	E	LED Strips, LED Bulbs, Incandescent & Halogen Bulbs
TE60WA12LED65B15D010		0.2A	12V AC	137.5g	B7	AC LED Bulbs, Incandescent & Halogen Bulbs
TE60WD12LEDB15D010		0.2A	12V DC	137.5g	E	LED Strips, LED Bulbs, Incandescent & Halogen Bulbs

277V Remote						
Model Number	Input Voltage	Input Current	Output Voltage	Weight	Case	Load Type
TE60WA12LED65B15RE	277V AC 50/60Hz	0.2A	12V AC	459g	G1	AC LED Bulbs, Incandescent & Halogen Bulbs
TE60WA12LED65B15REO		0.2A	12V AC	600g	G4	AC LED Bulbs, Incandescent & Halogen Bulbs
TE60WD12LEDB15RE		0.2A	12V DC	459g	G1	LED Strips, LED Bulbs, Incandescent & Halogen Bulbs
TE60WD12LEDB15REO		0.2A	12V DC	600g	G4	LED Strips, LED Bulbs, Incandescent & Halogen Bulbs
TE60WA12LED65B15D010RE		0.2A	12V AC	459g	G1	AC LED Bulbs, Incandescent & Halogen Bulbs
TE60WA12LED65B15D010REO		0.2A	12V AC	600g	G4	AC LED Bulbs, Incandescent & Halogen Bulbs
TE60WD12LEDB15D010RE		0.2A	12V DC	459g	G1	LED Strips, LED Bulbs, Incandescent & Halogen Bulbs
TE60WD12LEDB15D010REO		0.2A	12V DC	600g	G4	LED Strips, LED Bulbs, Incandescent & Halogen Bulbs

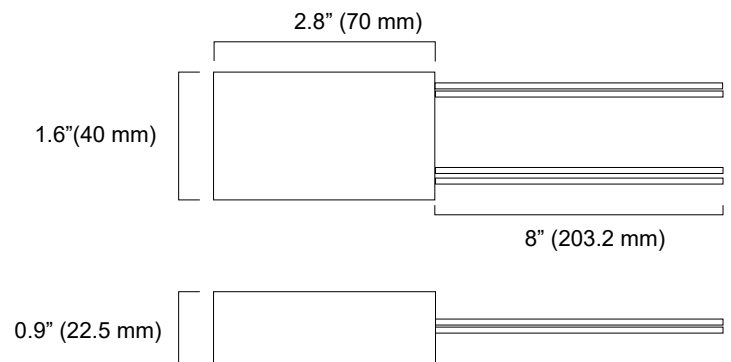
MECHANICAL SPECS

FORM FACTOR	DIMENSIONS
B2 (AC Only)	2.2"(56.5mm) x 1.3"(33mm) x 0.8"(21mm)
B7 (AC Only)	1.8" (70mm) x 1.6" (40mm) x 0.9" (22.5mm)
E (DC Only)	4.2"(107mm) x 1.8"(44.5mm) x 1"(24.5mm)
BF (Custom Only)	3"(77mm) x 1.2"(31mm) x 0.8"(21mm)
G1 (Indoor Model)	8.1"(207mm) x 1.7"(43mm) x 2"(51mm)
G4 (Outdoor Model)	9.4"(238mm) x 2.6"(66mm) x 1.9"(48mm)

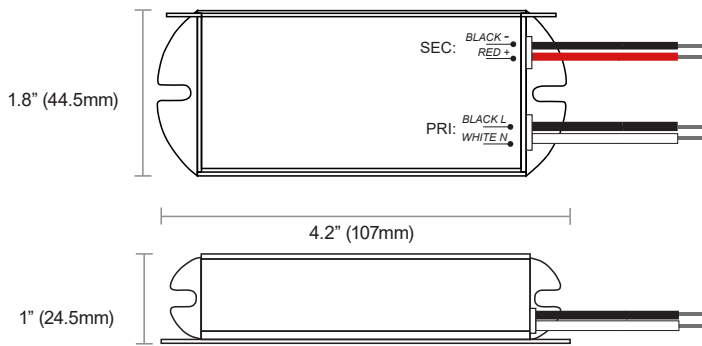
B2 (AC Only)



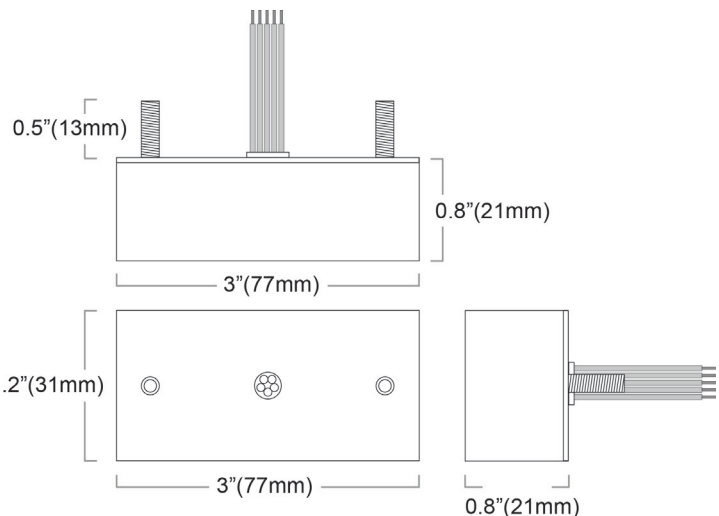
B7 (AC Only)



E (DC Only)

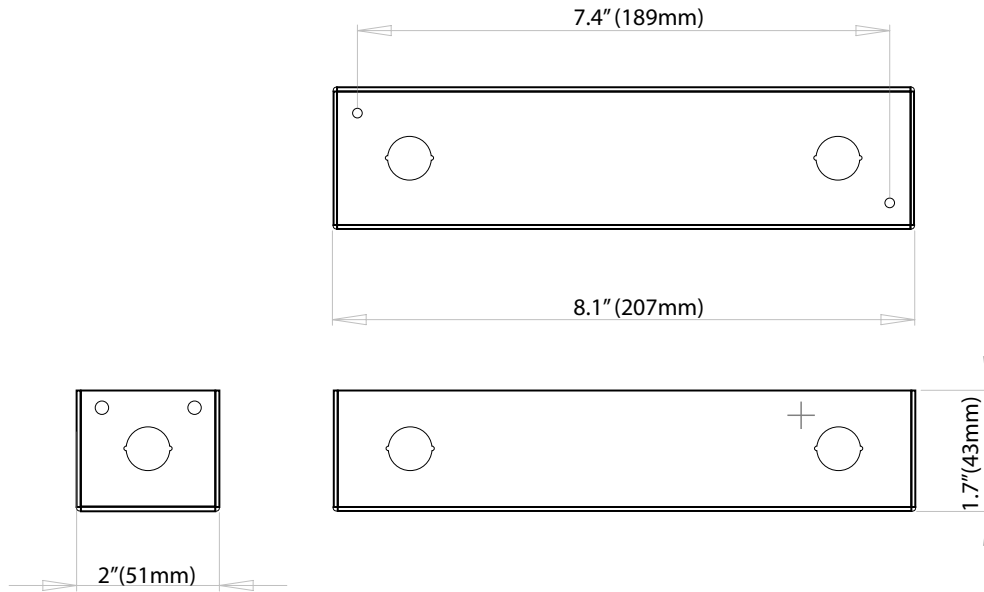


BF (Custom Only)



REMOTE ENCLOSURES

G1 (Indoor Model)



G4 (Outdoor Model)

