



# TRAC 12

## Miniature Low Voltage Trac System LINEAR LAMPHOLDERS

### TL201



Buy American

Project: \_\_\_\_\_

Fixture Type: \_\_\_\_\_

Location: \_\_\_\_\_

Contact/Phone: \_\_\_\_\_

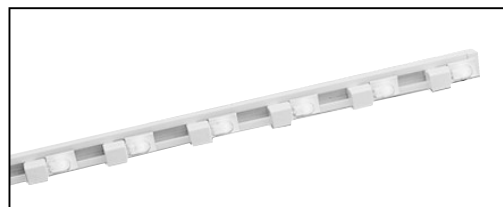
### PRODUCT DESCRIPTION

A miniature low voltage linear lighting system for undercabinet and cove applications.

**Labels** UL listed, CSA certified • Union made • Assembled in U.S.A.

**Buy American** This product is assembled in the USA and meets the Buy America(n) government procurement requirements under FAR, DFARS and DOT. Please refer to [www.acuitybrands.com/buy-american](http://www.acuitybrands.com/buy-american) for additional information.

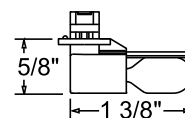
Specifications subject to change without notice.



### Low Voltage T3-1/4 Single Lampholder

Wedge base lampholders are an economical choice for linear lighting applications.

They have a minimal profile and produce bright, uniform illumination. They have stationary aluminum reflectors to forward project more of the 360° light from the lamp. They are compatible with wedge base lamps that are 10W or less and T3-1/4 size or smaller including xenon, LED, etc. Xenon lamps emit a white light that approximates the color of halogen, but have up to a 20,000-hour lamp life and do not require fixture lenses or special handling.



Catalog Number	Finish	Lamp
TL201 WH	White	One T3 1/4, 10W max. wedge base lamp, 12V or 24V
TL201 BL	Black	One T3 1/4, 10W max. wedge base lamp, 12V or 24V

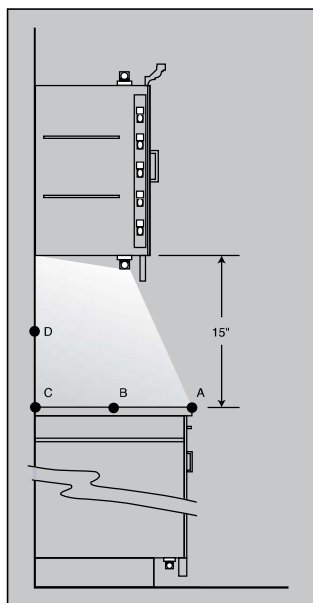
# TRAC 12

## Miniature Low Voltage Trac System LINEAR LAMPHOLDERS

### TL201

#### Cabinetry Lighting Guidelines

**Over Cabinets** The Trac 12® system, using 10-watt lamps spaced 6” on center, generally provides excellent indirect lighting. For lower-level mood lighting, use 3-watt or 5-watt lamps with slightly closer spacing. Placing the fixture at the front edge of the cabinet top will project light into the space and illuminate any displayed objects. Locate top of lamp even with top edge of cove molding to prevent a harsh shadow line.



**Inside Cabinets** Running the Trac 12 system vertical on the front inside of cabinets avoids the need to put trac on each shelf. 3-watt Xenon lamps 3” on center will generally provide adequate lighting inside a cabinet.

**Under Cabinets** Placing the Juno Trac 12 system at the front lip of the cabinet conceals the fixture from view, minimizes veiling reflections, and provides maximum light on the working area of the countertop.

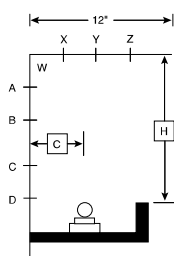
#### Footcandles on Horizontal Work Surface

Lamp Type	Catalog Number	Number of Lamps	Volts/Watts	On-Center Spacing	Footcandles			
					A	B	C	D
Xenon Wedge Base	TL201	1	12V/5W	3"	10	31	20	22
		1	12V/10W	6"	12	36	23	25

**Kick Spaces** 3-watt Xenon lamps spaced on 4” centers provide adequate kick space lighting. Wider spacings can be used when the distance from trac to floor is greater than 4” or when even illumination is not required.

NOTE: Shiny flooring may cause lamp image reflections.

#### Cove Lighting



**Placement Guidelines**  
1. For uniform illumination o.c. lamp spacing must be equal to or less than lamp spacing from wall “C”

#### Footcandles on Horizontal and Vertical Planes

(Test conducted with 70% reflectances at 23.5 volts)

Lamp Type	Lamp Spacing from Wall [C]	O.C. Lamp Spacing	Cove Height [H]	Footcandles on Vert. Plane (Wall)				Footcandles on Horiz. Plane (Ceiling)			
				A	B	C	D	W	X	Y	Z
24V, 10W Rigid Loop or Wedge Base Xenon Lamp	3"	3"	6"	111	155	162	31	176	164	93	44
	3"	3"	9"	62	89	155	21	118	121	93	54
	3"	3"	12"	42	56	120	15	83	87	78	56
	4"	4"	6"	88	111	105	23	124	123	85	38
	4"	4"	9"	53	74	99	16	88	89	76	46
	4"	4"	12"	36	49	96	11	63	66	61	46
	5"	5"	6"	68	71	67	19	85	96	81	35
	5"	5"	9"	44	57	61	13	66	69	63	43
	5"	5"	12"	31	42	58	8	48	51	48	40

**Conversion factors for other lamps**

LAMP	MULTIPLIER
12V, 10W Festoon	1.33
12V, 10W Rigid Loop	1.11
12V, 10W Wedge Base	0.92
24V, 5W Rigid Loop	0.44
24V, 5W Wedge Base	0.32
12V, 5W Rigid Loop	0.50
12V, 5W Wedge Base	0.37

NOTE: Frosted lamps typically provide slightly less lumen output, but more uniformity with wider spacings.

#### Maximum Run Length per 20 Amp Circuit

Lamp Type	Lamp Spacing	Lamp Spacing				
		2"	3"	4"	5"	6"
10 Watt Xenon Lamps	Lumens/Foot (24V Lamp)	-	340	255	204	170
	Maximum Run Length-24V	-	12'	16'	20'	24'
	Maximum Run Length-12V	-	6'	8'	10'	12'
5 Watt Xenon Lamps	Lumens/Foot (24V Lamp)	162	108	81	65	54
	Maximum Run Length-24V	16'	24'	32'	40'	48'
	Maximum Run Length-12V	8'	12'	16'	20'	24'
3 Watt Xenon Lamps	Lumens/Foot	93	62	42	37	31
	Maximum Run Length-12V	13'	20'	27'	33'	40'

#### Maximum Run Length per 25 Amp Circuit

Lamp Type	Lamp Spacing	Lamp Spacing				
		2"	3"	4"	5"	6"
10 Watt Xenon Lamps	Lumens/Foot (24V Lamp)	-	340	255	204	170
	Maximum Run Length-24V	10'	15'	20'	25'	30'
	Maximum Run Length-12V	5'	7.5'	10'	12.5'	15'
5 Watt Xenon Lamps	Lumens/Foot (24V Lamp)	162	108	81	65	54
	Maximum Run Length-24V	20'	30'	40'	50'	60'
	Maximum Run Length-12V	10'	15'	20'	25'	30'
3 Watt Xenon Lamps	Lumens/Foot	93	62	42	37	31
	Maximum Run Length-12V	17'	25'	34'	42'	50'