

# TPHE G2 - Recessed Panel - Selectable - High Efficacy



**CONTRACTOR XP**



(Images are shown for illustration purposes only)

Project:

Product #:

Type:

## KEY FEATURES

- Field selectable Power - 4 levels.
- Field selectable CCT - 5 settings.
- 5 year warranty.
- 140 LPW.
- Flicker free.



## SPECIFICATIONS

### Housing

Sheet metal stamping, polystyrene lens.

### Ambient Temperature

Suitable for use in -20° C to 50° C (-4° F to 122° F).

### Finish

Long lasting white with high durability.

### Mounting

Recessed mount (default), surface mount.

### Efficacy

Up to 140 lumens per watt.

### CCT and CRI

2700K / 3000K / 3500K / 4000K / 5000K - 80 CRI

### Lifespan

L70 > 100,000 hours @ 25°C.

### Warranty

5-year limited warranty. Comprehensive terms can be located on [www.slgus.com](http://www.slgus.com).

### Electrical

Standard voltage 120-277V.  
0-10V Dimming standard.  
1% dim and step dimming options available.

### Certifications

UL Listed for damp locations. IC Rated.  
Design Lights Consortium® (DLC) 6.0  
Premium qualified product pending.

## ORDERING GUIDE

Example: TPHE 22 LS45 G2 FSK + OPTIONS + ACCESSORIES

Fixture Type	Size	Selectable Lumen Output	Generation	Voltage	CCT	Finish
• TPHE LED Recessed Panel - Selectable - High Efficacy	• 14 1'x4'	• LS45 2,250 Lm / 16W 3,750 Lm / 26 W	• G2 Second Generation	• BLANK 120-277V	• FSK 2700K 3000K 3500K 4000K 5000K - CRI 80	• BLANK White
	• 22 2'x2'	2,700 Lm / 19 W 4,500 Lm / 32 W				
	• 24 2'x4'	• LS52 2,650 Lm / 19W 4,200 Lm / 30 W • LS100 5,900 Lm / 42 W 7,650 Lm / 54 W				

For stocking opportunities please reach out to your local SLG Lighting rep or contact [sales@slgus.com](mailto:sales@slgus.com).

Leadtimes may vary based on current inventory levels - always consult your local SLG Lighting rep for leadtimes and project needs.

## OPTIONS

Dimming
• BLANK 0-10V

## ACCESSORIES

Emergency Backup	Mounting	Cord Set
<ul style="list-style-type: none"> <li>• EMA-PA08D-UNV-170 Emergency Battery Backup, 8W (100-277V AC).</li> <li>• EMD-PA08D-UNV-055 Emergency Battery Backup, 8W (100-347V AC).</li> </ul>	<ul style="list-style-type: none"> <li>• 2x2SMK-4IN Surface Mount Kit for TPHE 22 - 4" height</li> <li>• 2x4SMK-4IN Surface Mount Kit for TPHE 24 - 4" height</li> <li>• 1x4SMK-4IN Surface Mount Kit for TPHE 14 - 4" height</li> <li>• 2x2 FLANGE-1.5IN Flange kit for TPHE 22</li> <li>• 2x4 FLANGE-1.5IN Flange kit for TPHE 24</li> <li>• 1x4 FLANGE-1.5IN Flange kit for TPHE 14</li> <li>• TP-SCABLE Suspended Cable for Panel, 1 set per luminaire, 7ft max.</li> </ul>	<ul style="list-style-type: none"> <li>• CS3F5 18/2 MC Whip with LV Dimming Wires &amp; 3/8" Connector</li> <li>• CS3F6 18/2 MC Whip with LV Dimming Wires &amp; 3/8" Connector</li> </ul>

Accessories shown are generally stocked items, for additional accessories questions and options please contact your local SLG Lighting rep or email [sales@slgus.com](mailto:sales@slgus.com). Options for spec needs available through special request - please contact [sales@slgus.com](mailto:sales@slgus.com) with spec needs and project size.

Due to continuous product improvements, specification and/or equipment updates may change without notice.

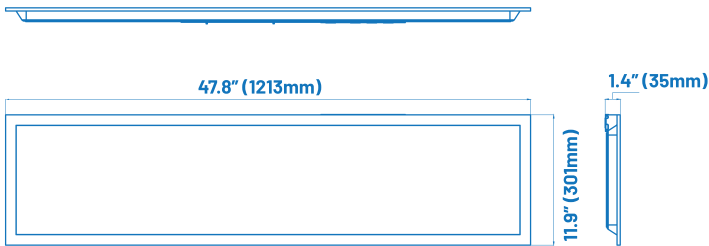
## PERFORMANCE INFORMATION

Series Number	Power Setting	Wattage	Lumens	CCT
TPHE 14 LS45	Max	32 W	4,500 Lm	2700K 3000K 3500K 4000K 5000K
	High	26 W	3,750 Lm	
	Medium	19 W	2,700 Lm	
	Low	16 W	2,250 Lm	
TPHE 22 LS45	Max	32 W	4,500 Lm	
	High	26 W	3,750 Lm	
	Medium	19 W	2,700 Lm	
	Low	16 W	2,250 Lm	
TPHE 24 LS52	Max	38 W	5,200 Lm	
	High	30 W	4,200 Lm	
	Medium	22 W	3,100 Lm	
	Low	19 W	2,650 Lm	
TPHE 24 LS100	Max	71 W	10,000 Lm	
	High	54 W	7,650 Lm	
	Medium	48 W	6,750 Lm	
	Low	42 W	5,900 Lm	

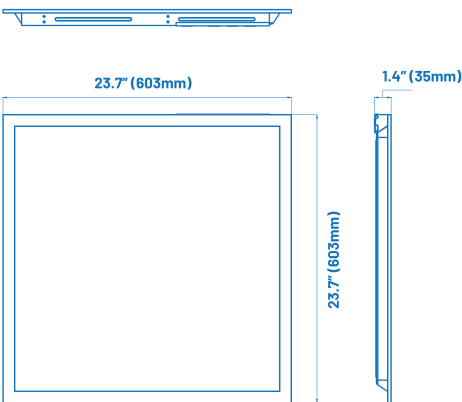
Performance data based on vigorous, industry standard testing and has been verified by lab results.

## DIMENSIONS

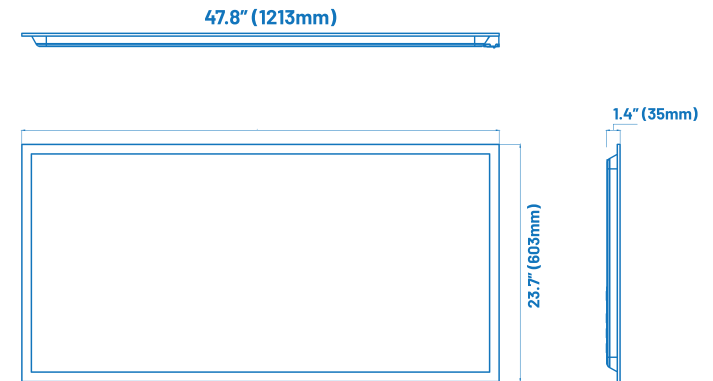
### TPHE 14 LS45 - 1 FT BY 4 FT



### TPHE 22 LS45 - 2 FT BY 2 FT



### TPHE 24 LS52/LS100 - 2 FT BY 4 FT



Due to continuous product improvements, specification and/or equipment updates may change without notice.

## ELECTRICAL LOAD

Series Number	Power	Wattage	120V	208V	240V	277V
TPHE 14 LS45	Max	32 W	0.27	0.15	0.13	0.12
	High	26 W	0.22	0.13	0.11	0.09
	Medium	19 W	0.16	0.09	0.08	0.07
	Low	16 W	0.13	0.08	0.06	0.06
TPHE 22 LS45	Max	32 W	0.27	0.15	0.13	0.12
	High	26 W	0.22	0.13	0.11	0.09
	Medium	19 W	0.16	0.09	0.08	0.07
	Low	16 W	0.13	0.08	0.06	0.06
TPHE 24 LS52	Max	38 W	0.32	0.18	0.16	0.14
	High	30 W	0.25	0.14	0.13	0.11
	Medium	22 W	0.18	0.11	0.09	0.08
	Low	19 W	0.16	0.09	0.08	0.07
TPHE 24 LS100	Max	71 W	0.59	0.34	0.30	0.26
	High	54 W	0.45	0.26	0.23	0.19
	Medium	48 W	0.40	0.23	0.20	0.17
	Low	42 W	0.35	0.20	0.18	0.15

## SHIPPING INFORMATION

Product number	Individual box size	Master Carton Size	Master Carton QTY	Pallet QTY
TPHE 14 LS45	48.58" X 12.17" X 1.69"	48.78" X 12.87" X 7.76"	4 pcs	100 pcs
TPHE 22 LS45	23.94" X 23.94" X 1.69"	24.69" x 24.69" x 7.76"	4 pcs	120 pcs
TPHE 24 LS52	47.95" X 23.94" X 1.69"	48.78" x 24.69" x 7.76"	4 pcs	60 pcs
TPHE 24 LS100	47.95" X 23.94" X 1.69"	48.78" x 24.69" x 7.76"	4 pcs	60 pcs

Fixtures ship 1 per box and specific dimensions may change without notice due to improvements.

Due to continuous product improvements, specification and/or equipment updates may change without notice.