

TR3 LED Transit Colorlight Signal Modules

5.5 inch (140mm) - 10V AC / DC

GE's 14th generation of LED signal,
leveraging 15 years of experience
& over 6,000,000 units sold worldwide



Outstanding Safety & Reliability

- Self-contained design provides protection against moisture and dust
- Backed by a 48 month limited warranty

Excellent Appearance & Visibility

- Robust LED system design enables high luminous intensity over long product life
- Efficient optical system delivers uniform color
- Sloped front shell reduces reflections
- Optional frosted shell available for tunnel applications

Meets Rigorous Certification & Testing Standards

- Meets key AREMA standards
- All lamps undergo comprehensive testing in the manufacturing plant

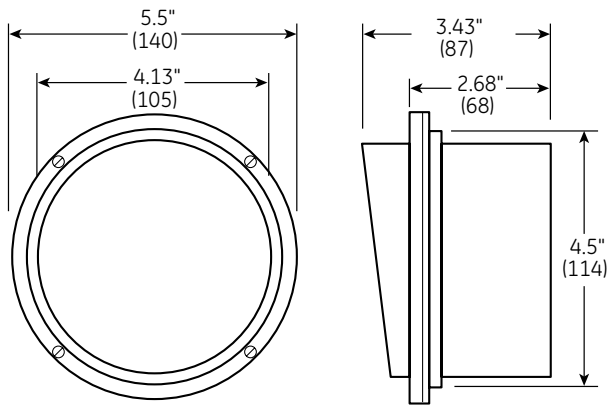


TR3 LED Transit Colorlight Signal Modules

- 5.5 inch (140 mm)

Mechanical Outline

Dimensions in inches. (mm) indicates metric equivalent



Design Compliance

Characteristic	Compliance
Mechanical Vibration & Shock	AREMA 11.5.1.D.4/D.5. Class B
Water/Dust Ingress Protection (in typical Rail Housing)	(EN 60529 IP65)
Electrical Surge Protection	EN61000-4-5, Class 3, AREMA 11.3.3
Electromagnetic Compatibility (EMC)	EN55011 FCC Part 15, Subpart B

Operating Specifications

Parameter	Rating
Operating Temperature	-40 to +70°C (-40 to +158°F)
Operating Voltage	8 to 16 V AC / 8.2 to 20 V DC
Voltage Turn-Off (VTO)	5.3 V AC / 7.3 V DC
Power Surge	45 Vrms for 80 ms

Product Information

Model Number*	Dominant Wavelength ¹ (nm)	Nominal Power (W)	Peak Intensity ¹ (cd)	Field Angles (10% of peak Intensity)
Short Range and Tunnel Applications				
● TR3-RSFB301B	627	4	65	43°
● TR3-YCFB301B	592	4	45	43°
● TR3-GCFB301B	500	4	65	47°
○ TR3-WCFB301B	-	4	100	34°
Mid-Range and Outdoor Applications				
● TR3-RCFB501B	625	7	240	47°
● TR3-YCFB501B	594	5	320	30°
● TR3-GCFB501B	500	6	240	47°
○ TR3-WCFB501B	-	6	300	43°

*Must indicate voltage using suffix: A (120) or B (10V).

Options:

-96: Light-out detection device for 10 V DC microprocessor-based control systems.

Available on 501B models only.

Information provided is subject to change without notice. All values are design or typical values when measured under laboratory conditions.

¹ This is a minimum initial value at T = 25°C.

Distributed by:



GE Lighting • 1-888-MY-GE-LED • www.gelighting.com

1 - 8 8 8 - 6 9 - 4 3 - 5 3 3 for North America · or · + 1 . 2 1 6 . 2 6 6 . 2 4 1 9

Information provided is subject to change without notice. All values are design or typical values when measured under laboratory conditions. The GE brand and logo are trademarks of the General Electric Company. © 2015 GE.

RAIL294-R091415