

Project Name:

Part Number:

# UFO PARKING GARAGE - 75WLED

## OUTDOOR



407-478-3759  
www.ilp-inc.com

### FEATURES

- Die-cast aluminum round parking garage fixture
- Frosted polycarbonate lens (Std)
- 4000K & 5000K available
- Quick mount bracket standard for easy surface mount installation
- ½" Coin plug on top for center pendant mount or JBOX with included cord lock
- Four ½" coin plugs on sides for conduit or photocell
- Sensor Ready: Motion, Daylight Harvesting, Grouping, Zones & IoT
- Bronze or White housing color options
- 5 Year Warranty
- IP66
- 0-10V Dimming Driver (Std)
- DesignLights Consortium® Premium Qualified Luminaire



### SUITABLE APPLICATIONS

- Parking Garages
- Canopy Walkways

LED SYSTEMS INFORMATION	4000K	5000K
Calculated L <sub>70</sub> (TM-21)	>100K	>100K
Delivered Lumens	9,266 lm	9,275 lm
Total Input Watts	77 W	76 W
Luminaire Efficacy Rating (LER)	121 lm/W	123 lm/W
Correlated Color Temperature (CCT)	4000K	5000K
Color Rendering Index (CRI)	>80	>80
Maximum Ambient Temperature	120°F	120°F
Minimum Ambient Temperature	-40°F	-40°F
Universal Driver	120-277 V	120-277 V

LED System data above based on UFO-75WLED-UNIV-40 & UFO-75WLED-UNIV-50  
LED Lumen Maintenance Estimates based on TM-21 projections for the light source at 25°C ambient.

### ORDERING GUIDE:

Series	Watts	Driver	Color	Options
UFO	75WLED	UNIV 120-277 Driver	50 40	<p><b>WHT</b> White Fixture Housing</p> <p><b>LEDBBCT</b> -4°F - 80°F Battery Backup</p> <p><b>ILBCP05</b> 5W Battery Backup Factory Installed (32°F - 100°F)</p> <p><b>DIM</b> Dimming Leads Added</p> <p><b>SD480*</b> 480V Step Down Transformer</p> <p><b>SD347*</b> 347V Step Down Transformer</p> <p><b>SP1</b> 10kA Max Univolt Surge Protector</p> <p><b>SP2</b> 22kA Max Univolt Surge Protector</p> <p><b>BCS</b> Bird Cone Shield - Used w/ Pendant Mount Only</p> <p><b>PCxxx</b> Photocell (xxx= voltage)</p> <p><b>WLOS</b> Wet Location Occupancy Sensor</p> <p><b>BDxx</b> Preset Bi-Level Dim Sensor (xx=% e.g. 20, 30)</p> <p><b>USBD**</b> User Select Bi-Level Dim w/ Occ. Sensor</p> <p><b>FSIR/100</b> Remote Configuration Tool for WLOS, and USBD, Control Options</p> <p><b>BDxxPC</b> Preset Bi-Level Dim Sensor w/ Photocell</p> <p><b>TB</b> Trunnion Mount Bracket</p>

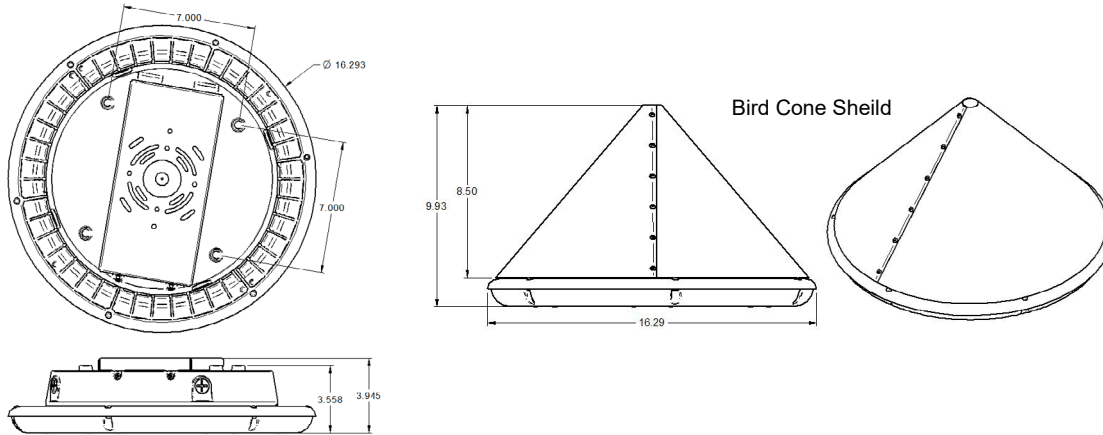
\* Option not currently DLC Qualified

\*\* Must Use w/ FSIR/100 Remote

LEDBBCT & SD480 Cannot Be Installed Together

# UFO PARKING GARAGE - 75WLED

## OUTDOOR

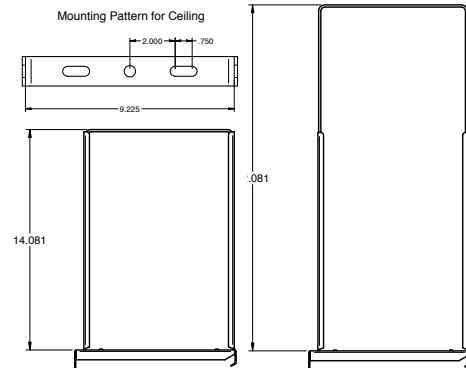


## MOUNTING OPTIONS

- **Pendant** - 1/2" Threaded pendant can be mounted through 1/2" coin plug on top of fixture (Supplied by other)
- **Quick Mount Bracket** - Standard for base of installation when surface mounting to either the ceiling or junction box
- **TB** - Trunnion Mount Bracket



Quick Mount Bracket



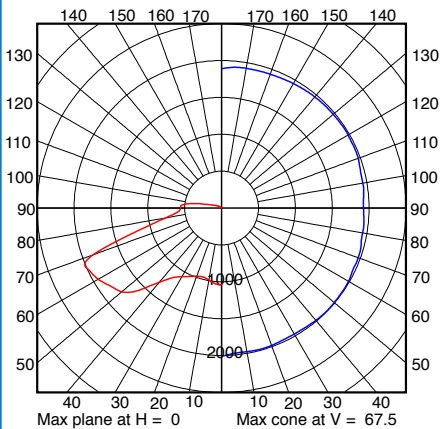
Trunnion Mount Bracket

## UFO-75WLED-UNIV-40

### SUMMARY DATA

HEMISPHERES TESTED:	BOTH
EFFICIENCY (Down / Up):	90.9 % / 9.1 %
EFFICIENCY (Street / House):	50.0 % / 50.0 %
ROADWAY CLASSIFICATION:	TYPE V
CUTOFF CLASSIFICATION:	NON CUTOFF
LUMENS:	9148
INPUT WATTS:	77

### CANDELA PLOT



Photometric values based upon tests performed in compliance w/ LM-79.  
 Download IES files at [www.ilp-inc.com](http://www.ilp-inc.com)