



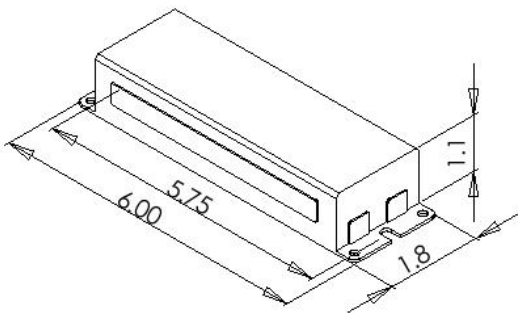
<b>Model No.</b>	<b>VE213120MR</b>
Family	Stratus
Ballast Type	Electronic
Lamp Operation	Parallel
Input Voltage	120V
Starting Method	Program Start

## PRODUCT SPECIFICATION

## ELECTRONIC BALLASTS

Lamp Type	No. of Lamps	Input Voltage (V)	Input Current (A)	Input Power (W)	Power Factor	MAX THD (%)	Ballast Factor	Min. Starting Temp.(F/C)	Lamp Current Crest Factor	B.E.F.
CFQ13W/G24q	1	120	0.21	14	0.50	150	0.92	0	1.7	6.57
CFQ13W/G24q	2	120	0.43	27	0.50	150	0.92	0	1.7	3.41
CFTR13W/GX24q	2	120	0.43	27	0.50	150	0.92	0	1.7	3.41
CFTR13W/GX24q	1	120	0.21	14	0.50	150	0.92	0	1.7	6.57

## Physical Parameters



Enclosure (in)	
Length	6.00
Width	1.8
Height	1.1
Mounting	5.75

Lead Length in.(+/-1.0)
Black
White
Red
Blue
Yellow

## Wiring Diagram

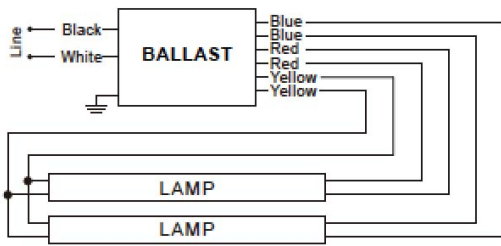


Diagram 71

