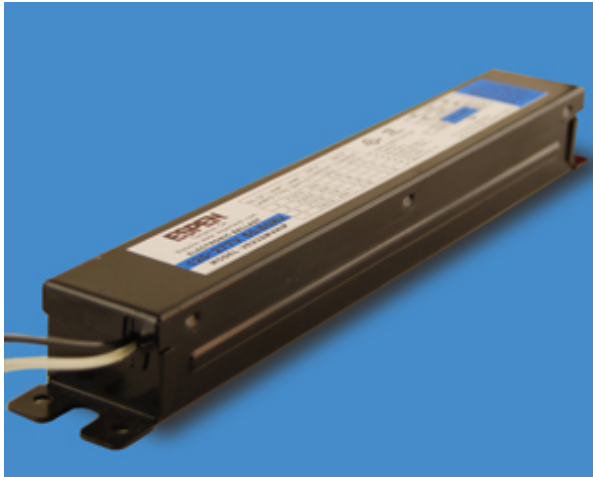


Fluorescent Ballasts



Electronic Ballasts

Product Info

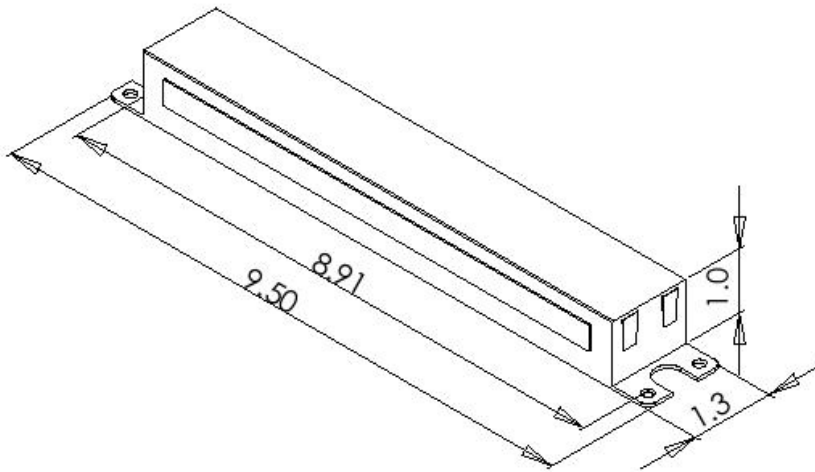
VE3P32MVHIPLE

Family	Elite
Ballast Type	Electronic
Lamp Operation	Parallel
Input Voltage	120/277V
Starting Method	Instant Start

Product Specification

Lamp Type	No. of Lamps	Input Voltage (V)	Input Current (A)	Input Power (W)	Power Factor	MAX THD (%)	Ballast Factor	Min. Starting Temp. (F/C)	Lamp Current Crest Factor	B.E.F.
F17T8	3	120/277	0.27/0.13	76/74	0.98	10	0.87	0	1.7	
F40T8 40W	3	120/277	0.50/0.26	57	0.98	10	0.82	0	1.7	
F32T8 32W	2	120/277	0.64/0.27	44	0.98	10	0.9	0	1.7	
F25T8 25W	3	120/277	0.48/0.22	41	0.98	10	0.87	0	1.7	
F25T8 25W	2	120/277	0.37/0.17	32	0.98	15	0.78	0	1.7	
F17T8 17W	2	120/277	0.35/0.15	68	0.98	10	0.8	0	1.7	1.04/1.05
F32T8/ES 30W	3	120/277	0.60/0.26	44	0.98	10	0.78	0	1.7	
F32T8/ES 30W	2	120/277	0.44/0.20	55	0.98	10	0.87	0	1.7	
F32T8/ES 28W	2	120/277	0.56/0.24	71	0.98	10	0.78	0	1.7	
F32T8/ES 28W	3	120/277	0.41/0.19	52	0.98	10	0.87	0	1.7	
F32T8/ES 25W	2	120/277	0.50/0.22	66	0.98	10	0.78	0	1.7	
F32T8/ES 25W	3	120/277	0.37/0.17	48	0.98	10	0.87	0	1.7	
F32T8 32W	2	120/277	0.46/0.21	59	0.98	10	0.85	0	1.7	

Physical Parameters



Enclosure	(in)	Lead Length	in.(+/-1.0)
Length	9.5	Black	12
Width	1.3	White	12
Height	1.18	Red	36
Mounting	8.91	Blue	24
		Yellow	N/A

Wiring Diagram

