



VEL12XXXMVH	
Driver Type	Constant Current
Input Voltage	120-277V
Input Frequency	50/60 Hz

Features
<ul style="list-style-type: none"> • Flying leads for rapid connection • For Dry or Damp Location • Meets FCC/IC Requirements • UL Class 2 • Constant Current Output

PRODUCT SPECIFICATIONS

LED DRIVER

Output Current	200mA	350mA	500mA	700mA	1050mA	
OUTPUT						
No. of Channels	1					
Output Voltage (Range)	18-33V	18-33V	12-24V	9-17V	6-11.5V	
Output Current	200mA	350mA	500mA	700mA	1050mA	
Rated Power	6.6W	11.55W	12W	12W	12W	
Ripple and Noise (max.)	3.3Vp-p	3.3Vp-p	3.3Vp-p	3.3Vp-p	3.3Vp-p	
Start Time	1000ms / 120VAC at full load					
Output Current Regulation	± 5%					
INPUT						
Frequency	50/60 Hz					
Input Voltage (range)	120-277VAC					
Power Factor (min.)	0.9 at full load					
THD (max.)	25%					
Efficiency (110V/220V)	85.0%	85.0%	85.0%	85.0%	85.0%	
Input AC Current (max.)	50mA @ 277VAC; 120mA @ 120VAC					
Inrush Current (max.)	10A @ 120VAC (cold start, μ s at 50% I _{peak})					
Leakage Current (max.)	0.5mA / 120VAC					

ORDERING INFORMATION:

EXAMPLE: VEL12035MVH-2

VEL
Manufacturer's Code

12
Max Wattage
12 = 12W

035
Output Current
020 = 200mA
035 = 350mA
050 = 500mA
070 = 700mA
105 = 1500mA

MV
Input Voltage
MV = Multi-volt
120-277V

H
Power Factor
H = High

2
Case Type*
2 = Case 2
3 = Case 3
5 = Case 5

* See page 3 for case dimensions

Specification data is based on tests performed in a controlled environment and represents relative performance. Actual performance can vary depending on operating conditions. Application and performance data subject to change without notice. All specifications are nominal unless noted otherwise.

General Specifications

Dimming Type:	N/A
Dimming Range:	N/A
Warranty:	5-years Limited Warranty
Max. Case Temp. (Tc):	85°C
MTBF:	> 333,700 hours. Measured at 120V, 80% load, 25°C ambient
Life Rating:	72,000 hours @ 120VAC, 80% load, 60°C case temp.

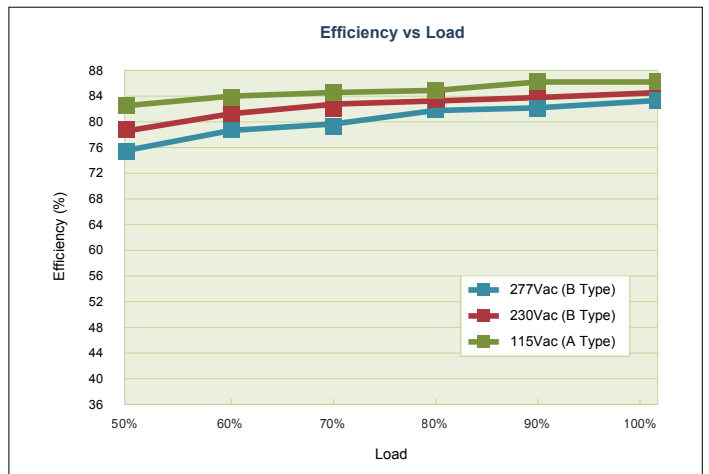
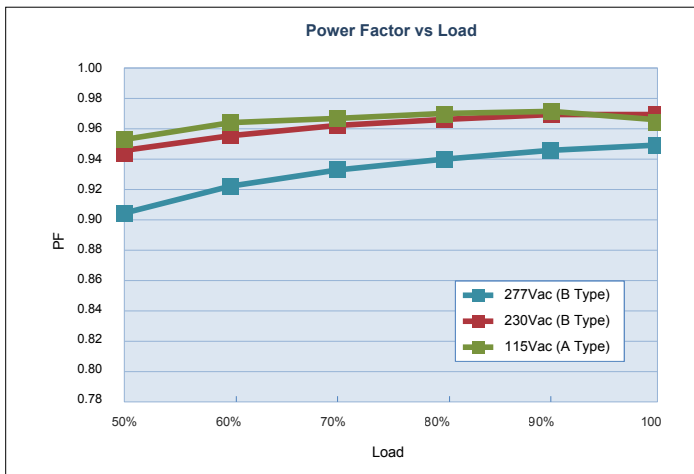
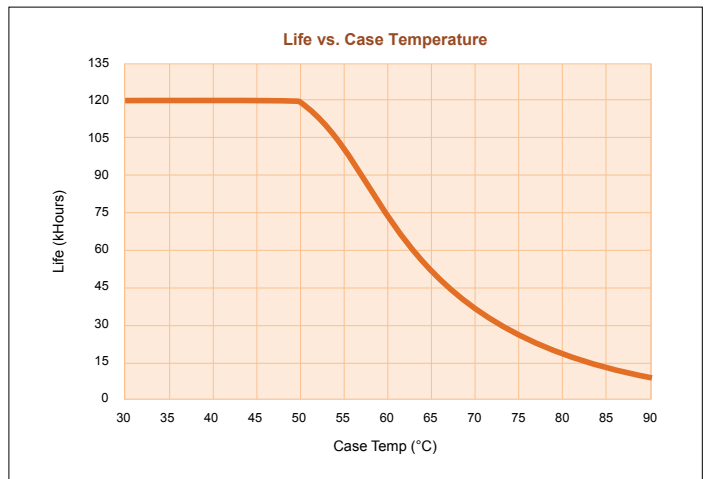
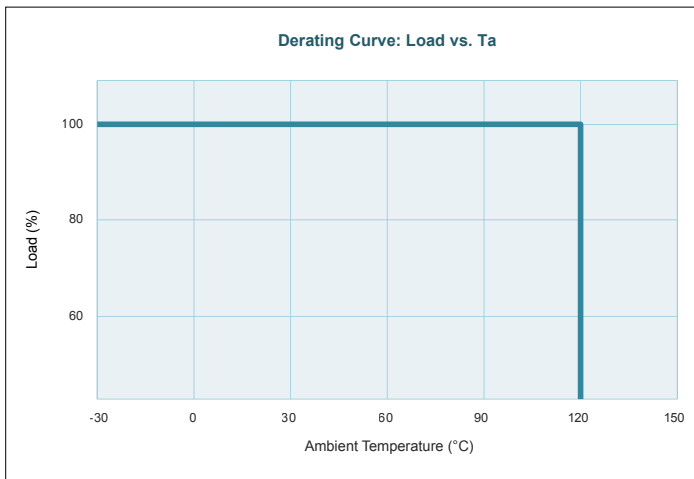
Environmental

Operating Temperature (min. ~ max.)	-25°C ~ +55°C
Storage Temperature (min. ~ max.)	-25°C ~ +55°C
Operating Humidity	20 ~ 95% RH
Storage Humidity	10 ~ 95% RH
Temperature Coefficient (%/°C)	± 0.03% / °C (0~50°C)
IP Rating	IP20

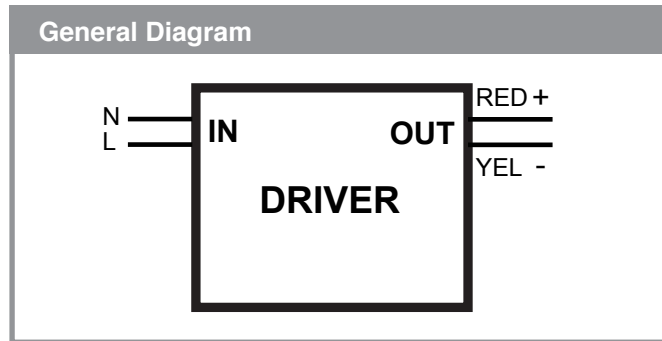
Safety

Protection:	Short Circuit: Auto Recovery No load: Vomax ~ 120% Vomax SCP, OVP
Safety and EMC:	UL/cUL, UL8750 Class 2 FCC Part 15 Class B

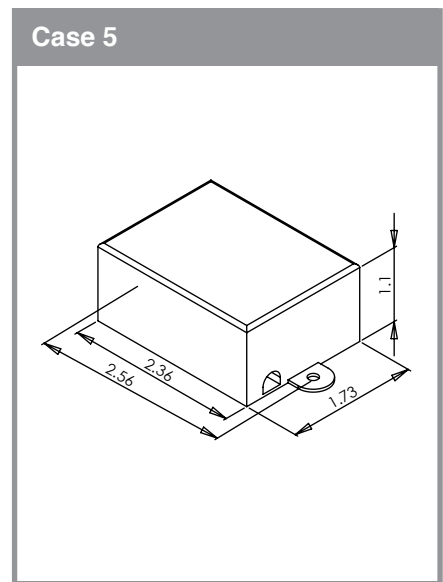
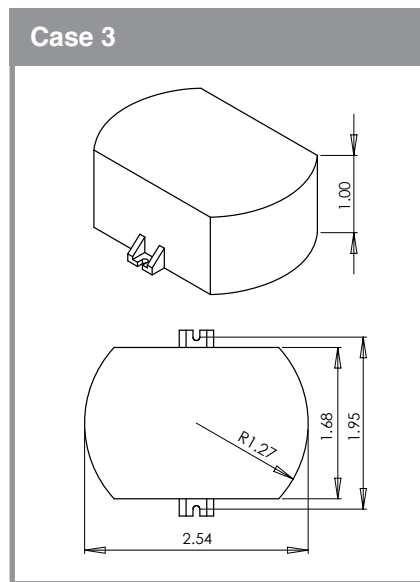
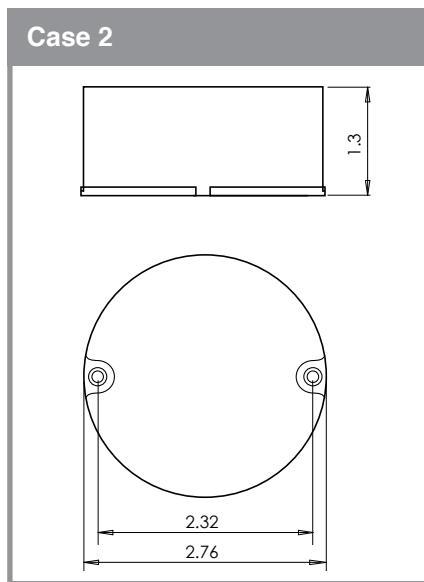
Characteristic Curves



Wiring Diagram



Physical Parameters



Enclosure (in. ±1)	Case 2	Case 3	Case 5
Length (L)	2.76	2.54	2.36
Width (W)	-	1.68	1.73
Height (H)	1.30	1.00	1.10
Mounting (M)	2.32	1.95	2.56
Net Weight (lbs)	1.00	1.00	1.00

Lead Length (in. ±1) 18 AWG	Case 2	Case 3	Case 5
Input Black	8	8	8
Input White	8	8	8
Input Black/White	-	-	-
Control Violet	-	-	-
Control Grey	-	-	-
Output Red	8	8	8
Output Yellow	8	8	8

Specification data is based on tests performed in a controlled environment and represents relative performance. Actual performance can vary depending on operating conditions. Application and performance data subject to change without notice. All specifications are nominal unless noted otherwise.