



VEL12XXX120HDA-X	
Family	ULTRON
Driver Type	Dimming Electronic
Input Voltage	120V
Input Frequency	60 Hz

PRODUCT SPECIFICATIONS

LED DRIVER

Model No.	Max. Output Power (W)	Max Output Voltage (V)	Output Current (mA)	Input Current at 120V (A)	Power Factor	Min. Starting Temp.
VEL12020120HDA-X	12	36	200	0.10	> 0.90	-30°F/-34°C
VEL12035120HDA-X	12	36	350	0.13	> 0.90	-30°F/-34°C
VEL12050120HDA-X	12	36	500	0.13	> 0.90	-30°F/-34°C
VEL12055120HDA-X	12	36	550	0.13	> 0.90	-30°F/-34°C
VEL12070120HDA-X	12	25	700	0.13	> 0.90	-30°F/-34°C
VEL12105120HDA-X	12	25	1050	0.13	> 0.90	-30°F/-34°C

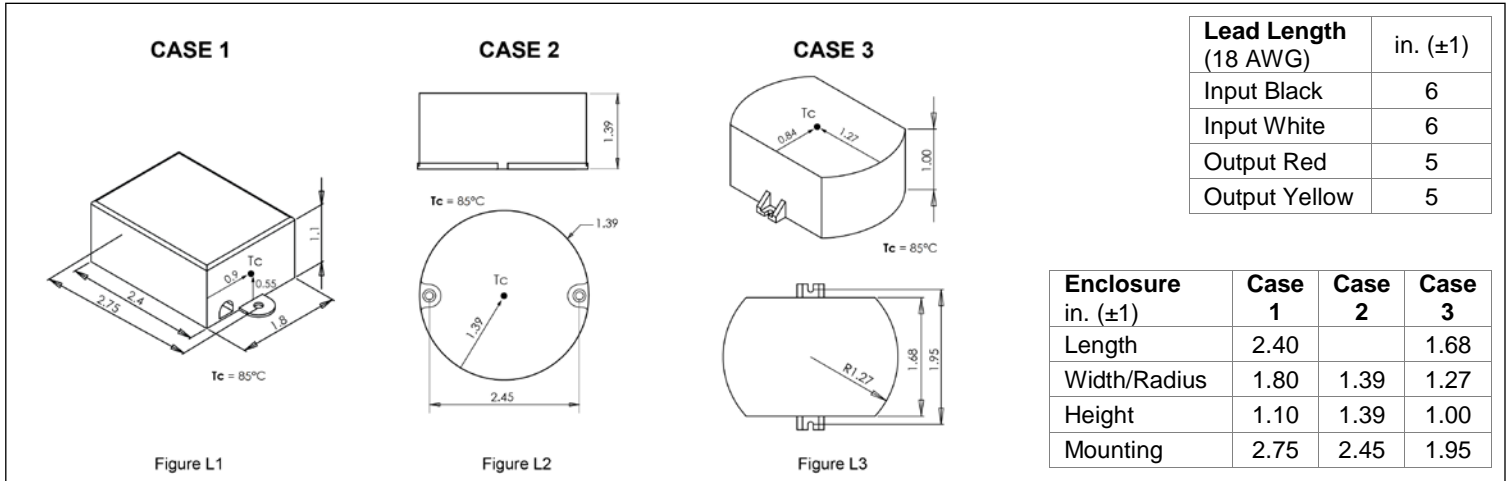
Performance

- Flying leads for rapid connection
- For Damp Location
- Inherent Thermal protection
- Meets FCC/IC Requirements
- UL Class 2
- Constant Current Output
- TRIAC Dimming

Wiring Diagram



Physical Parameters



ORDERING INFORMATION: **VEL12020120HDA -3**

VEL Manufacturer's Code	12 Max Wattage 12 = 12W	020 Output Current 020 = 200mA (200mA – 1050mA)*	120 Input Voltage 120 = 120V	H Power Factor H = High	D Dimming D = TRIAC Dimming	A UL Class 2 A = Class 2	-	3 Case Type 1 = Case 1 2 = Case 2 3 = Case 3
-----------------------------------	--------------------------------------	--	---	--------------------------------------	--	---------------------------------------	----------	---

* Customer can specify output current between 200mA – 1050mA

Specification data is based on tests performed in a controlled environment and represents relative performance. Actual performance can vary depending on operating conditions. Application and performance data subject to change without notice. All specifications are nominal unless noted otherwise.

