



Specification Data

Espen Generic Part No.	
Espen Generic Model No.	VEL18047MVHDA-10V-YY



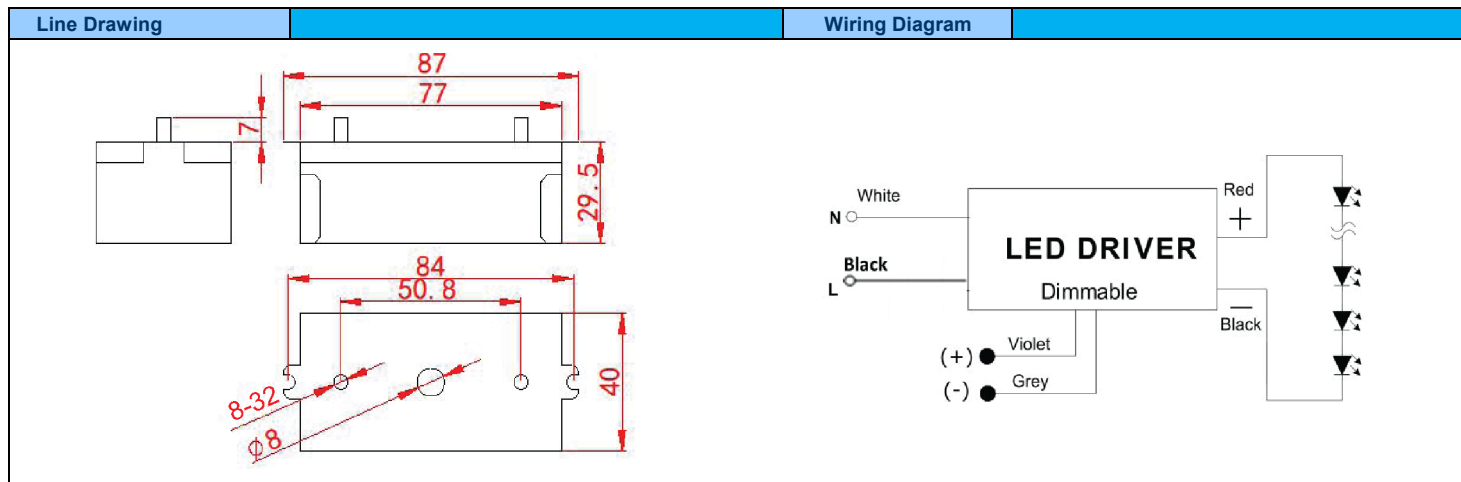
Output	Rated Current	470mA				
	Operating Voltage Range (min. ~ max.)	33-44Vdc				
	Rated Power (Max @W)	18W				
	Output Current ripple(ripple = pk-pk/avg)	<30%@470mA				
	Start Time (Max. ms @ VAC)	<500ms / @ 120VAC @ rated load				
	Output Current Regulation (%)	± 5%				
	Output Dimming Range (%)	1%-100%				

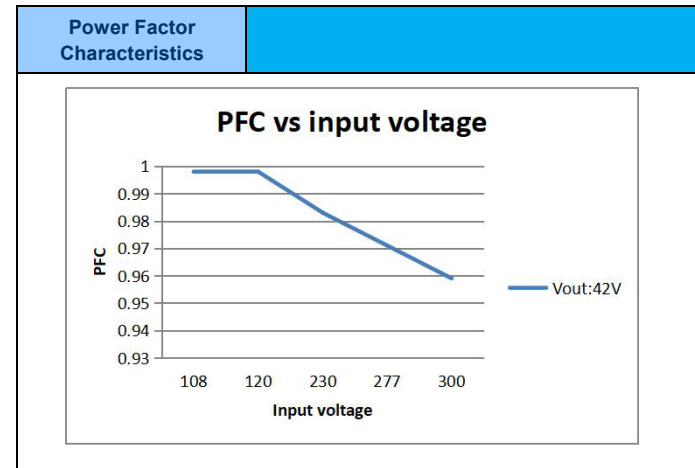
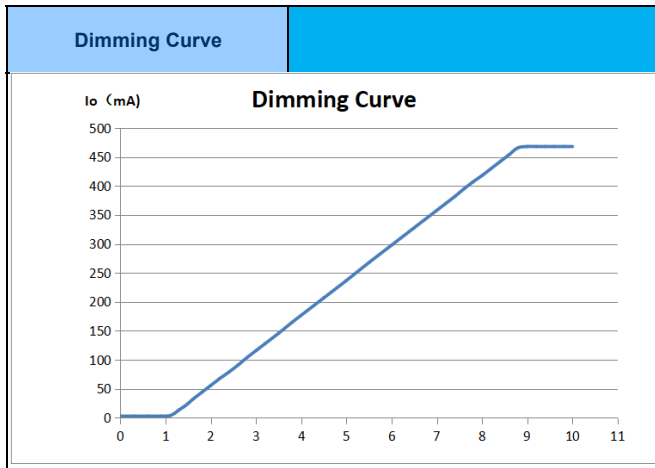
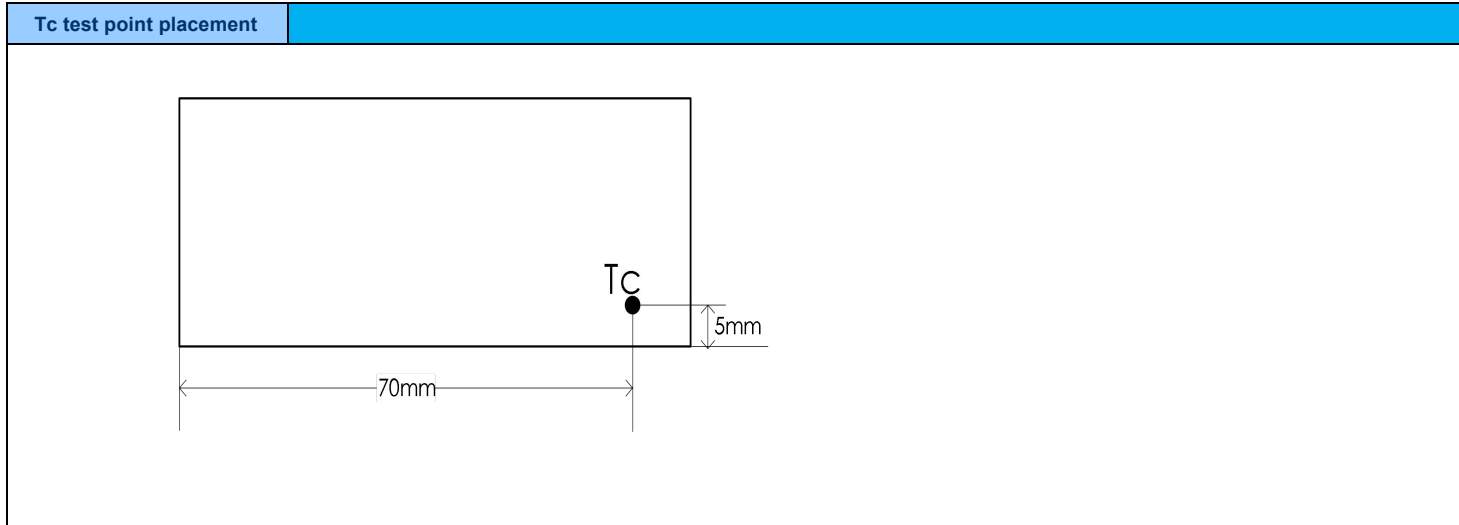
Input	Frequency Range	47 ~ 63 HZ			
	Input Voltage Range (± 10%)	120-277 VAC (± 10%)			
	Power Factor (Min.)	0.9			
	THD (Max.)	20%			
	Efficiency (typ. %@277VAC rated load)	82.0%			
	Input AC Current (Max. @ VAC)	0.2A @ 120VAC at full load			
	Inrush Current (Max.)	277VAC @ 25 DEG C: <35Amp peak			
	Leakage Current (Max. @ VAC)	1.5mA / 120VAC			

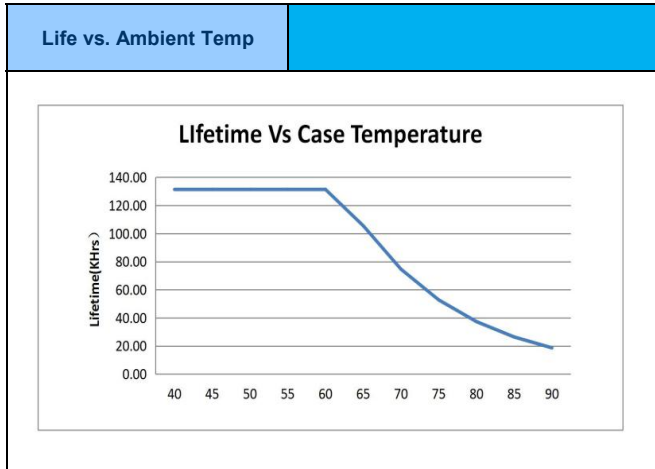
General Specifications		Data	Notes
	Dimming Type	DC DIMMING	0-10V
	Dimming Range	1%-100%	
	0-10v Dimming Interface Current	<2mA	
	MTBF	>200,000hrs	calculated to MIL-HDBK217F @ 25 DEG C. rated load. Ground Benign.
	Max. Case Temp.	90°C	
	Life Rating (@ Load %, @79°C Tc.)	50,000 hours	Measured at 120/277VAC, 100% load, 75°C Tc.
	Warranty	5-years Limited Warranty	

Protection	Type	
	Over Power	The driver always works within a safe working area
	No Load Voltage (% min. ~ max.)	Vomax ~ 120% Vomax
	Short Circuit	Current limit protection
	Input Transient Protection	Power supply shall comply with IEEE C.62.41-1991, Class A operation. The line transient shall consist of seven strikes of a 100 kHz ring wave, 2.5kV level for both common mode and differential mode.
Others	Over Temperature Protection, No load protection	
Environmental	Operating Temperature (min. ~ max.)	-30 ~ +50°C
	Storage Temperature (min. ~ max.)	-40~ +80°C
	Operating Humidity	20 ~ 95% RH
	Storage Humidity	10 ~ 95% RH
	Temperature Coefficient (%/C)	±0.03% / °C (0~50°C)
	Application	For Dry and Damp location
	Audible sound Level	<24dB (30 cm)
Safety & EMC	Safety Standards	UL, cUL, UL8750 Class 2; UL1310; CSA C22.2 No. 250.13-12, RoHS, Class P
	EMI/EMC Standards	FCC Part 15 Class B, Compliance to EN 61547/1995+A1/2000

Physical Parameters		L	W	H	M		
	Dimensions (mm)	241.3	33	28	226		
	Net Weight (g)	285g					
	Input Leads (AWG, Length)	Line	Black, 254mm, 18AWG, stranded lead, stripped and tinned 10mm				
		Neutral	White, 254mm, 18AWG, stranded lead, stripped and tinned 10mm				
	Output Leads (Color, AWG, Length)	Positive	Red, 254mm, 18AWG, stranded lead, stripped and tinned 10mm				
		Negative	Blue, 254mm, 18AWG, stranded lead, stripped and tinned 10mm				
		Dimming+	Violet, 254mm, 18AWG, stranded lead, stripped and tinned 10mm				
Dimming-		Gray, 254mm, 18AWG, stranded lead, stripped and tinned 10mm					
Packaging	QTY/CTN	Dimensions (in.)		Weight (lbs.)			
	NA	NA		NA			







Dimmer Compatability List	Dimmer Manufacturer	Dimmer Model No.
		LUTRON
	LEVITON	IP710-DL