



VEL19060120HDA-X	
Family	ULTRON
Driver Type	Dimming Electronic
Input Voltage	120V
Input Frequency	60 Hz

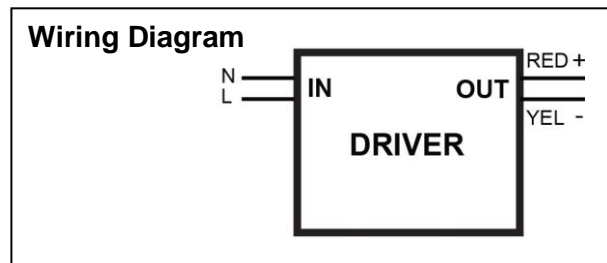
## PRODUCT SPECIFICATIONS

## LED DRIVER

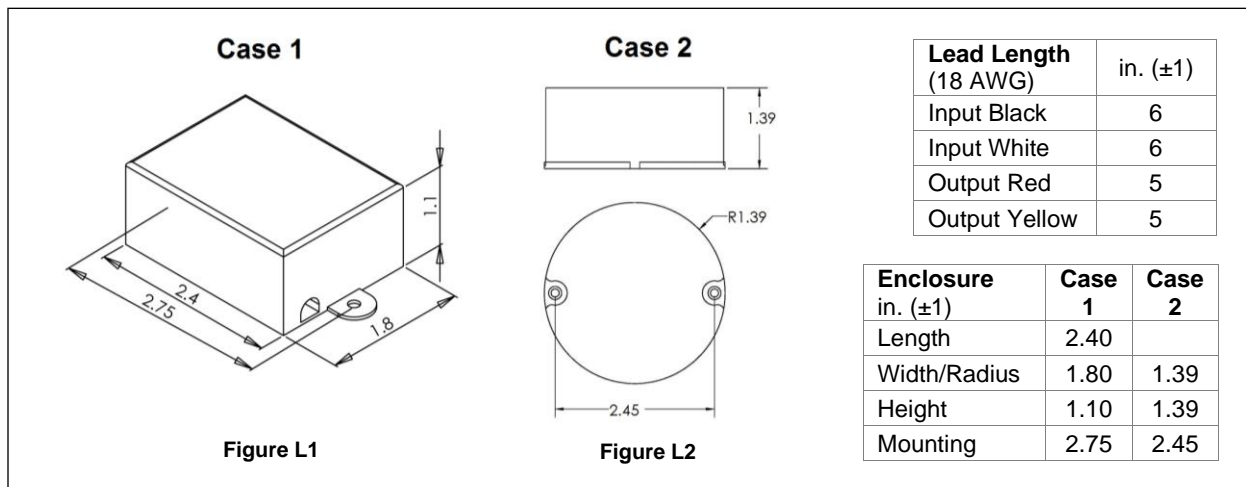
Model No.	Max. Output Power (W)	Max Output Voltage (V)	Output Current (mA)	Input Current at 120V (A)	Power Factor	Min. Starting Temp.
VEL19060120HDA-X	19	36	600	0.17	> 0.90	-30°F/-34°C

### Performance

- Flying leads for rapid connection
- For Damp Location
- Inherent Thermal protection
- Meets FCC/IC Requirements
- UL Class 2
- Constant Current Output
- TRIAC Dimming



### Physical Parameters



### ORDERING INFORMATION: VEL19020120HDA -1

<b>VEL</b>	<b>19</b>	<b>020</b>	<b>120</b>	<b>H</b>	<b>D</b>	<b>A</b>	-	<b>1</b>
Manufacturer's Code	Max Wattage 19 = 19W	Output Current 020 = 200mA (200mA – 1050mA)*	Input Voltage 120 = 120V	Power Factor H = High	Dimming D = TRIAC Dimming	UL Class 2 A = Class 2		Case Type 1 = Case 1 2 = Case 2
* Customer can specify output current between 200mA – 1050mA								

Specification data is based on tests performed in a controlled environment and represents relative performance. Actual performance can vary depending on operating conditions. Application and performance data subject to change without notice. All specifications are nominal unless noted otherwise.

