



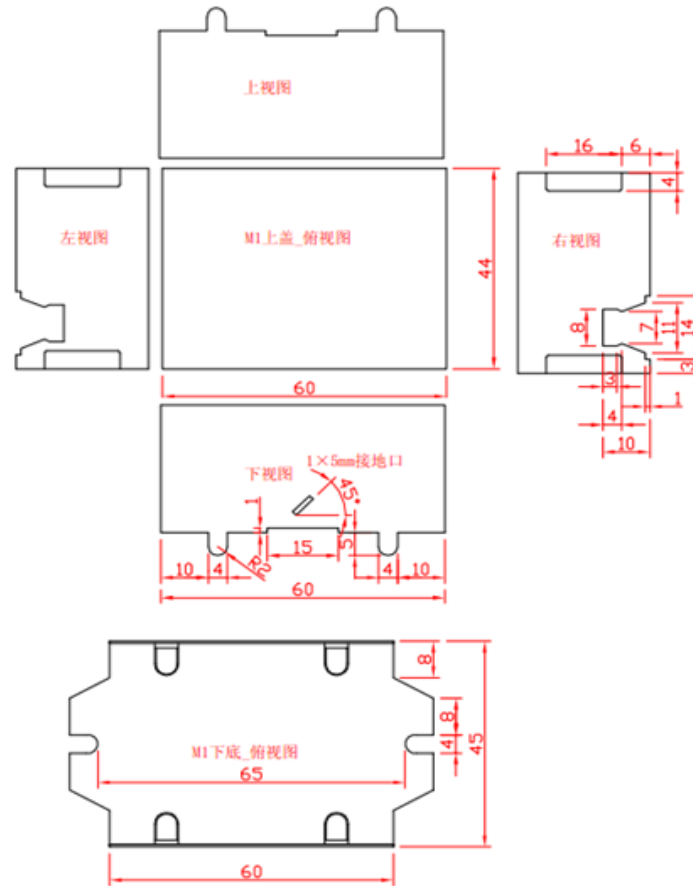
Specification

Espen Generic Part No.	
Espen Generic Model No.	VEL19070MVH-1(5)

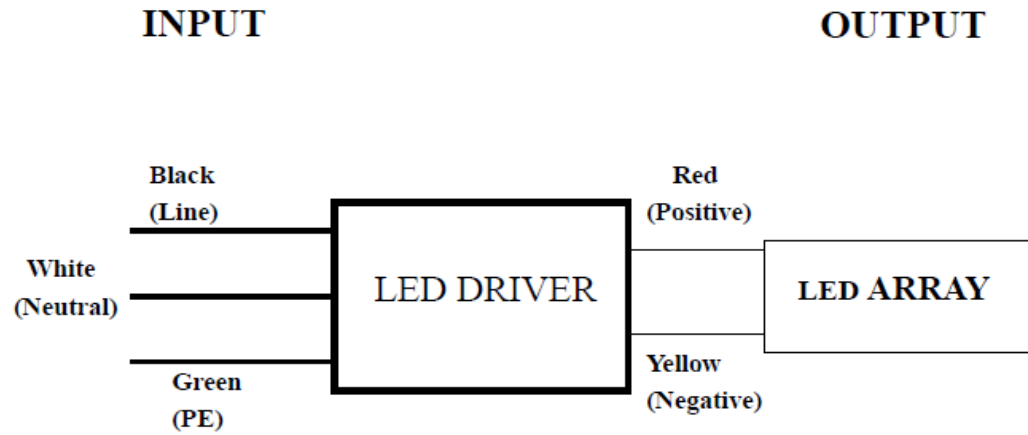
Output	Rated Current	700mA	
	Operating Voltage Range (min. ~ max.)	16-22V	
	Rated Power (W)	14W	
	Output Current ripple(0.5*(pk-pk)/avg)	50%700mA	
	Start Time (Max. ms @ VAC)	300ms / 120VAC at full load	
	Output Current Regulation (%)	± 5%	
Input	Frequency Range	50/60HZ	
	Input Voltage Range	120-277VAC+/-10%	
	Power Factor (Min.)	0.9 at full load	
	THD (Max.)	20%	
	Efficiency (typ. % @load)	83% @ at full load	
	Input AC Current (Max. @ VAC)	180mA @ 120VAC	
	Inrush Current (Max.)	20A @ 120VAC (cold start, μ s at 50% Ipeak)	
	Leakage Current (Max. @ VAC)	0.75mA / 120VAC	
General Specifications		Data	Notes
	MTBF	>200,000 hours	Measured at 120VAC, 80% load, 25°C ambient (MIL-HDBK-217F)
	Max. Case Temp.	80°C	
	Life Rating (@ Load %, @ ambient temp.)	50,000 hours	Measured at 120VAC, 80% load, 55°C ambient temp.

Protection	Type					
	Short Circuit	Auto recovery after fault condition is removed				
	No Load Voltage (% min. ~ max.)	Vomax ~ 140% Vomax				
	Input Transient Protection	Power supply shall comply with IEEE C.62.41-1991, Class A operation. The line transient shall consist of seven strikes of a 100 kHz ring wave, 2.5kV level for both common mode and differential mode.				
	Others	SCP, OVP				
Environmental	Operating Temperature (min. ~ max.)	-25 ~ +55°C				
	Storage Temperature (min. ~ max.)	-25 ~ +85°C				
	Operating Humidity	20 ~ 85% RH				
	Storage Humidity	10 ~ 95% RH				
	Temperature Coefficient (%/C)	±0.03% / °C (0~55°C)				
	IP Rating	IP20				
Safety & EMC	Safety Standards	UL, cUL, UL8750 Class 2				
	EMI/EMC Standards	FCC Part 15 Class B				
Physical Parameters		L	W	H	M	R
	Dimensions(mm)	60	44	28	65	
	Net Weight	46g				
	Input Leads (AWG, Length)	Line	黑色1015 18AWG 105°C 600V 外露线长200mm 全剥10mm沾锡			
		Neutral	白色1015 18AWG 105°C 600V 外露线长200mm 全剥10mm沾锡			
	Output Leads (Color, AWG, Length)	Positive	红色1015 18AWG 105°C 600V 外露线长200mm 全剥10mm沾锡			
		Negative	黄色1015 18AWG 105°C 600V 外露线长200mm 全剥10mm沾锡			
Packaging	QTY/CTN	Dimensions		Weight		

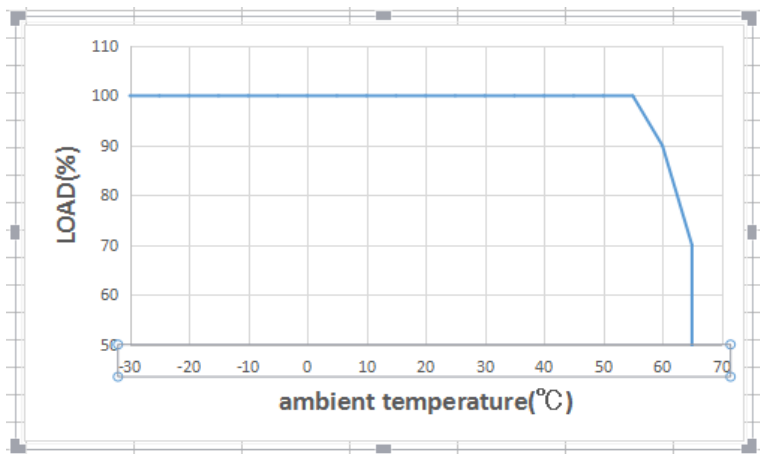
Line Drawing



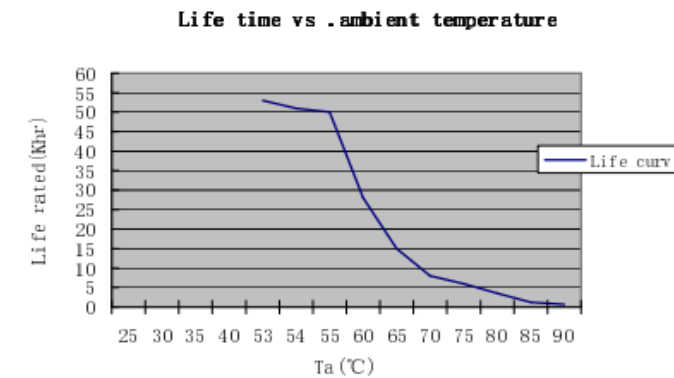
Wiring Diagram




Derating Curve



Life vs. Ambient Temp



Label




Santa Fe Springs, CA
www.espentech.com

CONSTANT CURRENT LED Driver **120-277V 50/60Hz**

Class 2 Power Supply | Dry or Damp Location Only

VEL19070MVH-1
In: 20W, 180mA
Out: 16-22V, 700mA
PF: >0.90

W — N — + — Red
B — L — - — Yel

RoHS 

CAUTION
DISCONNECT LINE VOLTAGE BEFORE INSTALLING OR REPLACING. CASE MUST BE GROUNDED.

Toll Free: 1-866-933-7736 Made in China