



Specification

Espen Generic Part No.	
Espen Generic Model No.	VEL29070MVH-1 (43)

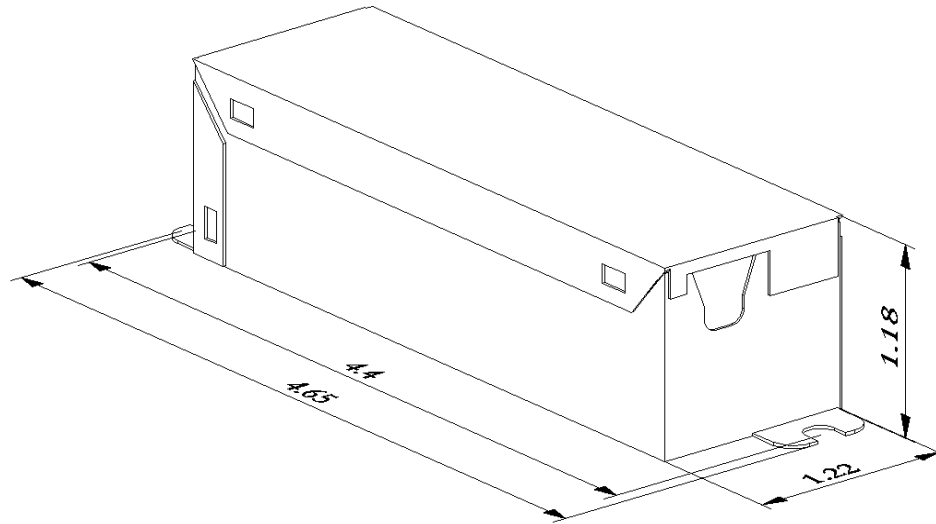


Output	Rated Current	700mA	
	Operating Voltage Range (min. ~ max.)	28-42V	
	Rated Power (W)	29W	
	Output Current ripple(0.5*(pk-pk)/avg)	50% 700mA	
	Start Time (Max. ms @ VAC)	750ms / 120VAC at full load	
	Output Current Regulation (%)	± 5%	
Input	Frequency Range	50/60HZ	
	Input Voltage Range	120-277VAC+/-10%	
	Power Factor (Min.)	0.9 at full load	
	THD (Max.)	20%	
	Efficiency (typ. % @ at full load)	86.0%	
	Input AC Current (Max. @120 VAC)	310mA	
	Inrush Current (Max.)	20A @ 120VAC (cold start, µs at 50% Ipeak)	
	Leakage Current (Max. @ VAC)	0.75mA / 277VAC	
General Specifications		Data	Notes
	MTBF	>200,000 hours	Measured at 120VAC, 80% load, 25°C ambient (MIL-HDBK-217F)
	Max. Case Temp.	79°C	
	Life Rating (@ Load %, @ ambient temp.)	50,000 hours	Measured at 120VAC, 80% load, 55°C ambient temp.

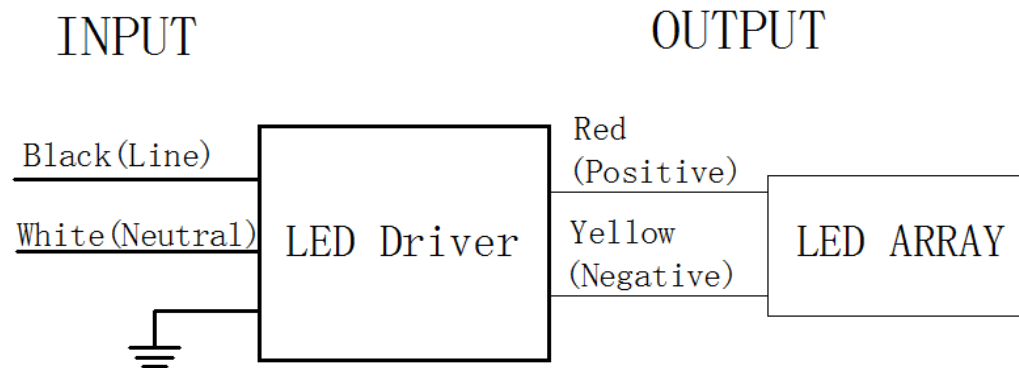


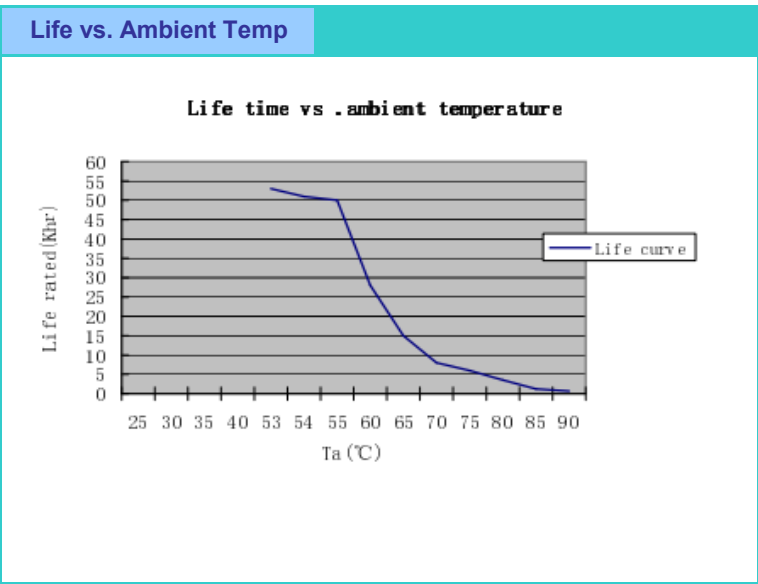
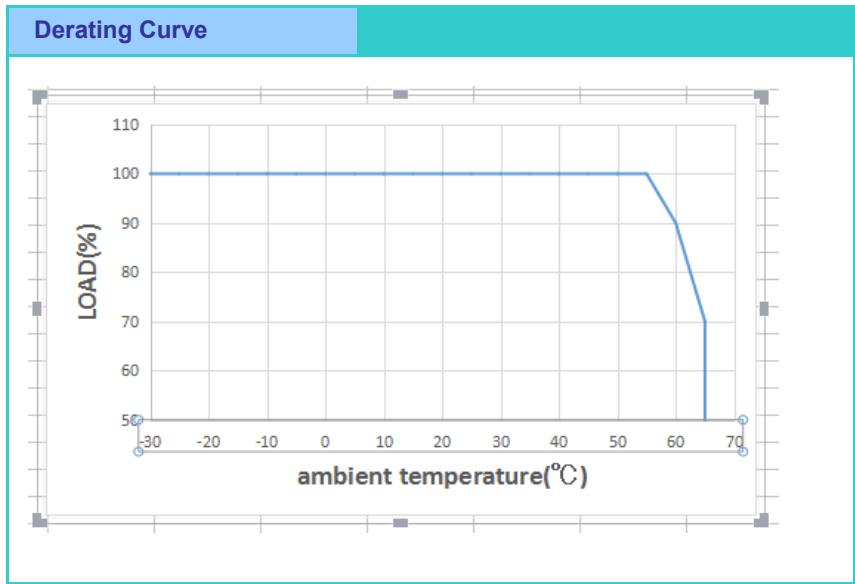
Protection	Type					
	Short Circuit	Auto recovery after fault condition is removed				
	No Load Voltage (% min. ~ max.)	Vomax ~ 140% Vomax				
	Input Transient Protection	Power supply shall comply with IEEE C.62.41-1991, Class A operation. The line transient shall consist of seven strikes of a 100 kHz ring wave, 2.5kV level for both common mode and differential mode.				
	Others	SCP, OVP				
Environmental	Operating Temperature (min. ~ max.)	-25 ~ +55°C				
	Storage Temperature (min. ~ max.)	-25 ~ +65°C				
	Operating Humidity	20 ~ 95% RH				
	Storage Humidity	10 ~ 95% RH				
	Temperature Coefficient (%/C)	±0.03% / °C (0~50°C)				
	IP Rating	IP20				
Safety & EMC	Safety Standards	UL, cUL, UL8750 Class 2				
	EMI/EMC Standards	FCC Part 15 Class B				
Physical Parameters		L	W	H	M	R
	Dimensions(inches)	4.65	1.22	1.18	4.4	
	Net Weight	0.55 lbs.				
	Input Leads (AWG, Length)	Line	BLK 1015 18AWG 105°C 600V length 200 mm strip10mm			
		Neutral	WHT1015 18AWG 105°C 600V length 200 mm strip10mm			
	Output Leads (Color, AWG, Length)	Positive	RED 1015 18AWG 105°C 600V length 200 mm strip10mm			
		Negative	YEL 101518AWG 105°C 600V length 200 mm strip10 mm			
Packaging	QTY/CTN	Dimensions (in.)		Weight (lbs.)		

Line Drawing



Wiring Diagram





Label

Santa Fe Springs, CA
www.espentech.com
Toll Free: 1-866-933-7736

**CONSTANT CURRENT
LED Driver**

120-277V 50/60Hz

Class 2 Power Supply | Dry or Damp Location Only

VEL29070MVH-1
Input: 37W, Max. 310mA @ Vin=120Vac
Output: 28-42V, 700mA
PF: >0.9 Type TL 79/57°C

Tc

CAUTION DISCONNECT LINE VOLTAGE BEFORE INSTALLING OR REPLACING.

Made in China