



Specification Data

Espen Generic Part No.	0202000036
Espen Generic Model No.	VEL30042MVHDA-10V-1(43)



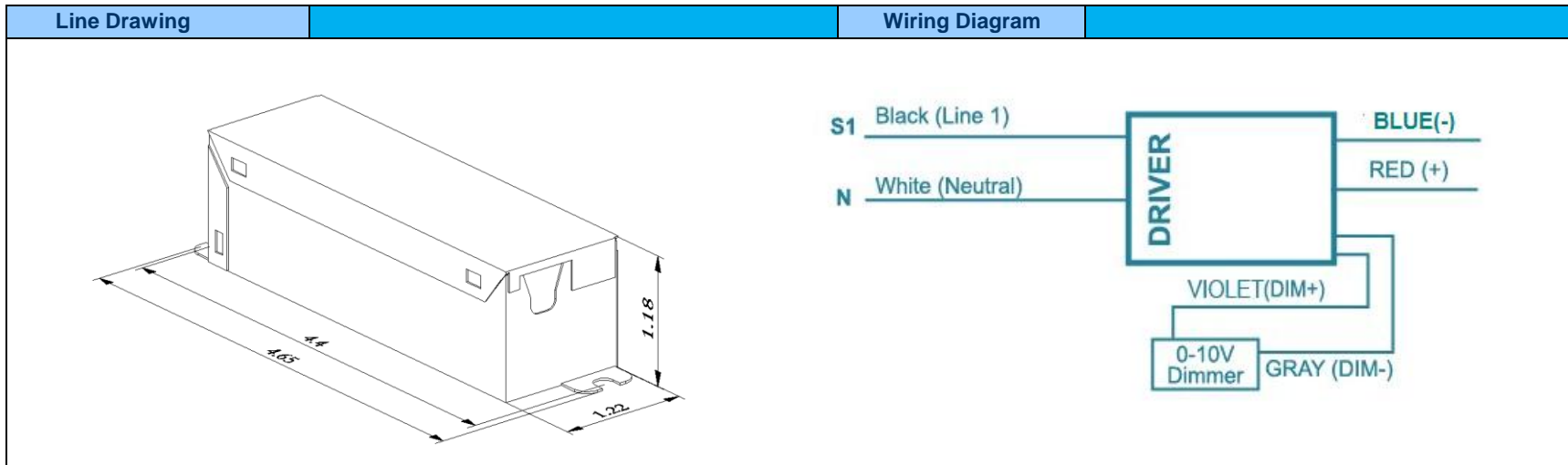
Output	Rated Current	420mA				
	Operating Voltage Range (min. ~ max.)	28-42V				
	Rated Power (Max @W)	18.5W				
	Output Current ripple(ripple = pk-pk/avg)	5%@420mA				
	Start Time (Max. ms @ VAC)	1000ms / @ 120VAC @ rated load				
	Output Current Regulation (%)	± 5%				
	Output Dimming Range (%)	10%-100%				
Input	Frequency Range	47 ~ 63 HZs				
	Input Voltage Range (±10%)	120-277 VAC (±10%)				
	Power Factor (Min.)	0.9 at rated load				
	THD (Max.)	20%				
	Efficiency (typ. %@277VAC rated load)	82.0%				
	Input AC Current (Max. @ VAC)	0.21A @ 120VAC at full load				
	Inrush Current (Max.)	277VAC @ 25 DEG C: <18Amp peak				
	Leakage Current (Max. @ VAC)	1.5mA / 120VAC				
General Specifications		Data	Notes			
	Dimming Type	DC DIMMING	0-10V			
	Dimming Range	10%-100%				
	0-10v Dimming Interface Current	<2mA				
	MTBF	>200,000hrs	calculated to MIL-HDBK217F @ 25 DEG C. rated load. Ground Benign.			
	Max. Case Temp.	79°C				
	Life Rating (@ Load %, @79°C Tc.)	50,000 hours	Measured at 120/277VAC, 100% load, 79°C Tc.			
	Warranty	5-years Limited Warranty				

Protection	Type	
	Over Power	The driver always works within a safe working area
	No Load Voltage (% min. ~ max.)	Vomax ~ 120% Vomax
	Short Circuit	Current limit protection
	Input Transient Protection	Power supply shall comply with IEEE C.62.41-1991,Class A operation.The line transient shall consist of seven strikes of a 100 kHz ring wave,2.5kV level for both common mode and differential mode.
	Others	Over Temperature Protection, No load protection

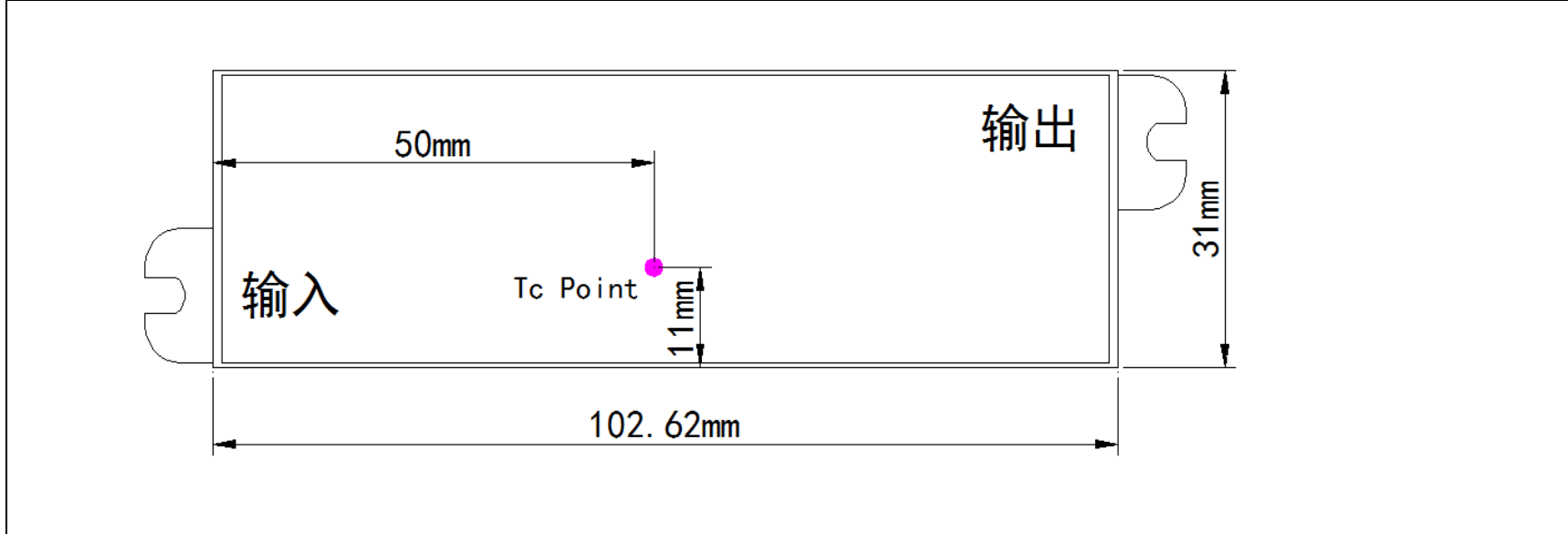
Environmental	Operating Temperature (min. ~ max.)	-30 ~ +50°C
	Storage Temperature (min. ~ max.)	-40~ +80°C
	Operating Humidity	20 ~ 95% RH
	Storage Humidity	10 ~ 95% RH
	Temperature Coefficient (%/C)	±0.03% / °C (0~50°C)
	Application	For Dry and Damp location

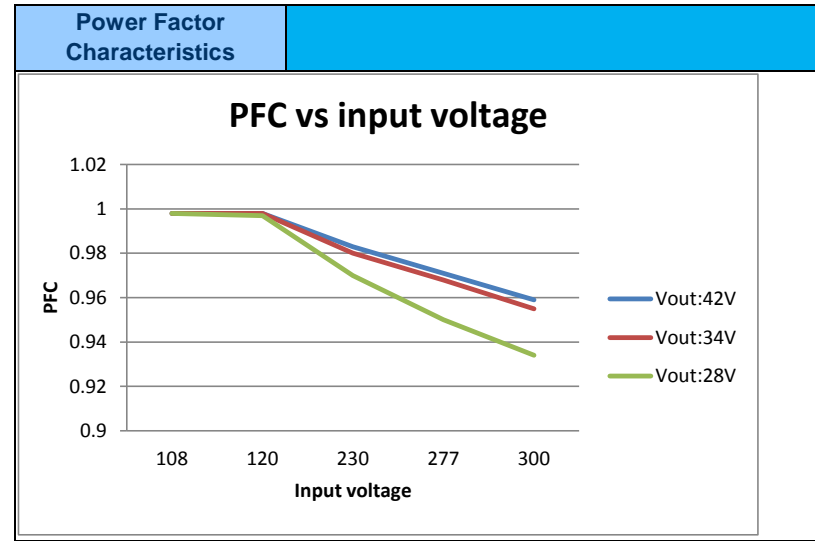
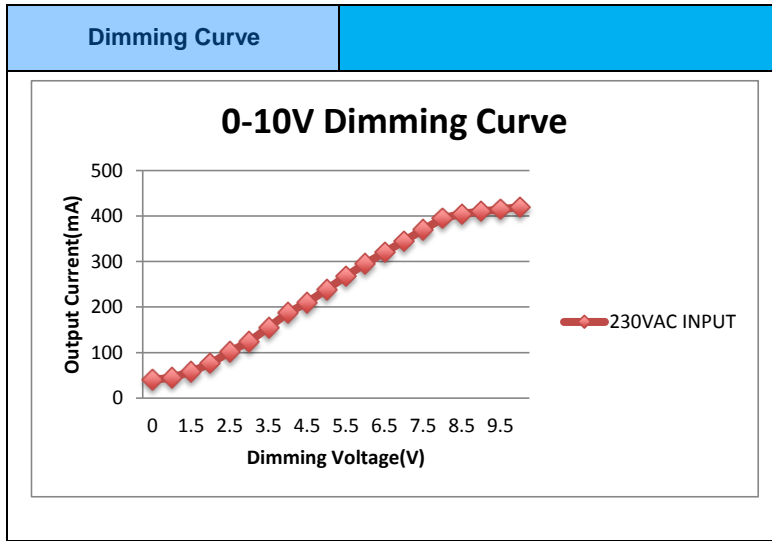
Safety & EMC	Safety Standards	UL, cUL, UL8750 Class 2;UL1310;CSA C22.2 No. 250.13-12
	EMI/EMC Standards	FCC Part 15 Class A, Compliance to EN 61547/1995+A1/2000

Physical Parameters		L	W	H	M		
	Dimensions (inches)	4.65"	1.22"	1.18"	4.4"		
	Net Weight (g)	63g					
	Input Leads (AWG, Length)	Line	Black single 18AWG 105°C 600V length 500mm(+/-25mm) wire stripping 10mm(+/-1mm)				
		Neutral	White single 18AWG 105°C 600V length 500mm(+/-25mm) wire stripping 10mm(+/-1mm)				
	Output Leads (Color, AWG, Length)	Positive	Red single 20AWG 105°C 600V length 800mm(+/-25mm) wire stripping 8mm(+/-1mm)				
		Negative	Blue single 20AWG 105°C 600V length 800mm(+/-25mm) wire stripping 8mm(+/-1mm)				
		Dimming+	Violet single 18AWG 105°C 600V length 800mm(+/-25mm) wire stripping 10mm(+/-1mm)				
		Dimming-	Gray single 18AWG 105°C 600V length 800mm(+/-25mm) wire stripping 10mm(+/-1mm)				
	Packaging		QTY/CTN	Dimensions (in.)		Weight (lbs.)	
		NA	NA		NA		



Tc test point placement





Dimmer Compatability List	Dimmer Manufacturer	Dimmer Model No.
	EASEIC	EID110U
	LEVITON	AWSMT716