



Model NO. VEL30BN-2C-10V	
Family	RetroFlex LED Driver
Driver type	Constant Current
Lamp Operation	Series
Input Frequency	50/60 Hz
Starting Method	Instant Start
Dimming	0-10V Dimming

PRODUCT SPECIFICATIONS

Lamp Type	No. of lamps	Input Voltage (V)	Input Power (W)	Input Current (mA)	Power Factor	MAX THD (%)	Min Starting Temp.	Lamp Current Crest Factor
L48T8/8XX/12G-EB	1	120-277	17	145mA	>0.90	<20%	0°F	<1.7
L48T8/8XX/15G-EB	1	120-277	20	171mA	>0.90	<20%	0°F	<1.7
L48T8/8XX/15G-EB-AC	1	120-277	19	158mA	>0.90	<20%	0°F	<1.7
L48T8/8XX/12G-EB	2	120-277	29	254mA	>0.90	<20%	0°F	<1.7
L48T8/8XX/15G-EB	2	120-277	36	297mA	>0.90	<20%	0°F	<1.7
L48T8/8XX/15G-EB-AC	2	120-277	33	270mA	>0.90	<20%	0°F	<1.7
L48T8/8XX/12G-EB-AC	2	120-277	30	280mA	>0.90	<20%	0°F	<1.7
L48T8/8XX/12G-EB-AC	1	120-277	17	150mA	>0.90	<20%	0°F	<1.7
L24T8/8XX/8G-EB	2	120-277	23	200mA	>0.90	<20%	0°F	<1.7

PERFORMANCE:

- Meets ANSI Standard C82.11
- Meets ANSI Standard C62.41
- Meets FCC Part 18 (Class A)
- Active Power Factor Correction

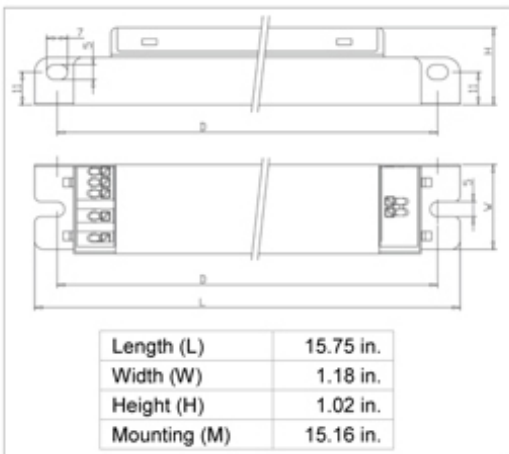
APPLICATION:

- Suitable for DC Operation: 160V - 300VDC
- Dimming range from 10 - 100%
- High Efficacy
- Instant Start Wiring

SAFETY:

- No PCB's
- UL, cUL classified
- RoHS Compliance
- OCV 350V

Physical Parameters



Wiring Diagram

