



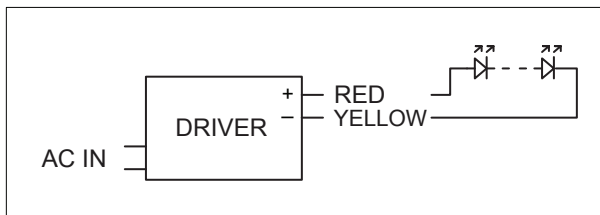
<b>LD-C307033-09</b>	
<b>Item No.: VEL3700120H</b>	
Family	ULTRON
Driver Type	Electronic
Input Voltage	120V
Input Frequency	60 Hz

**PRODUCT SPECIFICATIONS**

**LED DRIVER**

Max. Output Power (W)	Output Voltage (V)	Output Current (A)	Input Current at 120V (A)	Power Factor	Max. Hotspot Temp.
7.5	3.5 - 11.0	0.70	0.09	> 0.90	80°C

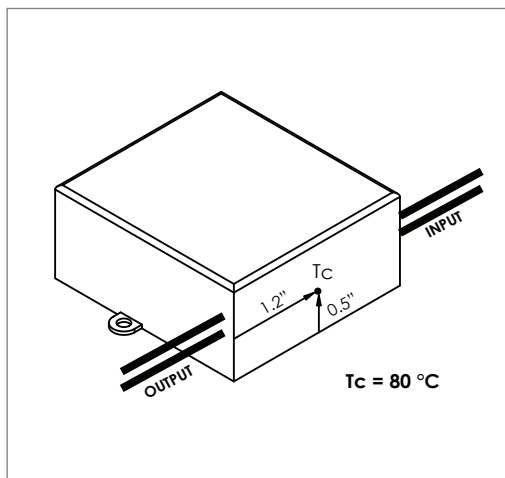
**Wiring Diagram**



**Performance**

- Flying leads for rapid connection
- For Dry and Damp locations
- Internal Thermal Protection
- Meets FCC/IC Requirements
- UL Class 2
- Constant Current Output
- Metal case for efficient heat dissipation
- Non-dimmable

**Hotspot Location**



**Physical Parameters**

Enclosure	in.
Length	2.4
Width	1.8
Height	1.1
Mounting	2.8

Lead Length (18AWG)	in. (±1)
Input Black	6
Input White	6
Output Red	5
Output Yellow	5

\*Lead length can be specified

Specification data is based on tests performed in a controlled environment and represents relative performance. Actual performance can vary depending on operating conditions. Application and performance data subject to change without notice. All specifications are nominal unless noted otherwise.

