
Specification

公司名称	
Espen Generic Part No.	
Espen Generic Model No.	VEL40090MVH-4

客户盖章回签		
确认	审核	批准

Output	Rated Current	900mA				
	Operating Voltage Range (min. ~ max.)	27-42V				
	Rated Power (W)	37.8W				
	Output Current ripple(0.5*(pk-pk)/avg)	30%				
	Start Time (Max. ms @ VAC)	<750ms @120VAC at full load				
	Output Current Regulation (%)	±5%				

Input	Frequency Range	50/60HZ				
	Input Voltage Range	120-277VAC+/-10%				
	Power Factor (Min.)	0.9@full load				
	THD (Max.)	20%@full load				
	Efficiency (typ. % @load)	88%@120Vac full load				
	Input AC Current (Max. @ VAC)	0.34A @120VAC				
	Inrush Current (Max.)	60A				
	Leakage Current (Max. @ VAC)	0.5mA @120VAC				

General Specifications		Data	Notes
	MTBF	>200,000 hours	Measured at 120VAC, 80% load, 25°C ambient (MIL-HDBK-217F)
	Max. Case Temp.	90°C	
	Life Rating	50,000 hours	measured at 120/277V, 100% load, TC=75°C

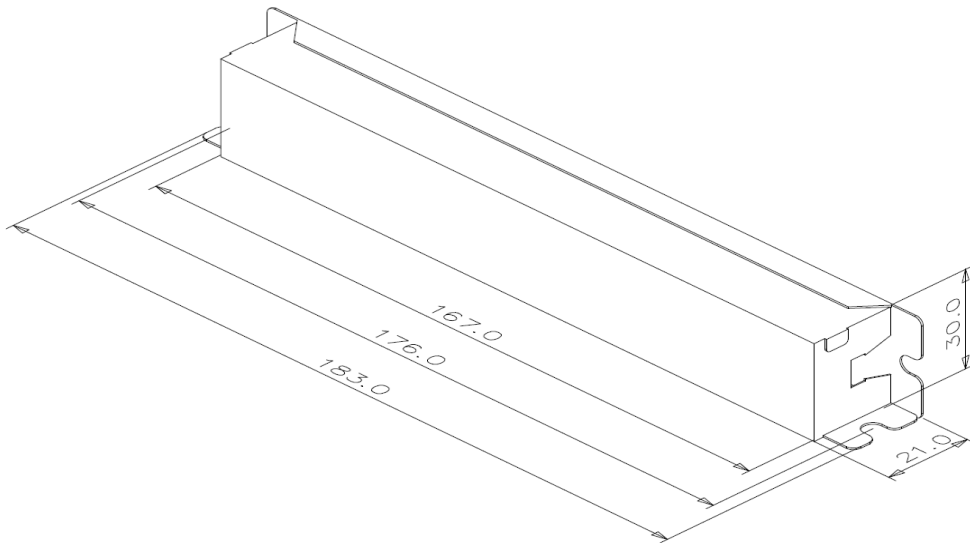
Protection	Type	
	Short Circuit	Auto recovery after fault condition is removed
	No Load Voltage (% min. ~ max.)	110%~119%
	Input Transient Protection	Power supply shall comply with IEEE C.62.41-1991, Class A operation. The line transient shall consist of seven strikes of a 100 kHz ring wave, 2.5kV level for both common mode and differential mode.
	Others	SCP, OVP

Environmental	Operating Temperature (min. ~ max.)	-20 ~ +50°C		
	Storage Temperature (min. ~ max.)	-25 ~ +85°C		
	Operating Humidity	20 ~ 85% RH		
	Storage Humidity	10 ~ 95% RH		
	Temperature Coefficient (%/C)	±0.03% / °C (0~40°C)		
	IP Rating	IP20		

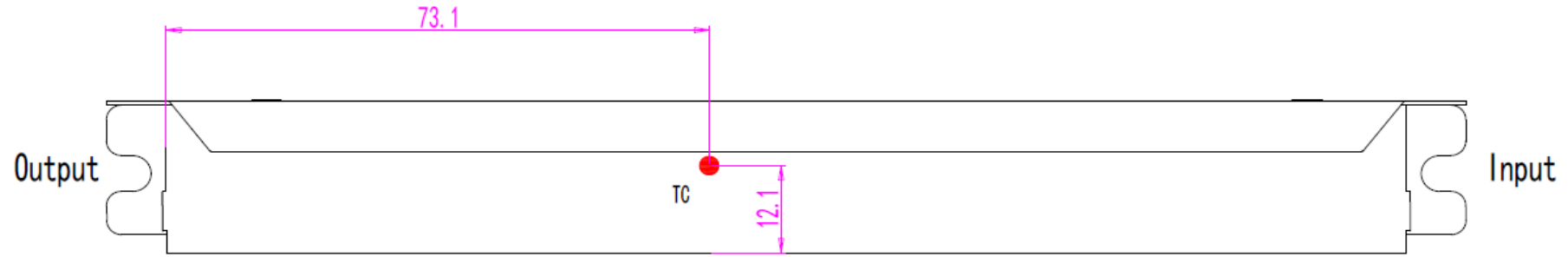
Safety & EMC	Safety Standards	UL, cUL, UL8750 Class 2
	Audible sound Level	<24dB (30 cm)
	EMI/EMC Standards	FCC Part 15 Class B

Physical Parameters		L	W	H	M		
	Dimensions(mm)	183	30	21	176		
	Net Weight						
	Input Leads (AWG, Length)	Line	Black single 18AWG 105°C 600V length 300mm(+/-25mm) wire stripping 10mm(+/-1mm)				
		Neutral	White single 18AWG 105°C 600V length 300mm(+/-25mm) wire stripping 10mm(+/-1mm)				
	Output Leads (Color, AWG, Length)	Positive	Red single 20AWG 105°C 600V length 400mm(+/-25mm) wire stripping 9mm(+/-1mm)				
	Negative	Blue single 20AWG 105°C 600V length 400mm(+/-25mm) wire stripping 9mm(+/-1mm)					
Packaging	QTY/CTN	Dimensions		Weight			

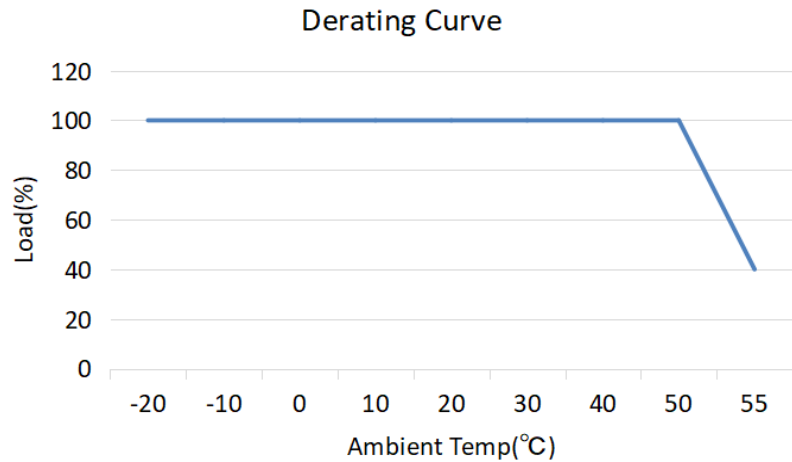
Line Drawing	Wiring Diagram
---------------------	-----------------------



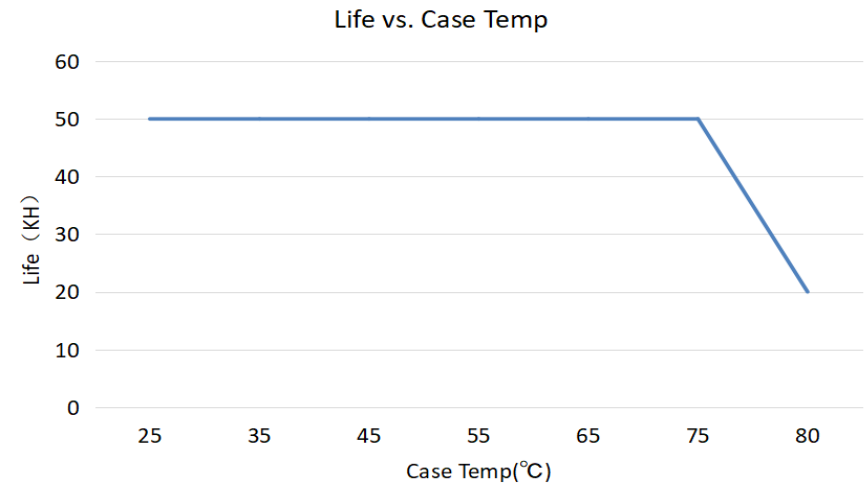
Tc test point placement



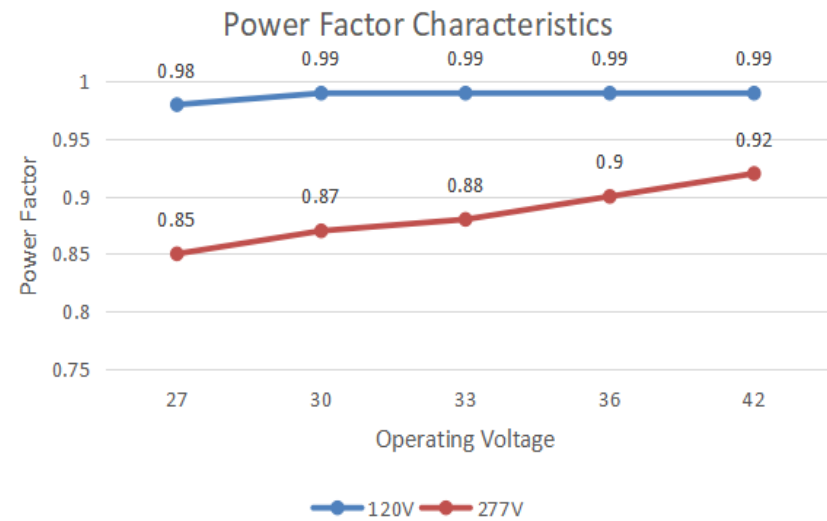
Derating Curve



Life vs. Case Temp



Power Factor Characteristics



Efficiency vs. Load

