



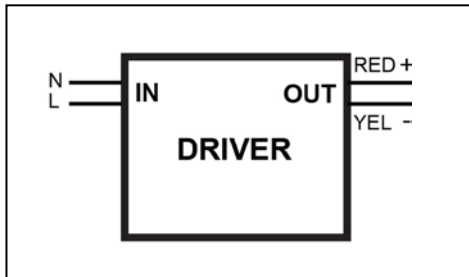
Item No.: VEL6700120H 10.50, V2, L	
Family	ULTRON
Driver Type	Electronic
Input Voltage	120V
Input Frequency	50/60 Hz
LED Type	500mA LED

PRODUCT SPECIFICATIONS

LED DRIVER

Max. Output Power (W)	Output Voltage (V)	Output Current (A)	Input Current at 120V (A)	Min. Operating Temp.	Max. Hotspot Temp.
16.5	18-33	0.50	0.14	-20°F/-29°C	176°F/80°C

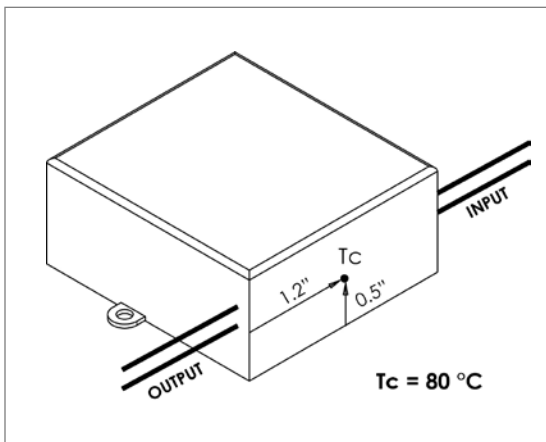
Wiring Diagram



Performance

- Flying leads for rapid connection
- For Dry & Damp Location
- Thermal protection
- Meets FCC Part 15
- UL Class 2
- Class B
- Non-dimmable

Hotspot Location



Physical Parameters

Enclosure	in.
Length (L)	2.40
Width (W)	2.40
Height (H)	1.13
Mounting (M)	2.85

Lead Length (18 AWG)	in. (±1)
Input Black	6
Input White	6
Output Red	5
Output Yellow	5

*Case color: Light Gray (Metal)

Specification data is based on tests performed in a controlled environment and represents relative performance. Actual performance can vary depending on operating conditions. Application and performance data subject to change without notice. All specifications are nominal unless noted otherwise.

