

## Esen Technology Extrusion Module Specification

### Description: Constant Current Linear LED

- For use in Class 2 lighting systems.
- Diffused lens.
- Suitable for DLC Applications.
- Meet UL8750.
- RoHS Compliant.

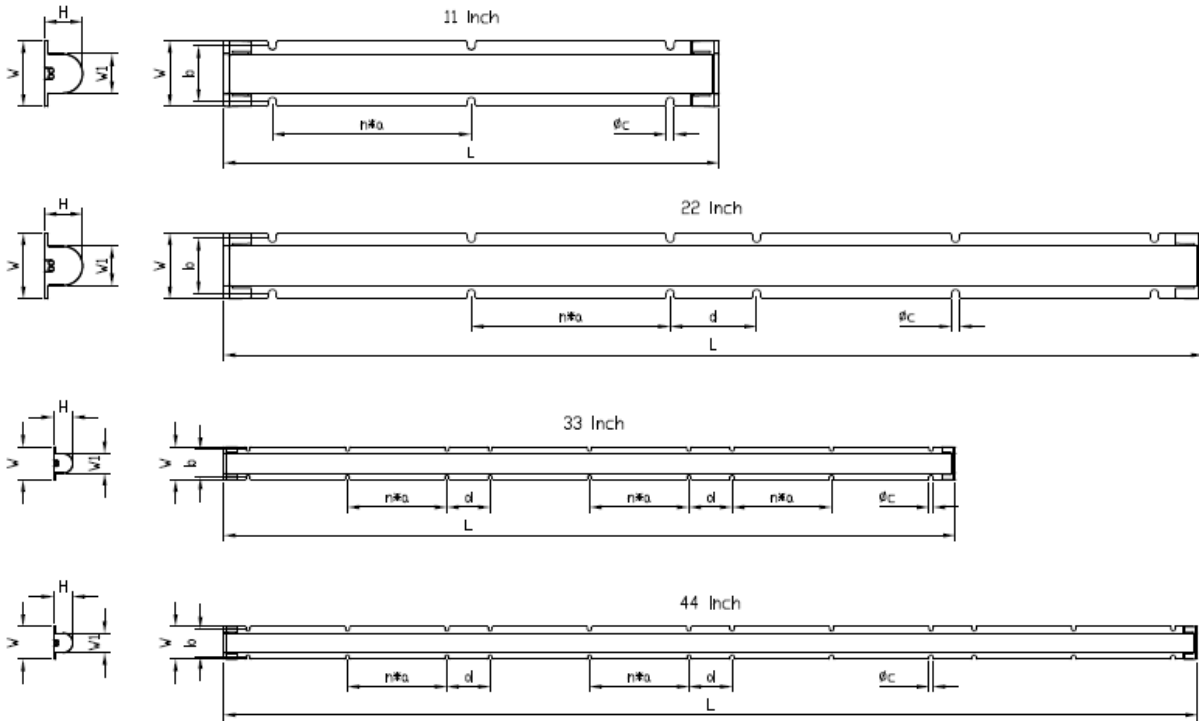
Esen model	Nominal Current (A)	Nominal Lumens(lm)	max. Volts (V)	Nomial Power (W)	CRI
VLM2409F/850	0.3	1220	30	9	>80
VLM3612F/850	0.3	1800	42	12	>80
VLM4813F/850	0.3	1820	45	13	>80
VLM4824F/HO/850	0.6	3420	42	24	>80
VLM4848F/VHO/850	1.2	6820	42	48	>80
VLM2409C/850	0.3	1390	30	9	>80
VLM3612C/850	0.3	1950	42	12	>80
VLM4813C/850	0.3	2080	45	13	>80
VLM4824C/HO/850	0.6	3900	42	24	>80
VLM4848C/VHO/850	1.2	7790	42	48	>80

### Application

- Min. Ambient Operating Temp.: - 22°F, -30°C
- Max. Ambient Operating Temp.: 113°F, 45°C

### Mechanical Dimensions

Esen model	L (in)	W(in)	W1(in)	H(in)	a(in)	c(in)	b(in)	d(in)
VLM2409F/850	22.31	1.5	0.9	0.87	4.53	0.18	1.26	1.97
VLM3612F/850	33.33	1.5	0.9	0.87	4.53	0.18	1.26	1.97
VLM4813F/850	44.35	1.5	0.9	0.87	4.53	0.18	1.26	1.97
VLM4824F/HO/850	44.35	1.5	0.9	0.87	4.53	0.18	1.26	1.97
VLM4848F/VHO/850	44.35	1.5	0.9	0.87	4.53	0.18	1.26	1.97



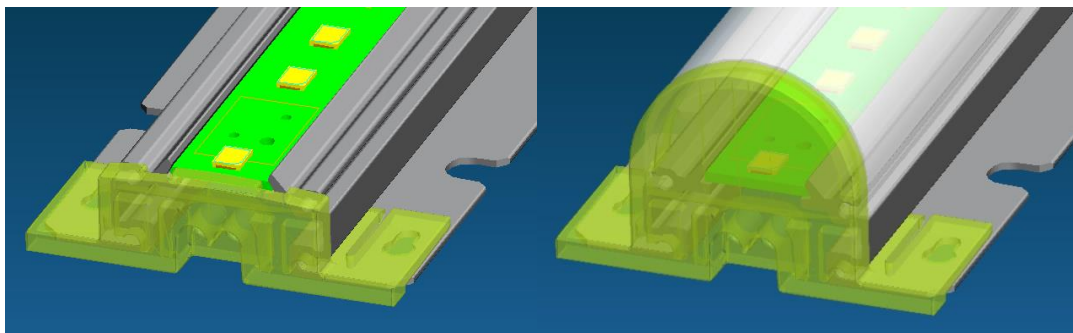
### CCT Options

LED Module Part Number	CCT	Lumen Multiplier
VLM4813F/830	3000K	90%
VLM4813F/835	3500K	91%
VLM4813F/840	4000K	96%
VLM4813F/850	5000K	100%

### Installation & Assembly Guidelines

#### Mounting

- This module should be mounted using the mounting holes provided.
- LEDs should not be contacted during installation to avoid damage.



Clear

Frosted