



VPL100-4C-030/036	
Driver Type	Constant Current Field Adjustable LED Driver
No. of Channels	4
Input Voltage	120-277 V
Input Frequency	50-60 Hz
Dimming	0-10V

### Features

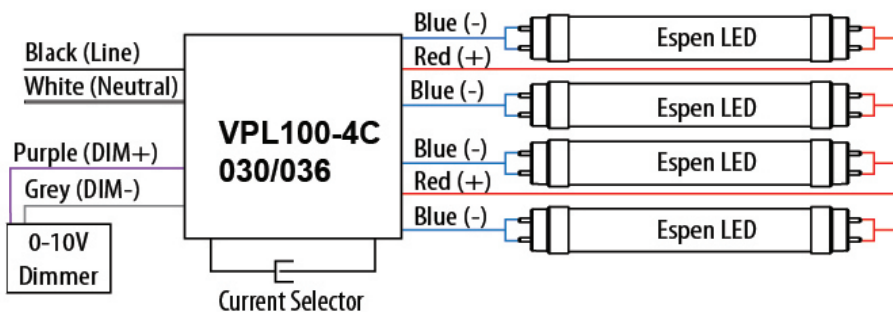
- Universal Voltage (120-277V)
- Multiple Output Channels
- Constant Current
- Per channel 300mA / 360mA
- 0-10V
- Integrates with Adaptive Lighting Control Systems
- Compatible with LED modules and Coretech LED tubes
- UL, cUL, UL8750 Class 2
- FCC Part 15 Class A



## CoreTech VPL PRODUCT SPECIFICATIONS

OUTPUT		INPUT	
No. of Channels	3    4	Frequency	50-60Hz
No. of Coretech LED Lamps	3    4	Input Voltage (range)	120-277 VAC
Output Voltage (Range)	20-46VDC	Power Factor (min.)	0.9 @ full load 277VAC
Output Current Range (Programmable @ full load)	300mA / 360mA	THD (max.)	20% @ full load 110AC
Total Rated Power	66W	Efficiency (typical)	0.86

### Wiring diagram

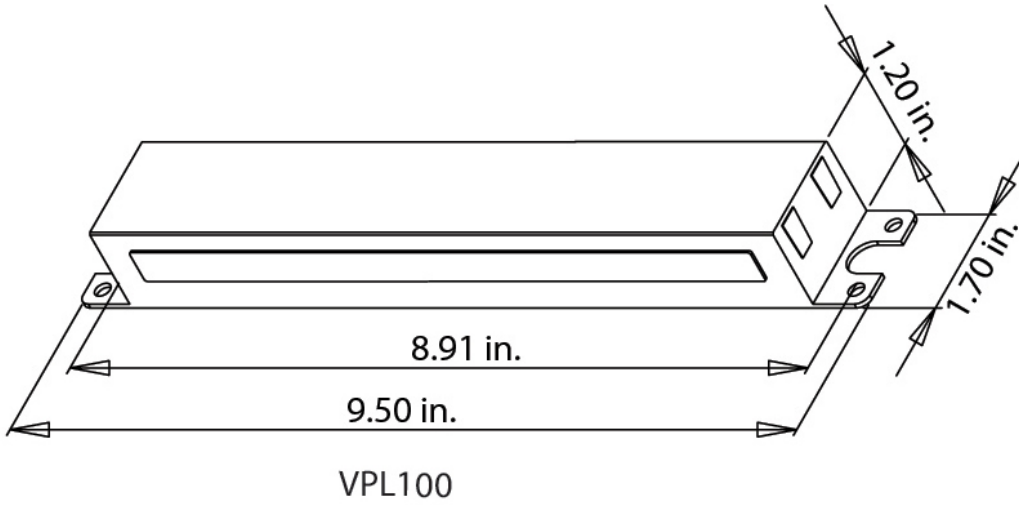


Current Selector Close = (300mA)



Current Selector Open = (360mA)

## Dimension



Specification data is based on tests performed in a controlled environment and represents relative performance. Actual performance can vary depending on operating conditions. Application and performance data subject to change without notice. All specifications are nominal unless noted otherwise.

Espen Technology, Inc. | 12257 Florence Avenue | Santa Fe Springs, CA 90670 | Phone: (562) 529-2938 | Fax: (562) 529-2978  
Toll Free: (866) 933-7736 | Email: [info@espentech.com](mailto:info@espentech.com) | [www.espentech.com](http://www.espentech.com)