



Specification Data

Espen Generic Part No.	0202000055
Espen Generic Model No.	VPL50-120-MVHDA-PD-1C (27)



Output	Rated Current	1200mA					
	Operating Voltage Range (min. ~ max.)	28-41V					
	Rated Power (Max @W)	50W					
	Output Current ripple(ripple = pk-pk/avg)	<u>6%@1200mA</u>					
	Start Time (Max. ms @ VAC)	1000ms / @ 120VAC @ rated load					
	Output Current Regulation (%)	± 5%					
	Output Dimming Range (%)	10%~100%					

Input	Frequency Range	47 ~ 63 Hz					
	Input Voltage Range (±10%)	120-277 VAC (±10%)					
	Power Factor (Min.)	0.9 at full load					
	THD (Max.)	20%					
	Efficiency (typ. %@120VAC)	85.0%					
	Input AC Current (Max. @ VAC)	0.45A @ 120VAC at full load					
	Inrush Current (Max.)	277VAC @ 25 DEG C: <28Amp peak					
	Leakage Current (Max. @ VAC)	1.5mA / 120VAC					

	Data	Notes
General Specifications		
Dimming Type	DC DIMMING	0-10V
Dimming Range	10% ~ 100%	
0-10v Dimming Interface Current	<2mA	
MTBF	>200,000hrs	calculated to MIL-HDBK217F @ 25 DEG C. rated load. Ground Benign.
Max. Case Temp.	85°C	
Life Rating (@ 100%Load, @ 85°C Tc.)	50,000 hours	Measured at 120/277VAC, 100% load, 85°C Tc.
Warranty	5-years Limited Warranty	



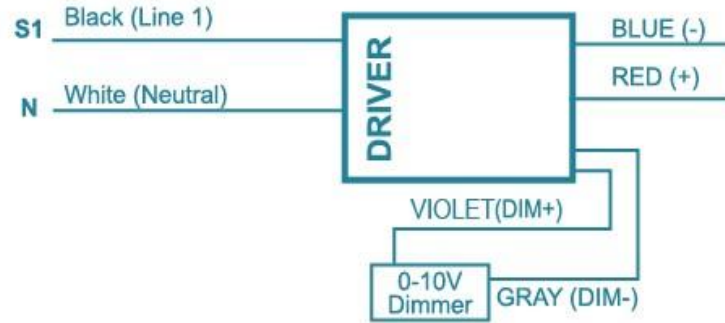
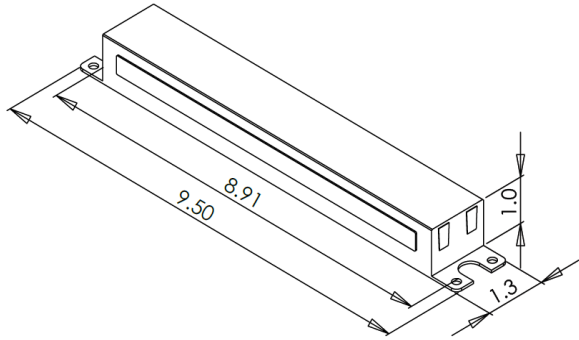
Protection	Type	
	Over Power	the driver always works within a safe working area power curve
	No Load Voltage (% min. ~ max.)	Vomax ~ 110% Vomax
	Short Circuit	current limit protection
	Input Transient Protection	Power supply shall comply with IEEE C.62.41-1991,Class A operation.The line transient shall consist of seven strikes of a 100 kHz ring wave,2.5kV level for both common mode and differential mode.
Others	Over Temperature Protection, No load protection	

Environmental	Operating Temperature (min. ~ max.)	-30 ~ +50°C
	Storage Temperature (min. ~ max.)	-40~ +80°C
	Operating Humidity	20 ~ 95% RH
	Storage Humidity	10 ~ 95% RH
	Temperature Coefficient (%/C)	±0.03% / °C (0~50°C)
	Application	For Dry and Damp location

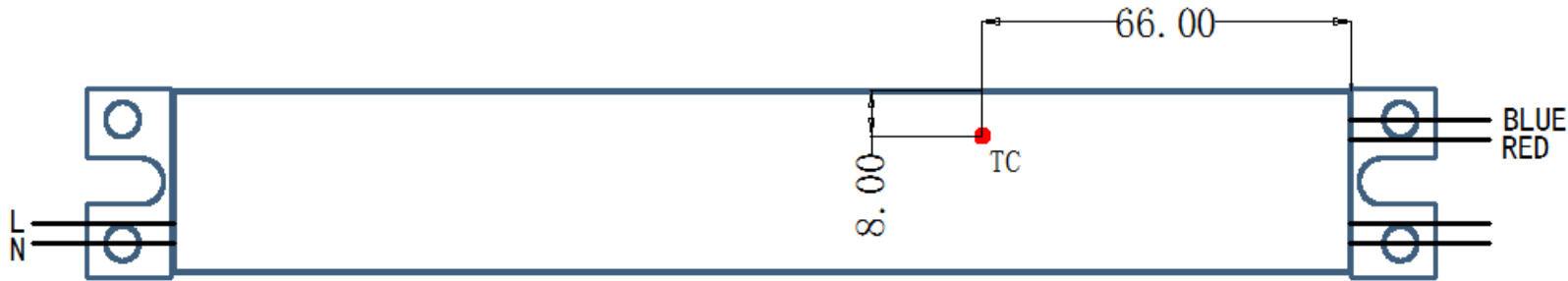
Safety & EMC	Safety Standards	UL, cUL, UL8750 Class 2;UL1310;CSA C22.2 No. 250.13-12
	EMI/EMC Standards	FCC Part 15 Class A, Compliance to EN 61547/1995+A1/2000

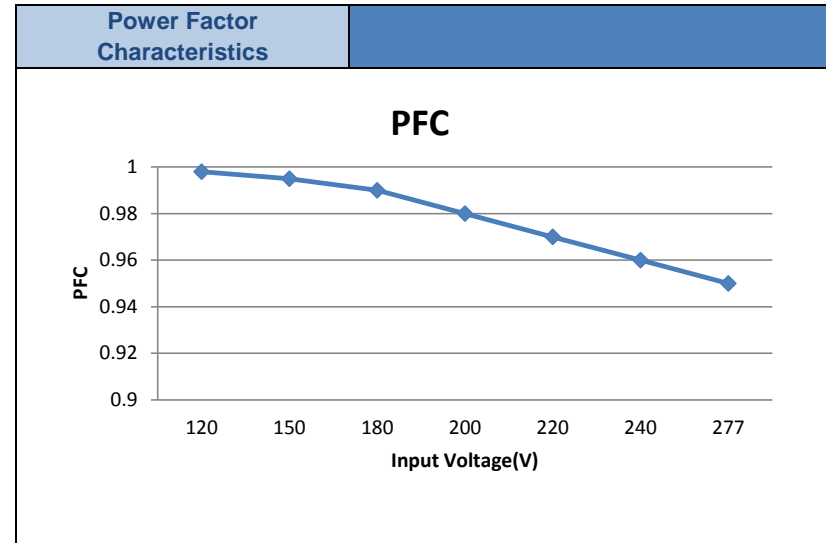
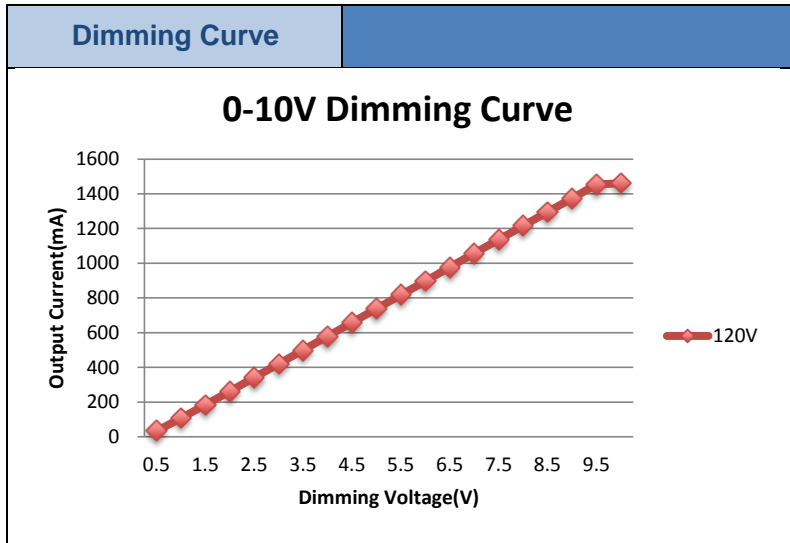
Physical Parameters		L	W	H	M		
	Dimensions (Inches)	9.5"	1.3"	1"	8.91"		
	Net Weight (lbs.)	1 lbs.					
	Input Leads (AWG, Length)	Line	Black single 18AWG 105°C 600V length 500mm(+/-25mm) wire stripping 10mm(+/-1mm)				
		Neutral	White single 18AWG 105°C 600V length 500mm(+/-25mm) wire stripping 10mm(+/-1mm)				
	Output Leads (Color, AWG, Length)	Positive	Red single 20AWG 105°C 600V length 800mm(+/-25mm) wire stripping 8mm(+/-1mm)				
		Negative	Blue single 20AWG 105°C 600V length 800mm(+/-25mm) wire stripping 8mm(+/-1mm)				
		Dimming+	Violet single 18AWG 105°C 600V length 800mm(+/-25mm) wire stripping 10mm(+/-1mm)				
		Dimming-	Gray single 18AWG 105°C 600V length 800mm(+/-25mm) wire stripping 10mm(+/-1mm)				
	Packaging	QTY/CTN		Dimensions (in.)		Weight (lbs.)	
NA		NA		NA			

Line Drawing	Wiring Diagram
--------------	----------------



Tc test point placement	
-------------------------	--





Dimmer Compatibility List	Dimmer Manufacturer	Dimmer Model No.
	EASEIC	EID110U
	LEVITON	AWSMT716