

VTSC G1 - LED Vapor Tight - Controls Ready



CONTROL XP



(Images are shown for illustration purposes only)

Project:

Product #:

Type:

KEY FEATURES

- Power selectable, durable, vapor tight strip.
- Controls flexible with preinstalled audio-jack sensor receptacle and optional elbow.
- 5 year warranty.
- Sealed housing.
- 0-10V dimming.



SPECIFICATIONS

Housing

Light gray polycarbonate housing with stainless steel latches, frosted polycarbonate lens.

Ambient Temperature

-40° C to 50° C (-40° F to 122° F) suspended mount (at least 18").
-40° C to 45° C (-4° F to 122° F) surface mounted.

Finish

Gray.

Mounting

Surface and Suspended (cable/chain) mounting - includes V-hooks, surfacing mount bracket, and cord grip.

Efficacy

Up to 130 lumens per watt.

UL94

5VA flame classification.

CCT and CRI

3500K, 4000K, and 5000K - 80 CRI

Lifespan

L70 > 100,000 hours @ 25°C.

Warranty

5-year limited warranty. Comprehensive warranty terms can be located on www.slgus.com.

Electrical

Standard voltage 120-277V. 0-10V dimming driver with dim-to-off voltage threshold 0.1V to 0.5V.

Certifications

UL Listed. FCC compliant. IP66 rated. Design Lights Consortium® (DLC) 5.1 qualified product listed.

ORDERING GUIDE

Example: VTSC 4 LS60 G1 FSK

Fixture Type	Size	Selectable Lumen Output	Generation	Voltage	CCT	Finish
• VTSC LED Vapor Tight Strip	• 2'	• LS33 1,950 Lm / 15 W 2,600 Lm / 20 W 3,250 Lm / 25 W	• G1 First Generation	• BLANK 120-277V	• FSK 3500K 4000K 5000K - 80 CRI	• BLANK White
	• 4'	• LS60 4,500 Lm / 34 W 4,940 Lm / 38 W 5,850 Lm / 45 W				
	• 8'	• LS120 7,800 Lm / 60 W 9,750 Lm / 75 W 11,700 Lm / 90 W				

For stocking opportunities please reach out to your local SLG Lighting rep or contact sales@slgus.com.

Leadtimes may vary based on current inventory levels - always consult your local SLG Lighting rep for leadtimes and project needs.

ACCESSORIES

Controls Elbow	Sensors	Emergency Backup	Mounting
<p>• MS-EAD-MF35* Adjustable elbow for motion sensor/node.</p> <p>*MS-EAD-MF35 is needed for every control/sensor option. We can not process a controls order with out the elbow/extender.</p>	<p>• MSB-DCE-06-BT5.0 Networked Motion Sensor L3 Medium Bay Lens L7 High Bay Lens</p> <p>• FCB-DCE-02-BT5.0 Bluetooth Plug-in Controller Node</p> <p>• MS-DCE-09-L7 Standalone Motion Sensor</p> <p>• RM-06 Remote control for motion sensor</p>	<p>• EMD-DH08D-UNV-055 8W Emergency Battery Kit</p>	<p>• V-HOOK Suspended Mount Kit (default)</p>

Accessories shown are generally stocked items, for additional accessories questions and options please contact your local SLG Lighting rep or email sales@slgus.com. Options for spec needs available through special request - please contact sales@slgus.com with spec needs and project size.

Due to continuous product improvements, specification and/or equipment updates may change without notice.

PERFORMANCE INFORMATION

Series Number	Power Setting	Wattage	Lumens (3500K)	Efficacy	Lumens (4000K)	Efficacy	Lumens (5000K)	Efficacy
VTSC 2 LS33 G1 FSK	Max	25 W	3,250 Lm	130 Lm/W	3,250 Lm	130 Lm/W	3,250 Lm	130 Lm/W
	Medium	20 W	2,600 Lm	130 Lm/W	2,600 Lm	130 Lm/W	2,600 Lm	130 Lm/W
	Low	15 W	1,950 Lm	130 Lm/W	1,950 Lm	130 Lm/W	1,950 Lm	130 Lm/W
VTSC 4 LS60 G1 FSK	Max	45 W	5,850 Lm	130 Lm/W	5,850 Lm	130 Lm/W	5,850 Lm	130 Lm/W
	Medium	38 W	4,940 Lm	130 Lm/W	4,940 Lm	130 Lm/W	4,940 Lm	130 Lm/W
	Low	34 W	4,500 Lm	132 Lm/W	4,500 Lm	132 Lm/W	4,500 Lm	132 Lm/W
VTSC 8 LS120 G1 FSK	Max	90 W	11,700 Lm	130 Lm/W	11,700 Lm	130 Lm/W	11,700 Lm	130 Lm/W
	Medium	75 W	9,750 Lm	130 Lm/W	9,750 Lm	130 Lm/W	9,750 Lm	130 Lm/W
	Low	60 W	7,800 Lm	130 Lm/W	7,800 Lm	130 Lm/W	7,800 Lm	130 Lm/W

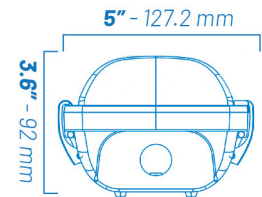
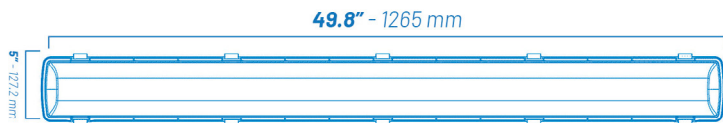
Performance data based on vigorous, industry standard testing and has been verified by lab results.

DIMENSIONS

VTSC - 2 Foot



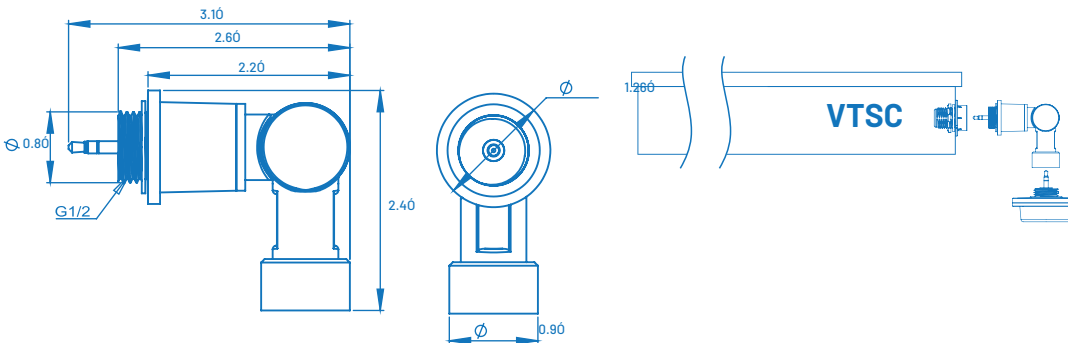
VTSC - 4 Foot



VTSC - 8 Foot



MS-EAD-MF35 - Sensor Elbow



Due to continuous product improvements, specification and/or equipment updates may change without notice.

ELECTRICAL LOAD

Series Number	Power	Wattage	120V	208V	240V	277V
VTSC 2 LS33 G1 FSK	Max	25 W	0.21	0.12	0.10	0.09
	Medium	20 W	0.17	0.10	0.08	0.07
	Low	15 W	0.13	0.07	0.06	0.05
VTSC 4 LS60 G1 FSK	Max	45 W	0.38	0.22	0.19	0.16
	Medium	38 W	0.32	0.18	0.16	0.14
	Low	34 W	0.28	0.16	0.14	0.12
VTSC 8 LS120 G1 FSK	Max	90 W	0.75	0.43	0.38	0.33
	Medium	75 W	0.63	0.36	0.32	0.27
	Low	60 W	0.5	0.29	0.25	0.22

DLC ID

Product number	ID #
VTSC 2 LS33 G1 FSK	S-DHRCBY
VTSC 4 LS60 G1 FSK	S-SWFW7Z
VTSC 8 LS120 G1 FSK	S-3R141J

SHIPPING INFORMATION

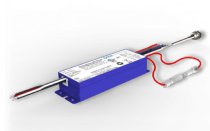
Product number	Individual box size	Master Carton Size	QTY Per Carton
VTSC 2 LS33 G1 FSK	26.34" x 5.2" x 3.5"	26.93" x 10.98" x 7.91"	4 PCS
VTSC 4 LS60 G1 FSK	51.50" x 5.28" x 3.58"	51.97" x 11.30" x 7.99"	4 PCS
VTSC 8 LS120 G1 FSK	95.79" x 5.24" x 3.66"	96.65" x 10.83" x 7.95"	4 PCS

Fixtures ship 1 per box and specific dimensions may change without notice due to improvements.

ACCESSORIES OVERVIEW



V-HOOK
(Included mounting equipment)



EMD-DH08D-UNV-55
8W Emergency Backup



MS-EAD-MF35
Adjustable elbow, Male to female 3.5 mm plug-in extension.



MSB-DCE-06-BT5.0
Bluetooth Motion Sensor with controller



FCB-DCE-02-BT5.0
Bluetooth Controller



MS-DCE-09-L7
Motion Sensor

Due to continuous product improvements, specification and/or equipment updates may change without notice.

BLUETOOTH MOTION SENSOR



MSB-DCE-06-BT5.0
(Pictured with L7 lens)

SPECIFICATIONS

Input Voltage DC 12V	Bluetooth Transmit 200 ft. Max
IP Rating IP66	Radio Frequency 2.4 GHz +- 75 MHz
Input Current 50mA Max	Mounting Height 20 - 40 ft
Input Power 0.6 W	Dimming Class 2, 0-10V DC 10mA Max
Output Voltage DC 10V	Detection Range 40 - 80 ft
Output Current 10mA Max	Operating Temperature -30°C to 55°C (-22°F to 131°F)
Output Power 0.1W	Warranty 5 Year warranty
Sinking Current 10mA Max	

COMMISSION

This Bluetooth sensor/controller is easily commissioned via the SLG Sync app, available for download on Google Play and the App Store.

APP DOWNLOAD



For commissioning guide and more information visit:
www.slgsync.com

STANDALONE MOTION SENSOR



MS-DCE-09-L7

SPECIFICATIONS

Input Voltage DC 12V	IP Rating IP65
Input Current <30mA	Detection Range > 9 ft
Voltage Range 10 - 15VDC	Mounting Height Up to 40 ft
Output Power 0.1W	Dimming 0-10V
Detection Angle 120°	Operating Temperature -20°C to 60°C (-4°F to 140°F)
	Warranty 5 Year warranty

COMMISSION

This basic sensor is commissioned via the RM06 remote. Either pre-commissioned or commissioned on site.



RM06

Due to continuous product improvements, specification and/or equipment updates may change without notice.